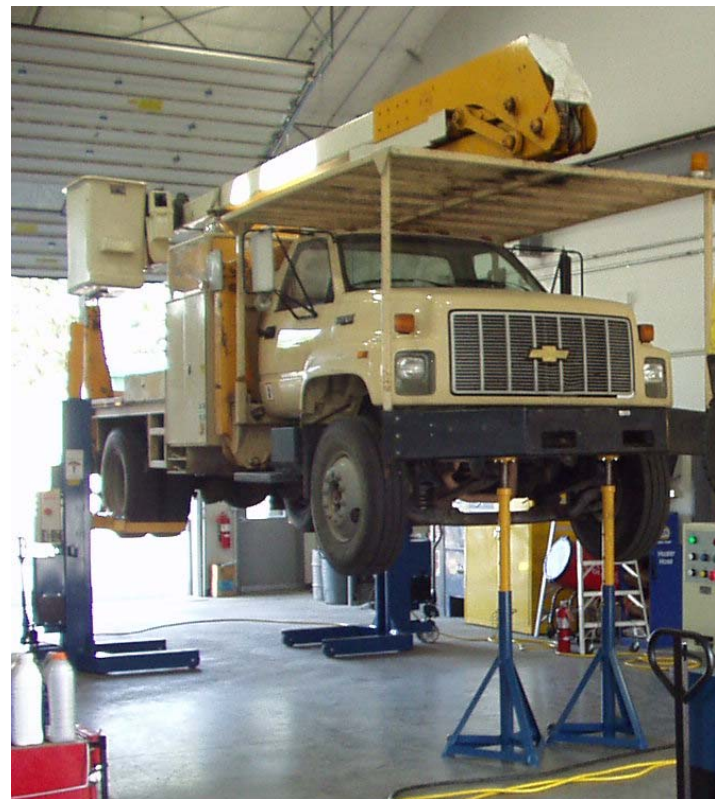




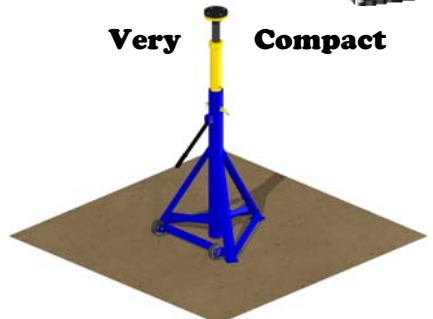
EQUIPMENT & ENGINEERING INC.

18,000 lb Jack Stands

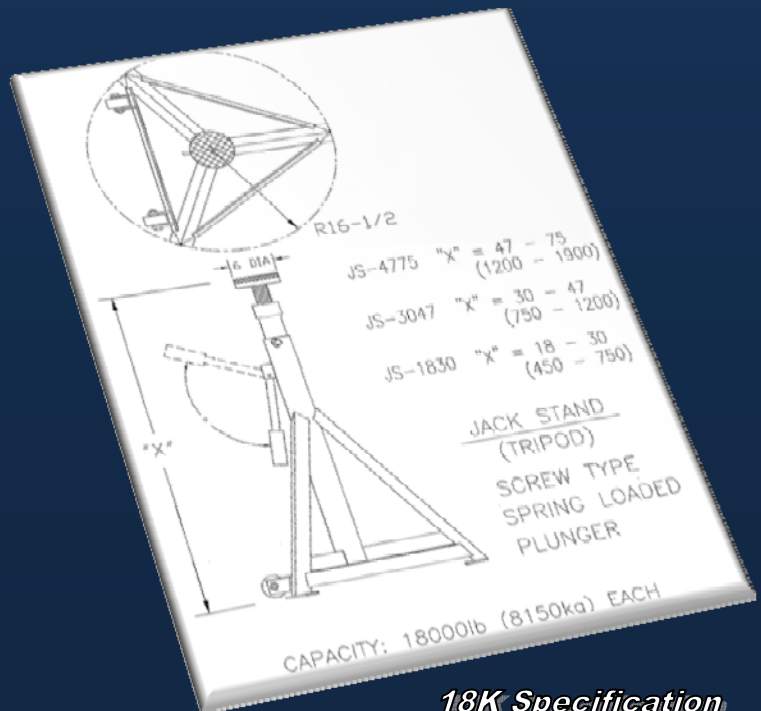
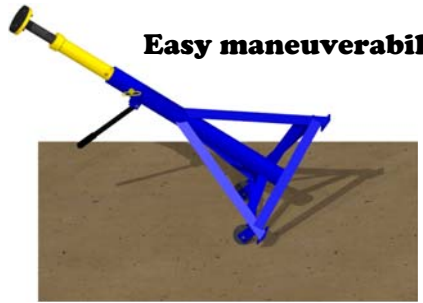


Our line of jack stands range from 18,000 lb capacity to up to 40,000 lb capacities and come in various heights to suit the most particular of applications. The contact adapter on the top of the jack stand usually comes as a rubber pad, although some heavy duty applications call for a hardwood type of contact pad. The pad is attached to an acme screw and nut type configuration offering the versatility of infinite adjustment between the lowest and highest possible setting of the particular jack stand.

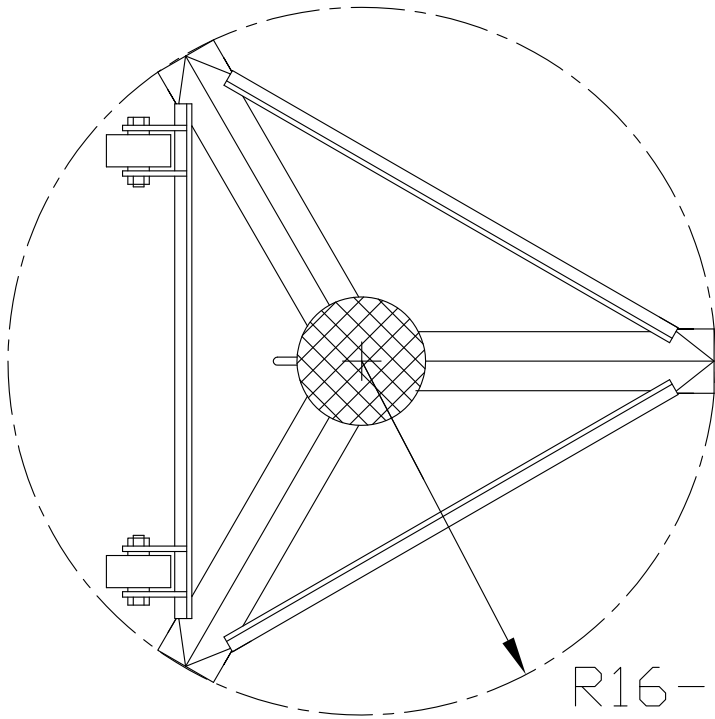
Very Compact



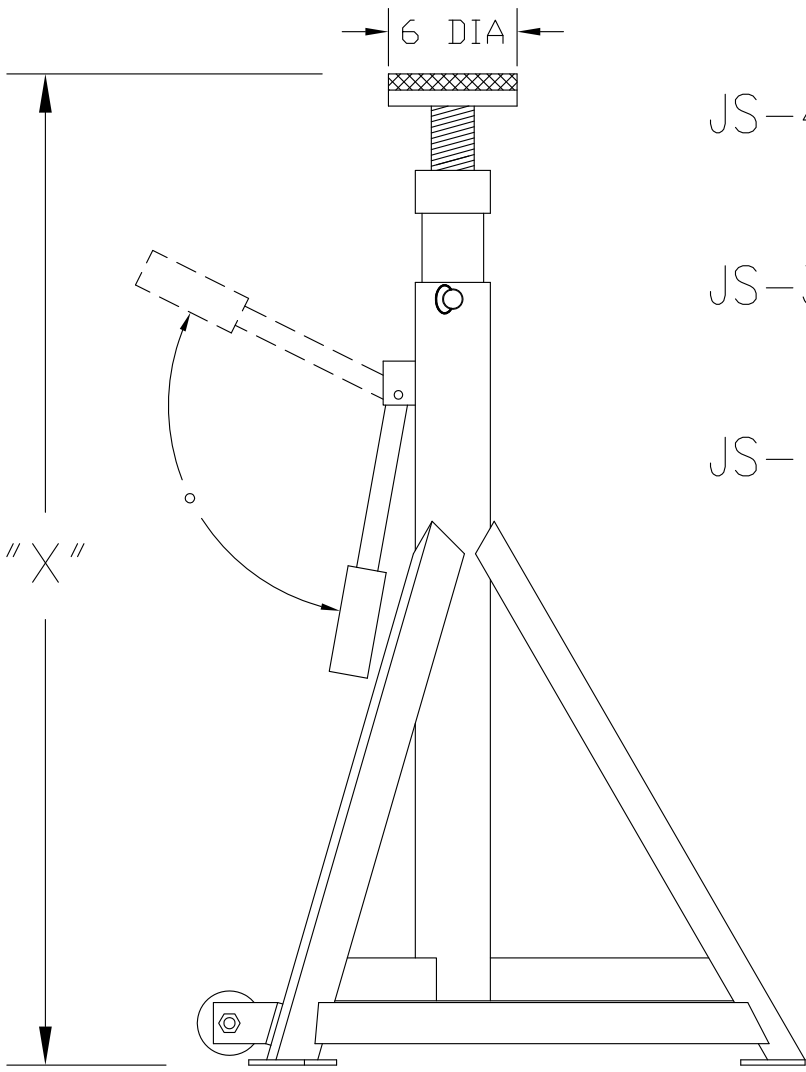
Easy maneuverability



18K Specification



R16-1/2



JS-4775 "X" = 47 - 75
(1200 - 1900)

JS-3047 "X" = 30 - 47
(750 - 1200)

JS-1830 "X" = 18 - 30
(450 - 750)

JACK STAND

 (TRIPOD)

SCREW TYPE
 SPRING LOADED
 PLUNGER

CAPACITY: 18000lb (8150kg) EACH