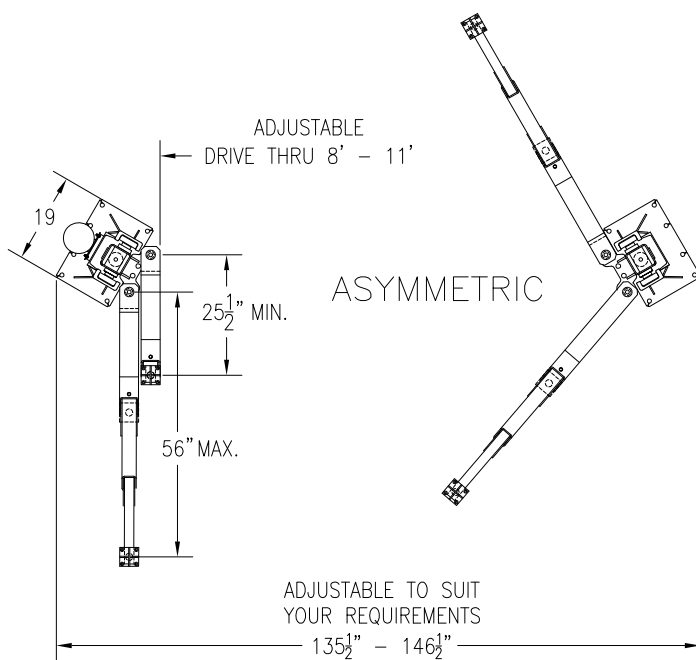
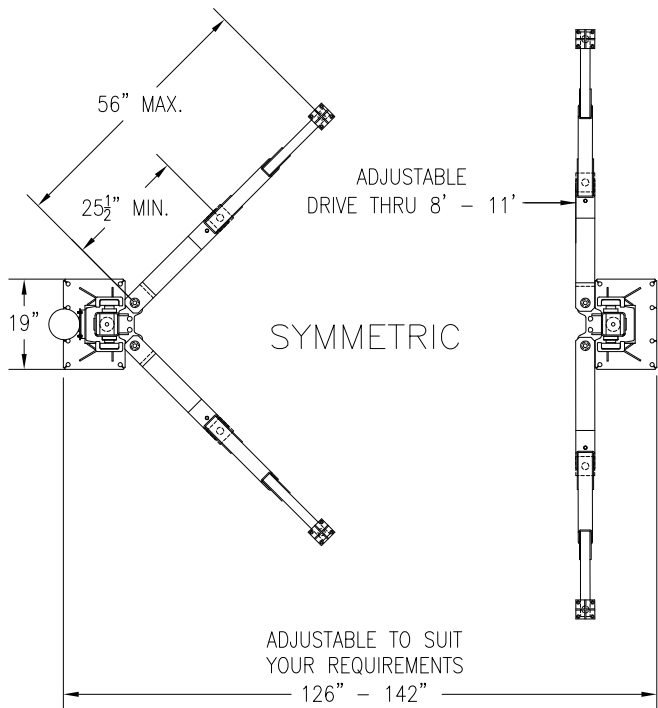
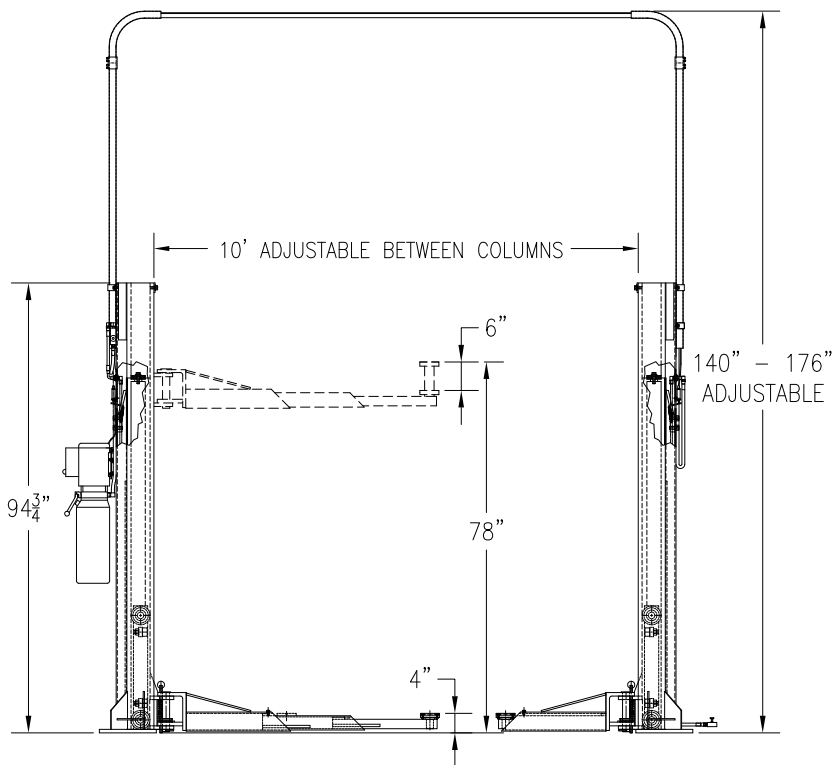


# TWO-POST LIFT MODEL: PK10-B

CAPACITY - 10,000 LBS  
 RISE: 78"  
 MINIMUM CEILING HEIGHT  
 REQUIRED: 148"  
 MOTOR: 2 HP  
 VOLTAGE: 1 phase, 208-230V  
 optional: 3 phase, 230-460V

## FEATURES:

1. FORKLIFT MAST CHANNEL & ROLLERS
2. CLEAR FLOOR
3. NO OVERHEAD BEAM
4. NO EQUALIZING CABLES
5. LOW PROFILE ARMS
6. A SINGLE POINT LOCK RELEASE
7. ARM RESTRAIN
8. THREE STAGE ARMS

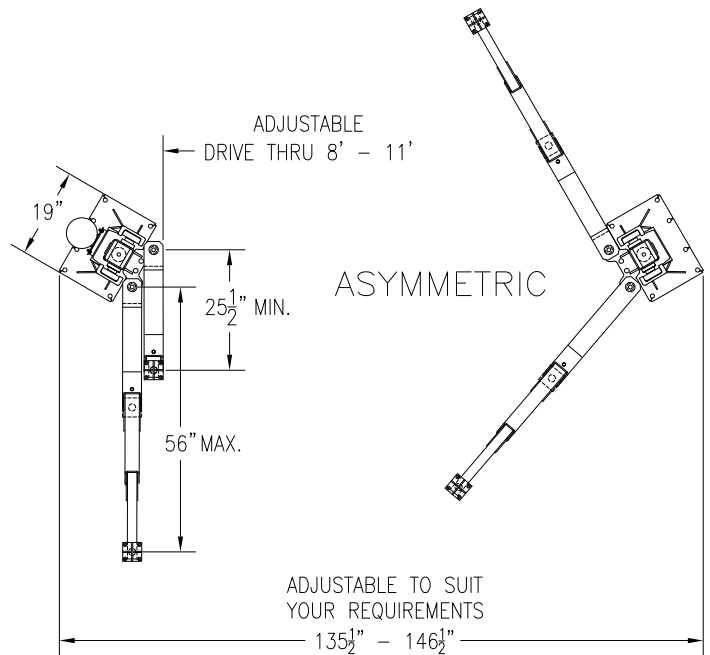
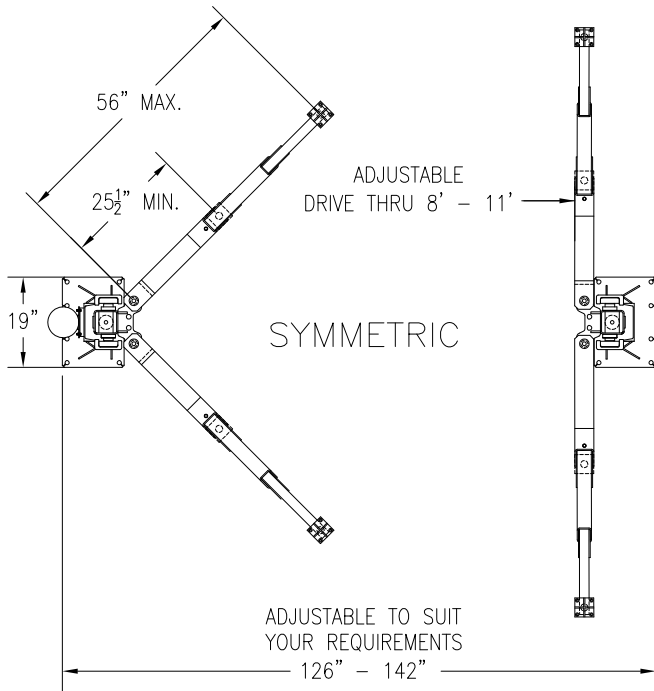
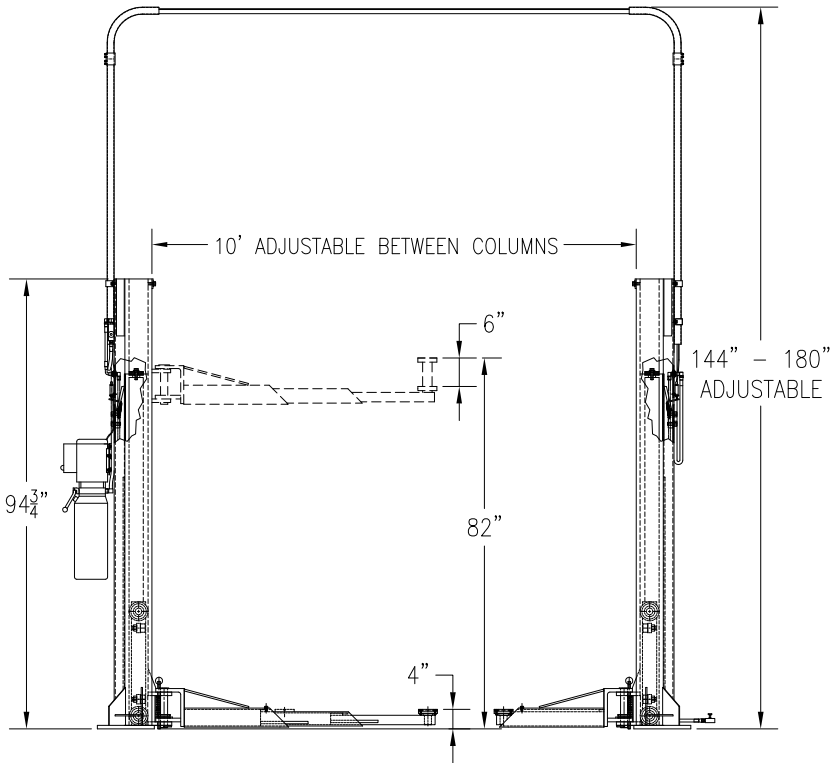


# TWO-POST LIFT MODEL: PK10-BH

CAPACITY – 10,000 LBS  
 RISE: 82"  
 MINIMUM CEILING HEIGHT  
 REQUIRED: 152"  
 MOTOR: 2 HP  
 VOLTAGE: 1 phase, 208-230V  
 optional: 3 phase, 230-460V

## FEATURES:

1. FORKLIFT MAST CHANNEL & ROLLERS
2. CLEAR FLOOR
3. NO OVERHEAD BEAM
4. NO EQUALIZING CABLES
5. LOW PROFILE ARMS
6. A SINGLE POINT LOCK RELEASE
7. ARM RESTRAIN
8. THREE STAGE ARMS

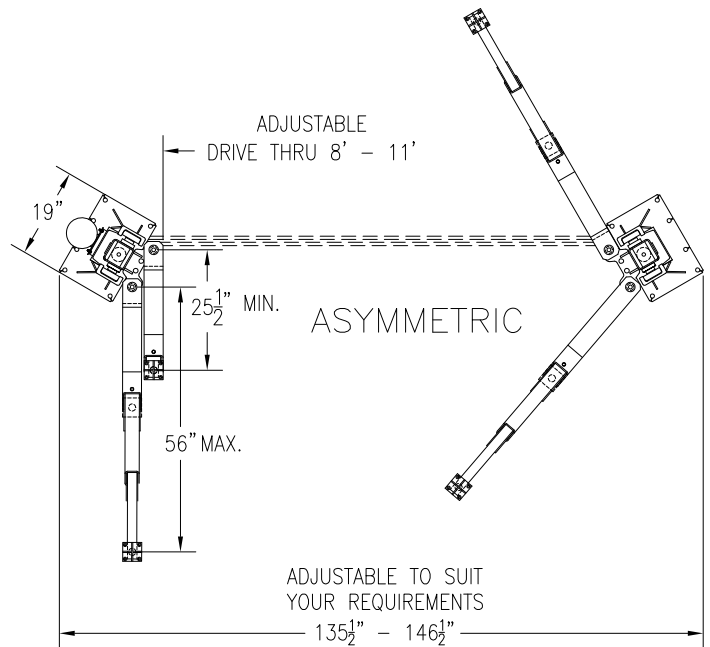
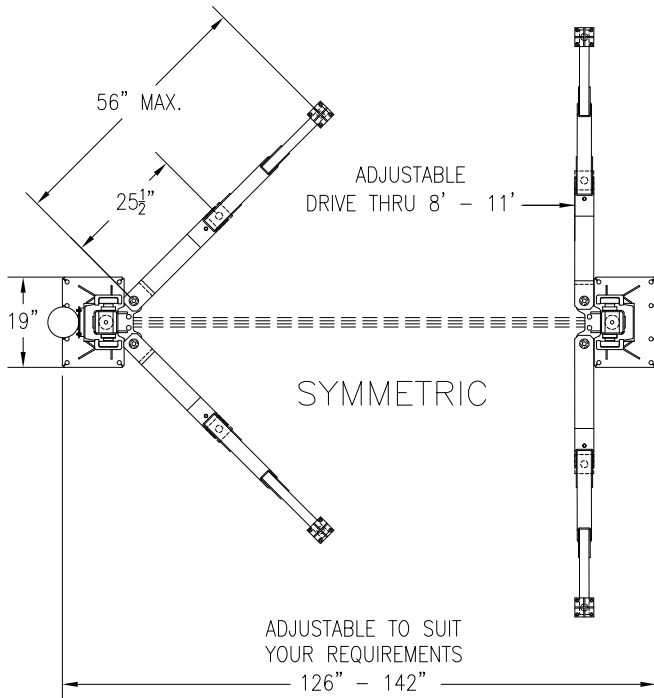
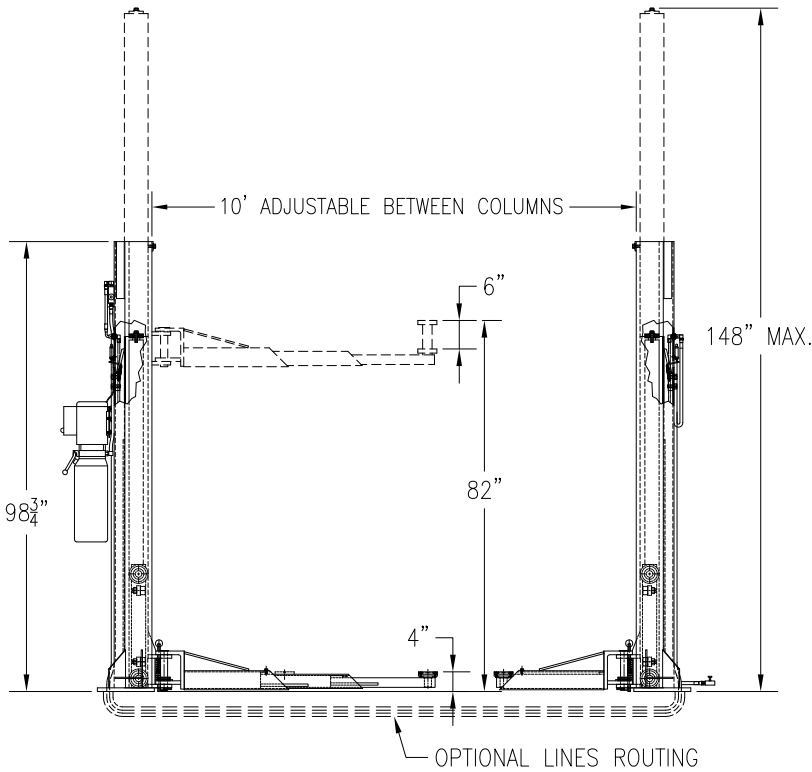


# TWO-POST LIFT MODEL: PK10-BH

CAPACITY – 10,000 LBS  
 RISE: 82"  
 MINIMUM CEILING HEIGHT REQUIRED: 152"  
 MOTOR: 2 HP  
 VOLTAGE: 1 phase, 208-230V  
 optional: 3 phase, 230-460V

## FEATURES:

1. FORKLIFT MAST CHANNEL & ROLLERS
2. CLEAR FLOOR
3. NO OVERHEAD BEAM
4. NO EQUALIZING CABLES
5. LOW PROFILE ARMS
6. A SINGLE POINT LOCK RELEASE
7. ARM RESTRAIN
8. THREE STAGE ARMS



# TWO-POST LIFT MODEL: PK10-B

CAPACITY – 10,000 LBS  
 RISE: 78"  
 MINIMUM CEILING HEIGHT  
 REQUIRED: 148"  
 MOTOR: 2 HP  
 VOLTAGE: 1 phase, 208-230V  
 optional: 3 phase, 230-460V

## FEATURES:

1. FORKLIFT MAST CHANNEL & ROLLERS
2. CLEAR FLOOR
3. NO OVERHEAD BEAM
4. NO EQUALIZING CABLES
5. LOW PROFILE ARMS
6. A SINGLE POINT LOCK RELEASE
7. ARM RESTRAIN
8. THREE STAGE ARMS

