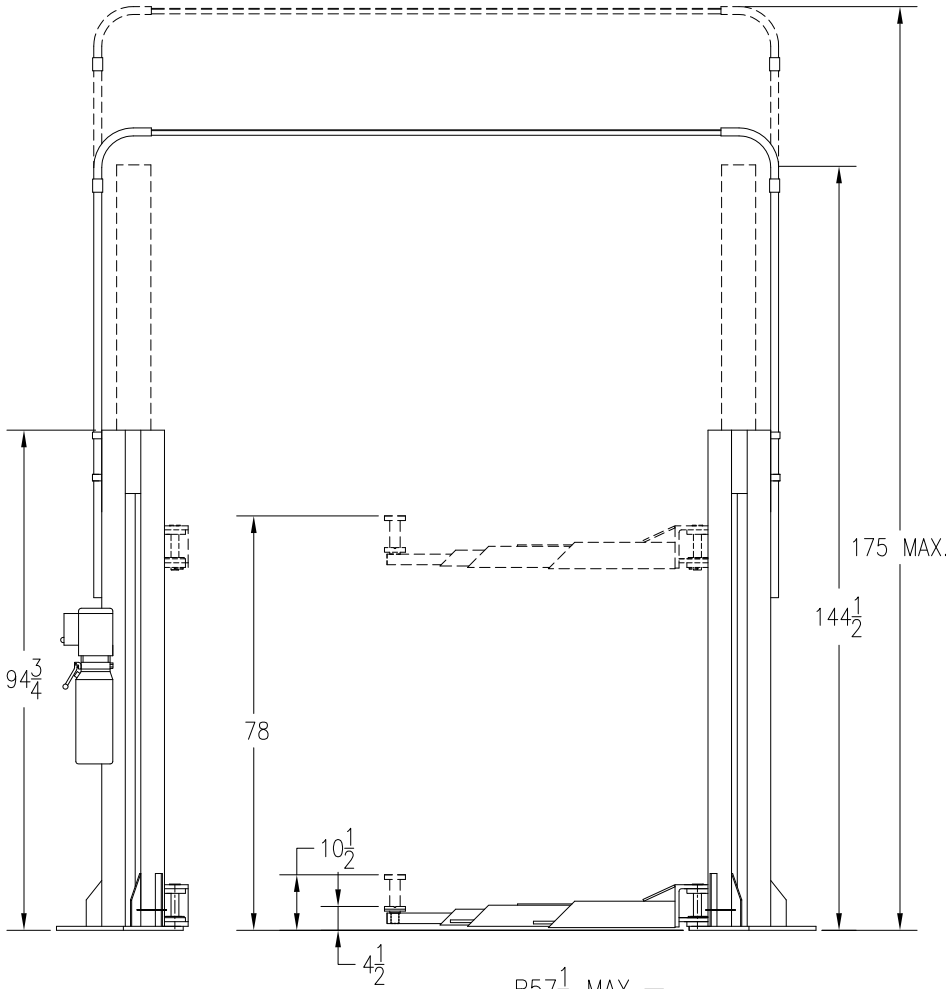


TWO-POST LIFT MODEL: PK12A-B



CAPACITY - 12,000 LBS
RISE: 78"

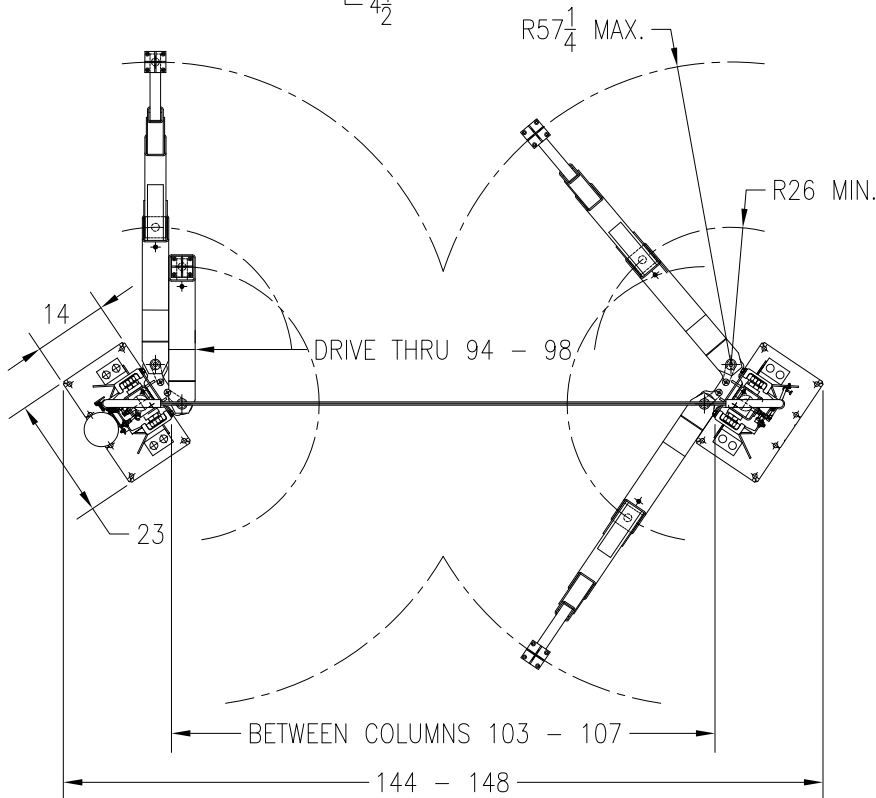
MINIMUM CEILING HEIGHT
REQUIRED: 148"

MOTOR: 2 HP

VOLTAGE: 1 phase, 208-230V

OPTIONAL: 3 phase, 230-460V

OPTIONAL HEIGHT ADAPTERS



FEATURES:

1. FORKLIFT MAST CHANNEL & ROLLERS
2. CLEAR FLOOR
3. NO OVERHEAD BEAM
4. NO EQUALIZING CABLES
5. LOW PROFILE ARMS
6. A SINGLE POINT LOCK RELEASE
7. ARM RESTRAIN

P K S

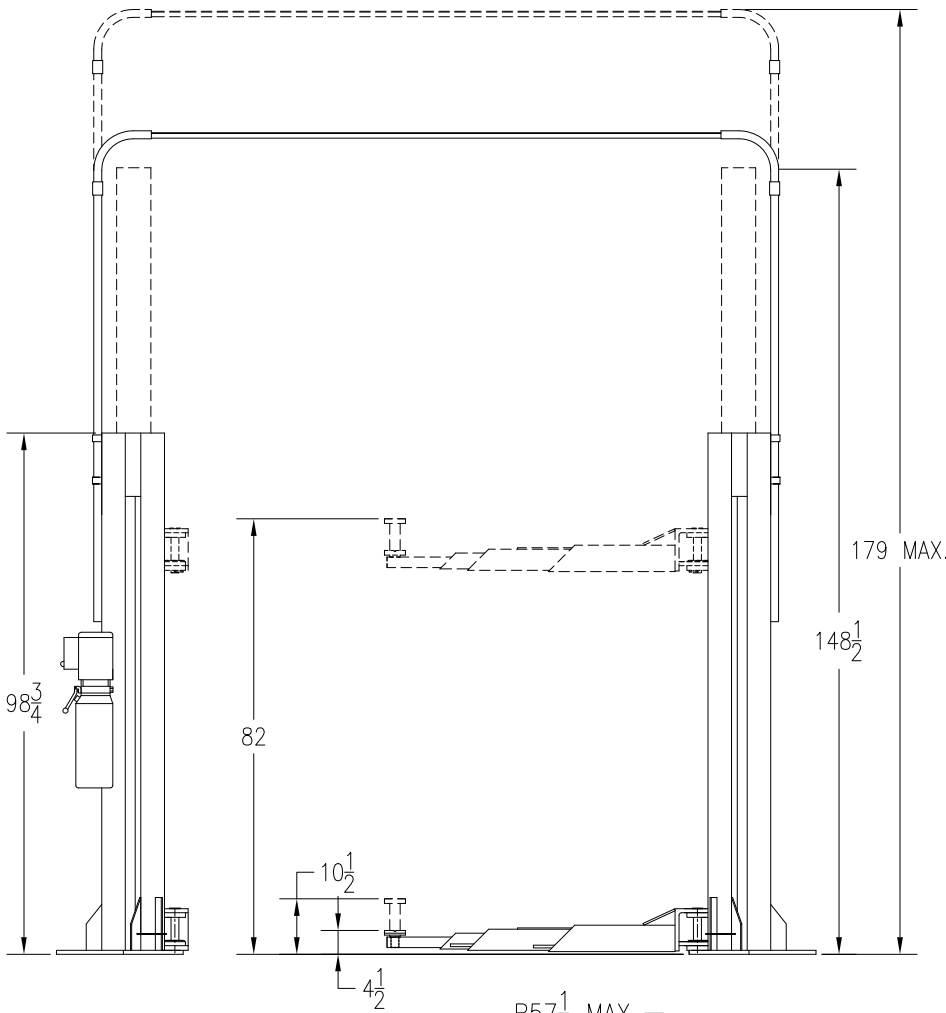
AUG.25/2004

DWG

PK12ABSPEC

A

TWO-POST LIFT MODEL: PK12A-BH



CAPACITY - 12,000 LBS
RISE: 82"

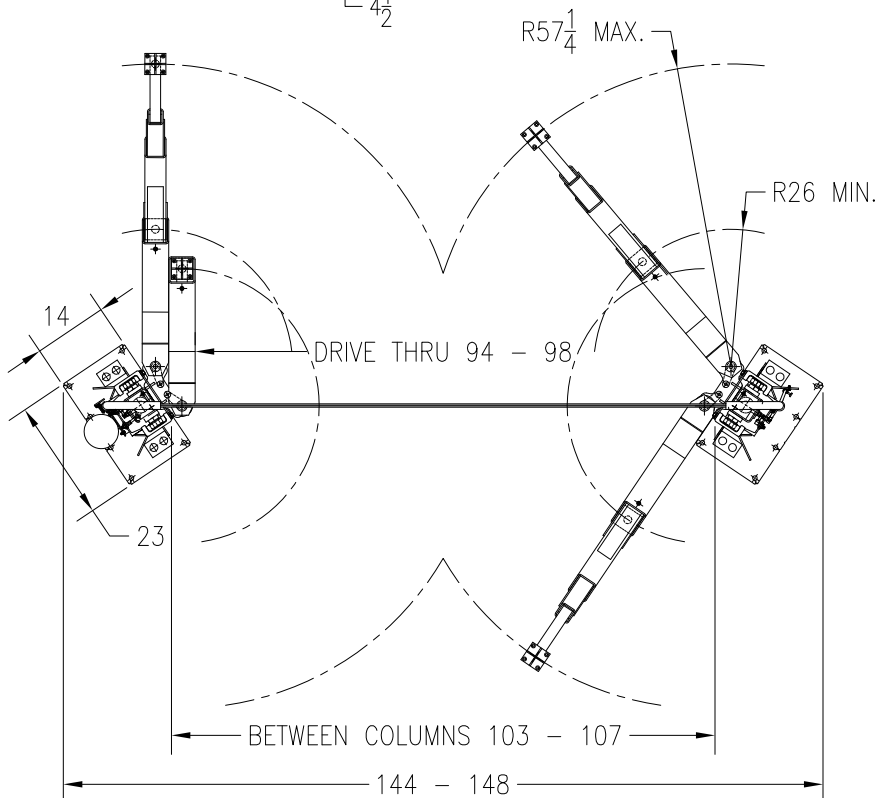
MINIMUM CEILING HEIGHT
REQUIRED: 152"

MOTOR: 2 HP

VOLTAGE: 1 phase, 208-230V

OPTIONAL: 3 phase, 230-460V

OPTIONAL HEIGHT ADAPTERS



FEATURES:

1. FORKLIFT MAST CHANNEL & ROLLERS
2. CLEAR FLOOR
3. NO OVERHEAD BEAM
4. NO EQUALIZING CABLES
5. LOW PROFILE ARMS
6. A SINGLE POINT LOCK RELEASE
7. ARM RESTRAIN

P K S

OCT.17/2006

DWG

PK12ABHSPEC

A

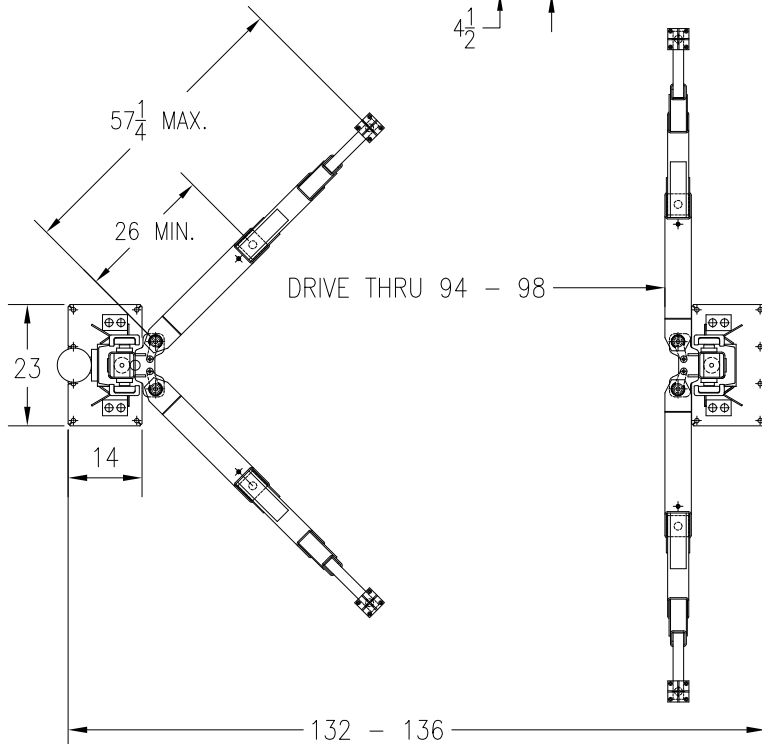
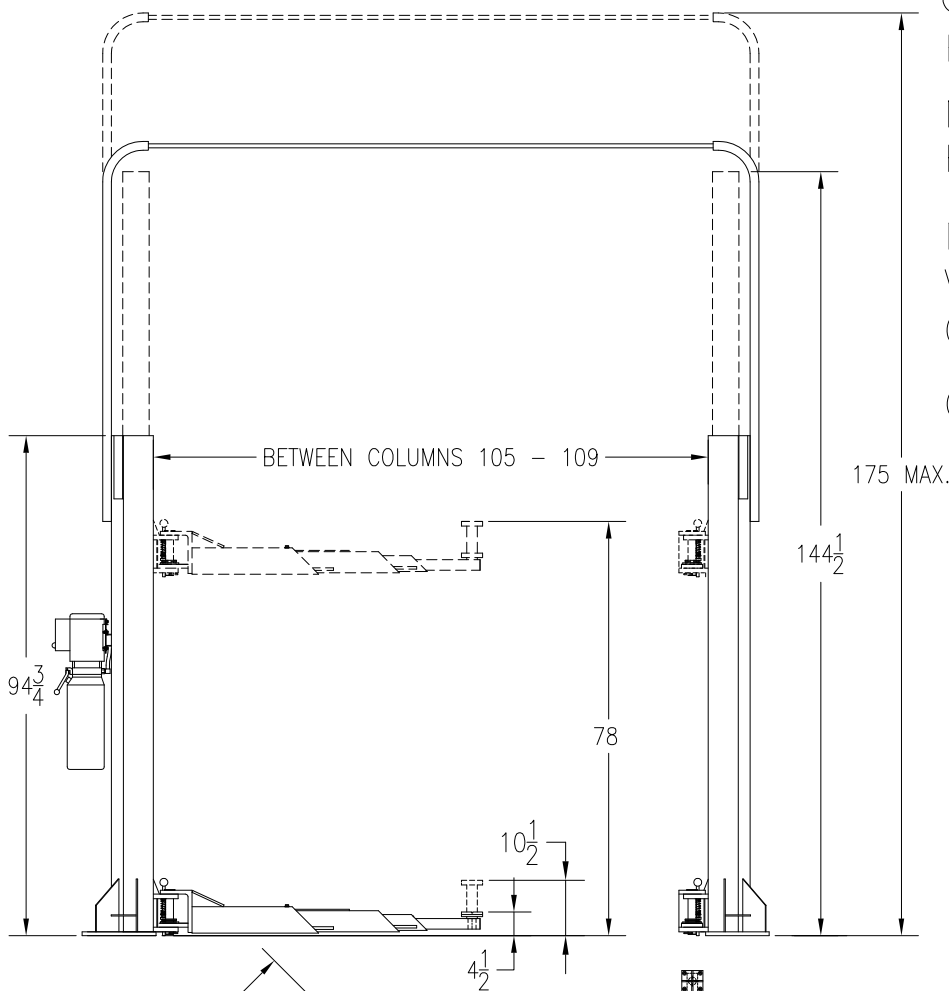
TWO-POST LIFT MODEL: PK12-B

CAPACITY - 12,000 LBS
RISE: 78"

MINIMUM CEILING HEIGHT
REQUIRED: 148"

MOTOR: 2 HP
VOLTAGE: 1 phase, 208-230V
OPTIONAL: 3 phase, 230-460V

OPTIONAL HEIGHT ADAPTERS



FEATURES:

1. FORKLIFT MAST CHANNEL & ROLLERS
2. CLEAR FLOOR
3. NO OVERHEAD BEAM
4. NO EQUALIZING CABLES
5. LOW PROFILE ARMS
6. A SINGLE POINT LOCK RELEASE
7. ARM RESTRAIN

P K S

AUG.25/2004

DWG

PK12BSPEC

A

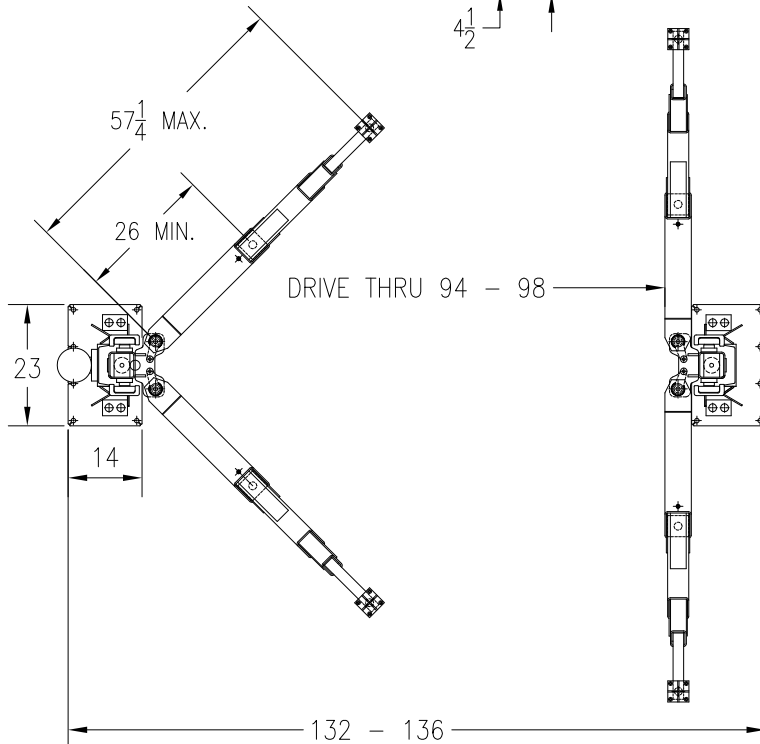
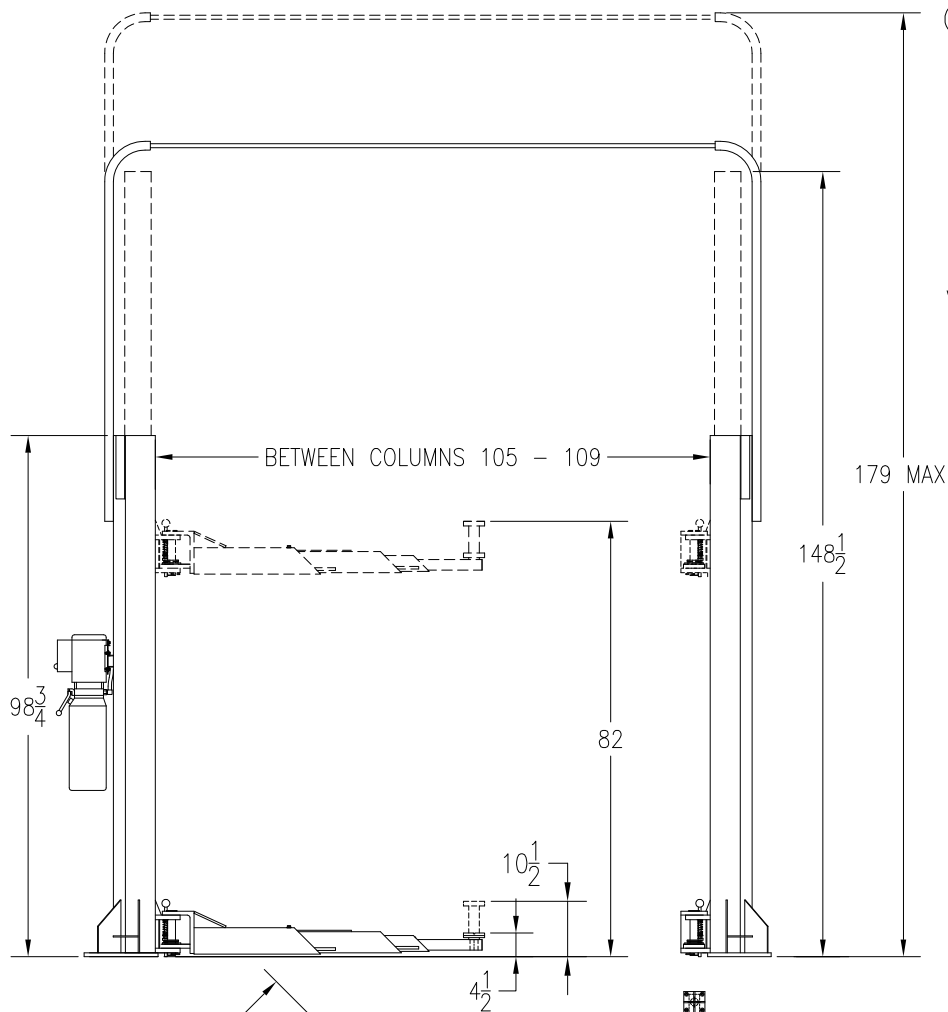
TWO-POST LIFT MODEL: PK12-BH

CAPACITY - 12,000 LBS
RISE: 82"

MINIMUM CEILING HEIGHT
REQUIRED: 152"

MOTOR: 2 HP
VOLTAGE: 1 phase, 208-230V
OPTIONAL: 3 phase, 230-460V

OPTIONAL HEIGHT ADAPTERS



FEATURES:

1. FORKLIFT MAST CHANNEL & ROLLERS
2. CLEAR FLOOR
3. NO OVERHEAD BEAM
4. NO EQUALIZING CABLES
5. LOW PROFILE ARMS
6. A SINGLE POINT LOCK RELEASE
7. ARM RESTRAIN

P K S

OCT.17/2006

DWG

PK12B82SPEC

A