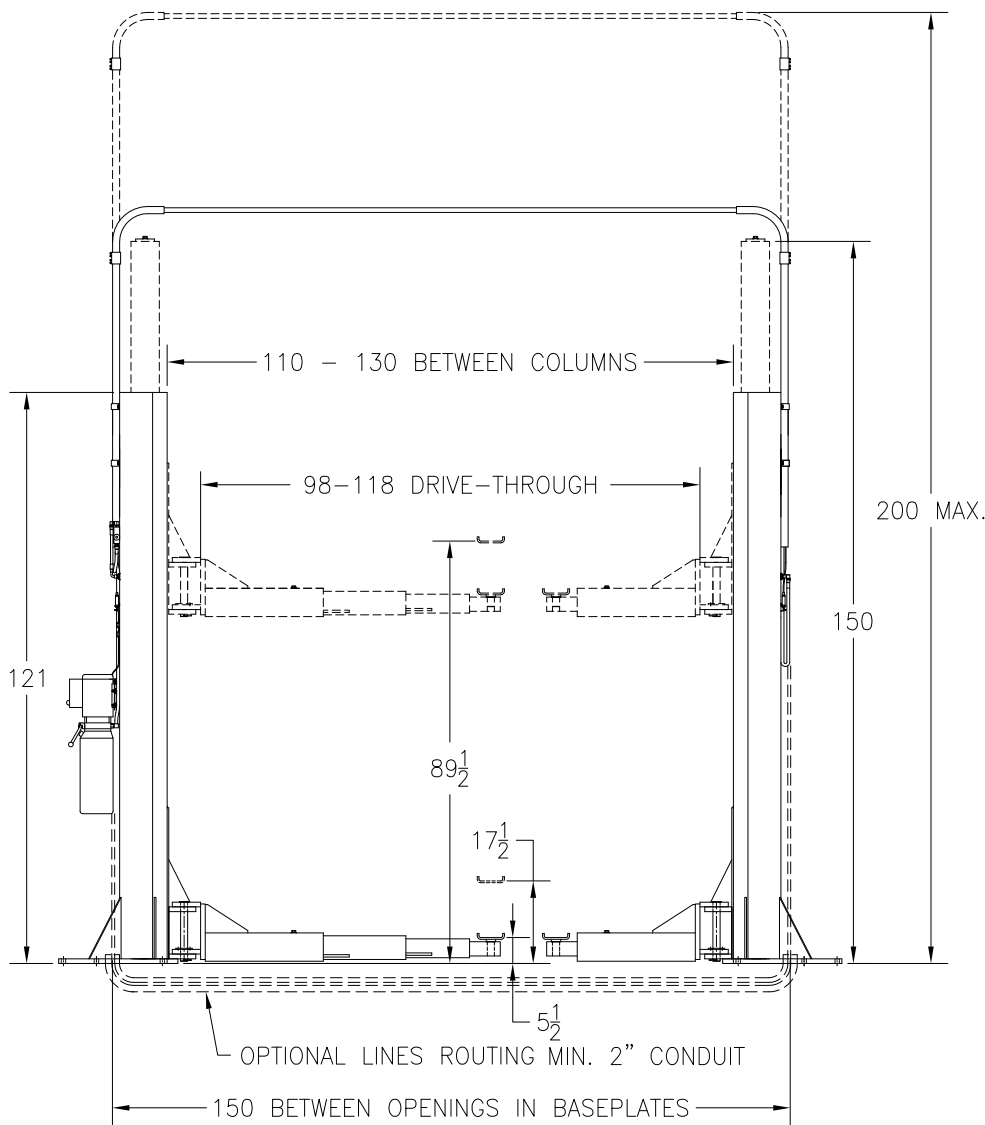


# TWO-POST LIFT MODEL: PK18



CAPACITY: 18,000 LBS

RISE: 89-1/2"

CEILING HEIGHT  
REQUIRED: 160"MIN.

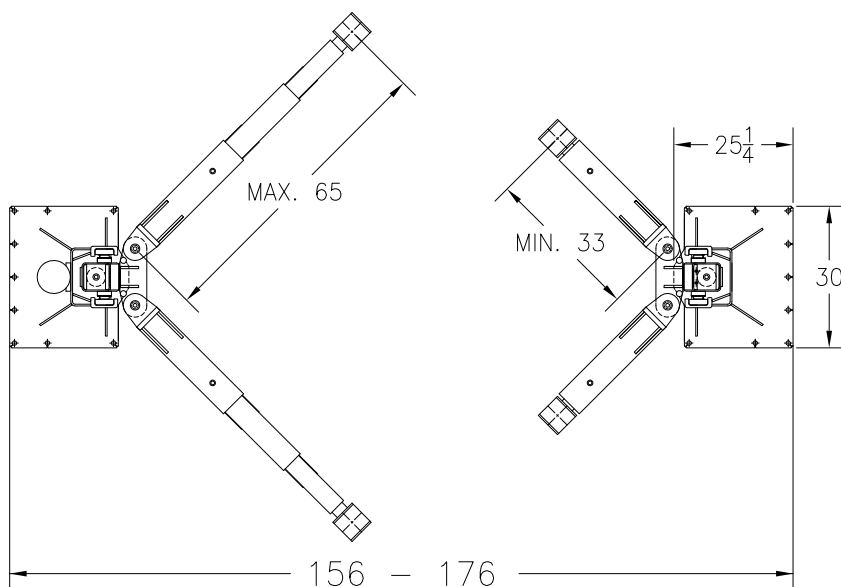
MOTORS: 2 HP

VOLTAGE 1 Ph.: 208-230V

VOLTAGE 3 Ph.: 230-460V

VOLTAGE 3 Ph.: 575V

HEIGHT ADAPTERS



## FEATURES:

1. AIR/HYDRAULIC CONTROL
2. CLEAR FLOOR
3. NO OVERHEAD BEAM
4. NO EQUALIZING CABLES
5. LOW PROFILE ARMS
6. A SINGLE POINT LOCK RELEASE
7. ARM RESTRAINT LOCKS

WEIGHT OF LIFT: 2 500 LBS

DWN.  
JK  
APPR.  
KK

P K S

JULY 13/2011

DWG

PK18SPEC

A