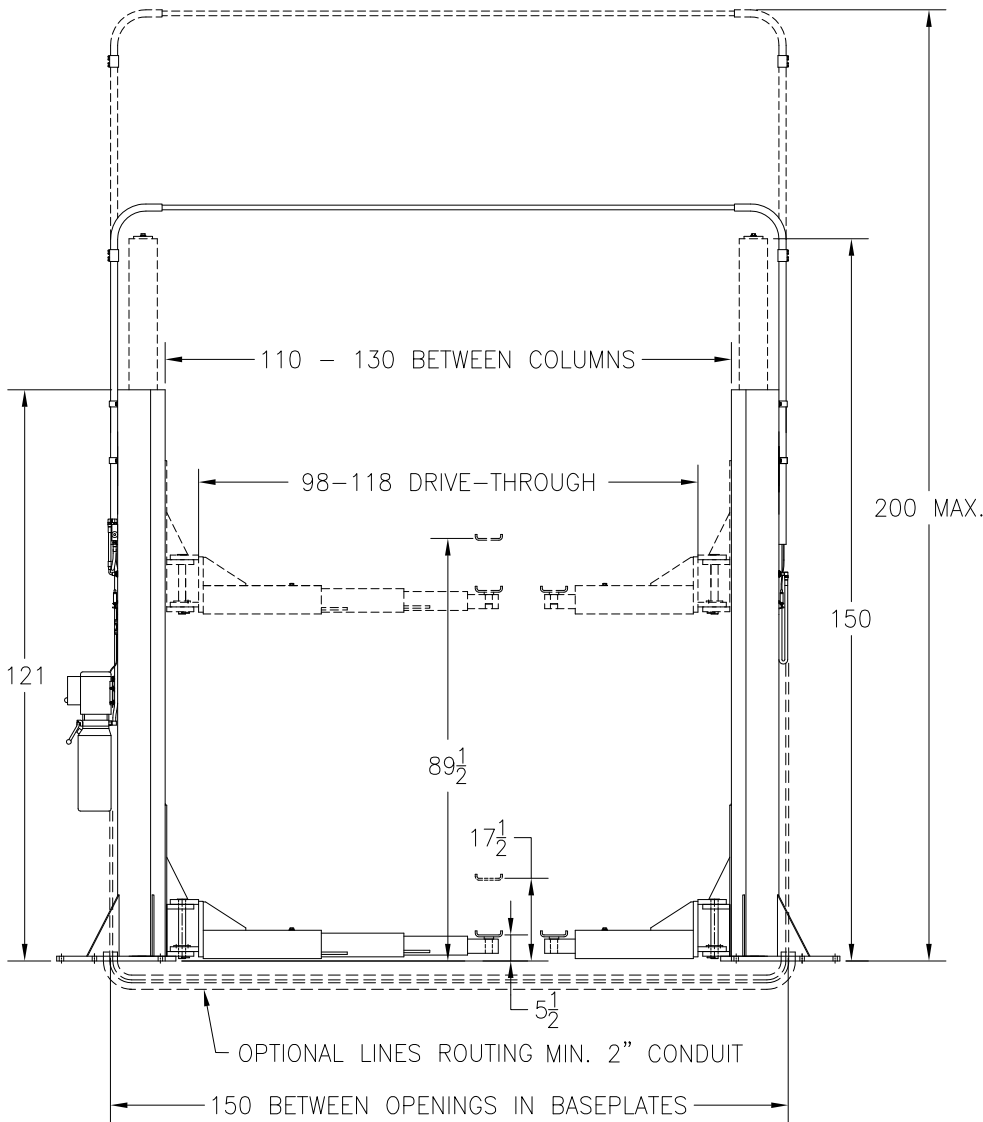


TWO-POST LIFT MODEL: PK20



CAPACITY: 20,000 LBS

RISE: 89-1/2"

CEILING HEIGHT
REQUIRED: 160"MIN.

MOTORS: 2 HP

VOLTAGE 1 Ph.: 208-230V

VOLTAGE 3 Ph.: 230-460V

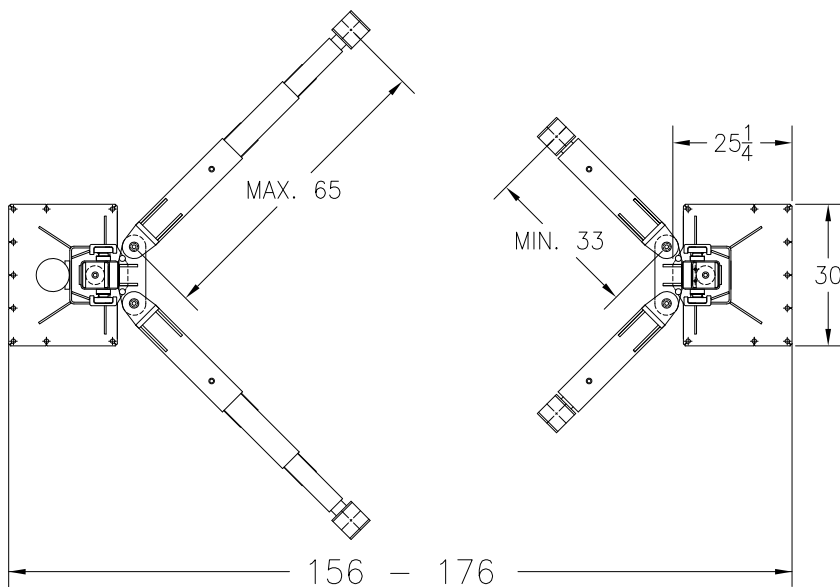
VOLTAGE 3 Ph.: 575V

HIGHT ADAPTERS

FEATURES:

1. AIR/HYDRAULIC CONTROL
2. CLEAR FLOOR
3. NO OVERHEAD BEAM
4. NO EQUALIZING CABLES
5. LOW PROFILE ARMS
6. A SINGLE POINT LOCK RELEASE
7. ARM RESTRAIN

WEIGHT OF LIFT: 2 500 LBS



DWN.
JK
APPR.
KK

P K S

JULY 13/2011

DWG

PK20SPEC

A