

SPECIFICATION						
CAPACITY	20,000LBS					
FOUR COLUMNS C/W HYDRAULIC CYLINDERS						
SAFETY DEVICES ON EACH COLUMN (MECHANICAL/AIR)						
DUAL POWER UNITS C/W EL. MOTORS	STANDARD	2 x 2HP, 3PH, 230/460V				
	OPTIONAL	2 x 2HP, 3PH, 575V				
	OPTIONAL	2 x 2HP, 1PH, 230V				
SPEED OF RISE	60 SEC.					
RUNWAY WIDTH	24"			DISTANCES		
RUNWAY HEIGHT	7-1/2"			"A"	"B"	"C"
RUNWAYS LENGTH	MODEL: PK20-4-20	20' LONG	285"	232 ⁷ / ₈ "	244 ⁷ / ₈ "	
	MODEL: PK20-4-21	21' LONG	297"	244 ⁷ / ₈ "	256 ⁷ / ₈ "	
	MODEL: PK20-4-22	22' LONG	309"	256 ⁷ / ₈ "	268 ⁷ / ₈ "	
	MODEL: PK20-4-23	23' LONG	321"	268 ⁷ / ₈ "	270 ⁷ / ₈ "	
	MODEL: PK20-4-24	24' LONG	333"	270 ⁷ / ₈ "	282 ⁷ / ₈ "	
	MODEL: PK20-4-25	25' LONG	345"	282 ⁷ / ₈ "	294 ⁷ / ₈ "	
	MODEL: PK20-4-26	26' LONG	357"	294 ⁷ / ₈ "	316 ⁷ / ₈ "	
	MODEL: PK20-4-27	27' LONG	369"	316 ⁷ / ₈ "	328 ⁷ / ₈ "	
	MODEL: PK20-4-28	28' LONG	381"	328 ⁷ / ₈ "	340 ⁷ / ₈ "	
	MODEL: PK20-4-29	29' LONG	393"	340 ⁷ / ₈ "	352 ⁷ / ₈ "	
MODEL: PK20-4-30	30' LONG	405"	352 ⁷ / ₈ "	364 ⁷ / ₈ "		
INSIDE COLUMN CLEARANCE	132"					
OVERALL LIFTING HEIGHT	67-1/4"					
OVERALL HEIGHT	12'-2"					
OVERALL WIDTH	12'-6 1/4"					
OPTIONAL - ROLLING JACKING BEAM						

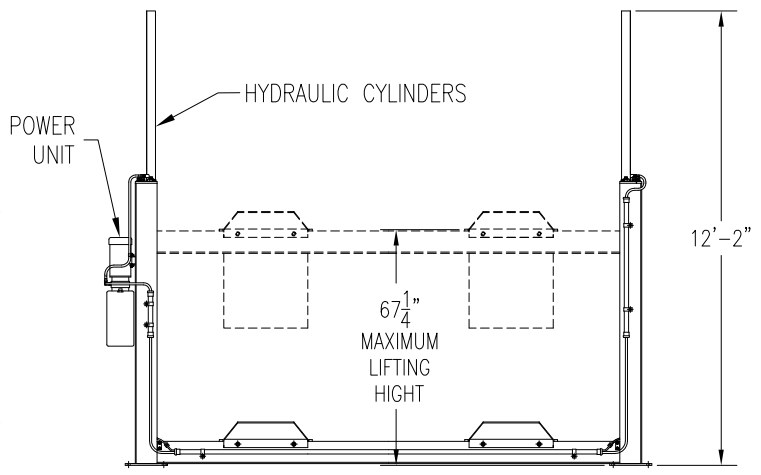
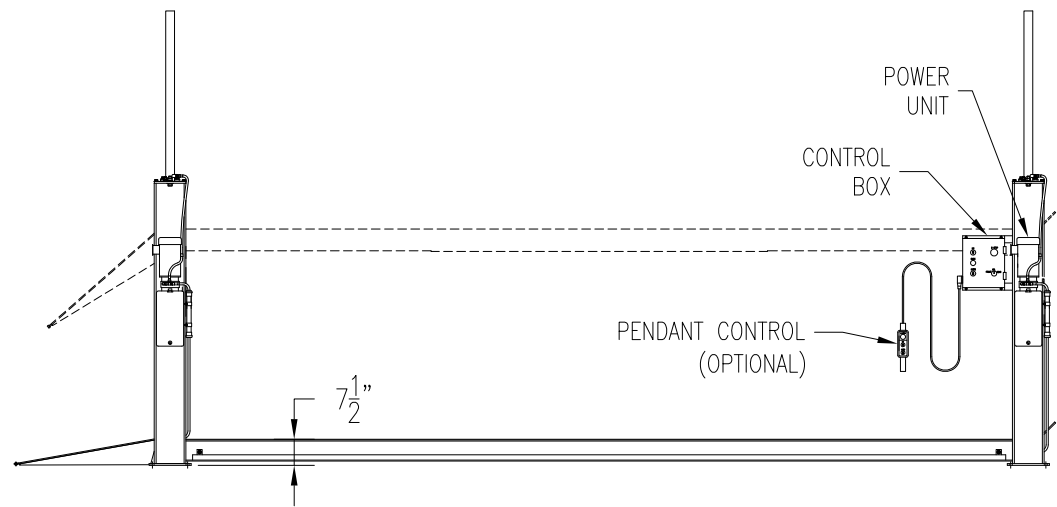
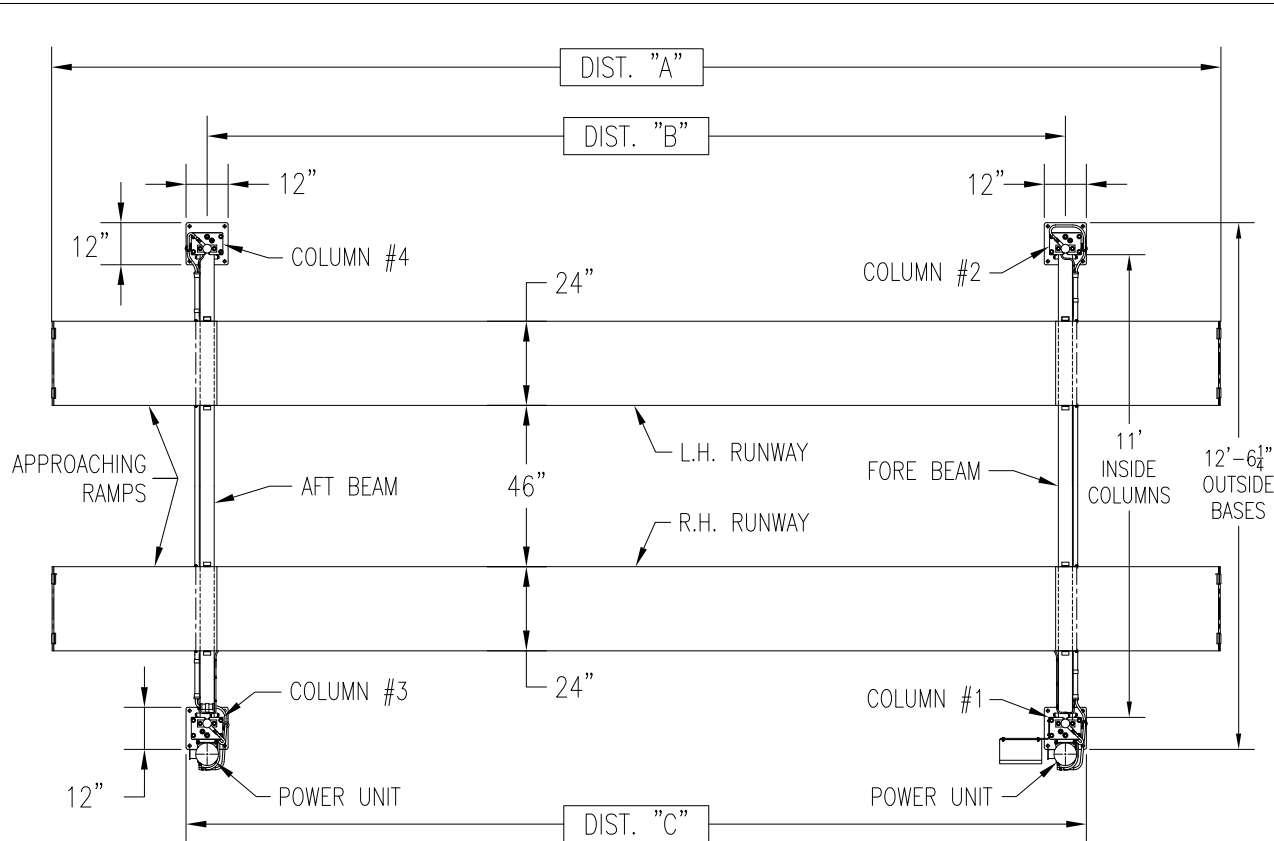


FIG.01



SPECIFICATION						
CAPACITY	20,000LBS					
FOUR COLUMNS C/W HYDRAULIC CYLINDERS						
SAFETY DEVICES ON EACH COLUMN (MECHANICAL/AIR)						
DUAL POWER UNITS C/W EL. MOTORS	STANDARD	2 x 2HP, 3PH, 230/460V				
	OPTIONAL	2 x 2HP, 3PH, 575V				
	OPTIONAL	2 x 2HP, 1PH, 230V				
SPEED OF RISE	60 SEC.					
RUNWAY WIDTH	24"			DISTANCES		
RUNWAY HEIGHT	7-1/2"			"A"	"B"	"C"
RUNWAYS LENGTH	MODEL: PK20-4-21	21' LONG	33 ⁵ / ₈ "	244 ⁷ / ₈ "	256 ⁷ / ₈ "	
	MODEL: PK20-4-22	22' LONG	34 ⁵ / ₈ "	256 ⁷ / ₈ "	268 ⁷ / ₈ "	
	MODEL: PK20-4-23	23' LONG	35 ⁷ / ₈ "	268 ⁷ / ₈ "	270 ⁷ / ₈ "	
	MODEL: PK20-4-24	24' LONG	36 ⁹ / ₈ "	270 ⁷ / ₈ "	282 ⁷ / ₈ "	
	MODEL: PK20-4-25	25' LONG	39 ¹ / ₈ "	282 ⁷ / ₈ "	294 ⁷ / ₈ "	
	MODEL: PK20-4-26	26' LONG	40 ⁵ / ₈ "	294 ⁷ / ₈ "	316 ⁷ / ₈ "	
	MODEL: PK20-4-27	27' LONG	41 ⁵ / ₈ "	316 ⁷ / ₈ "	328 ⁷ / ₈ "	
	MODEL: PK20-4-28	28' LONG	42 ⁷ / ₈ "	328 ⁷ / ₈ "	340 ⁷ / ₈ "	
	MODEL: PK20-4-29	29' LONG	43 ⁹ / ₈ "	340 ⁷ / ₈ "	352 ⁷ / ₈ "	
MODEL: PK20-4-30	30' LONG	45 ¹ / ₈ "	352 ⁷ / ₈ "	364 ⁷ / ₈ "		
INSIDE COLUMN CLEARANCE	132"					
OVERALL LIFTING HEIGHT	67-1/4"					
OVERALL HEIGHT	12'-2"					
OVERALL WIDTH	12'-6 1/4"					
OPTIONAL - ROLLING JACKING BEAM						

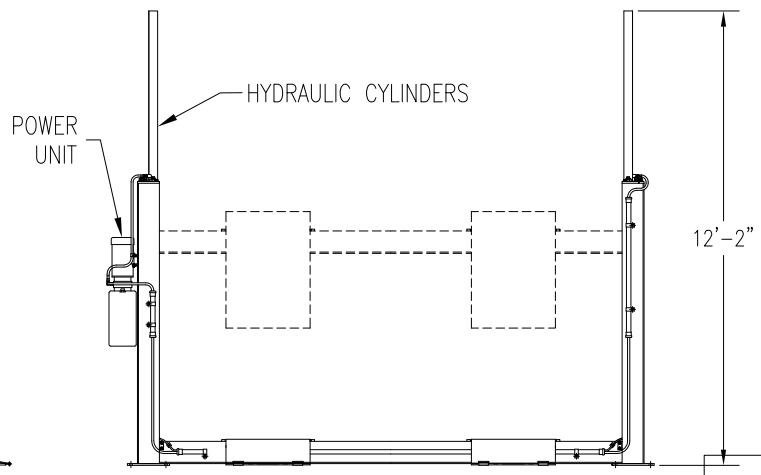
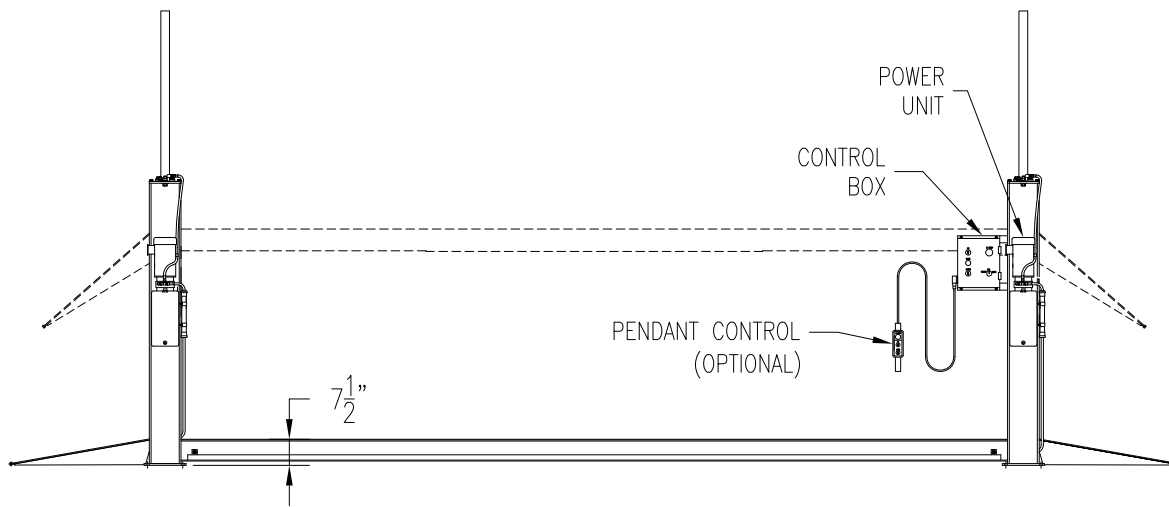


FIG.01