

TWO-POST LIFT MODEL: PK22E

CAPACITY: 22,000 LBS

RISE: 89-1/2"

CEILING HEIGHT
REQUIRED: 160"MIN

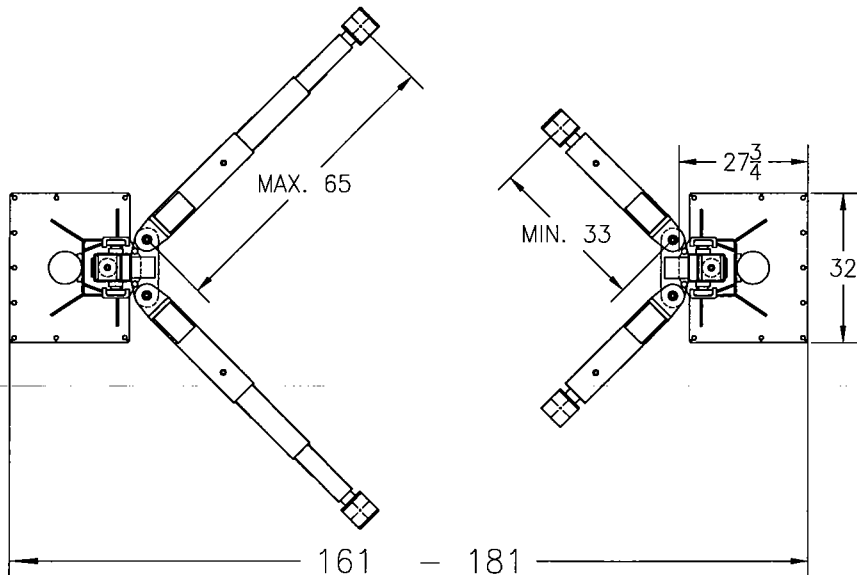
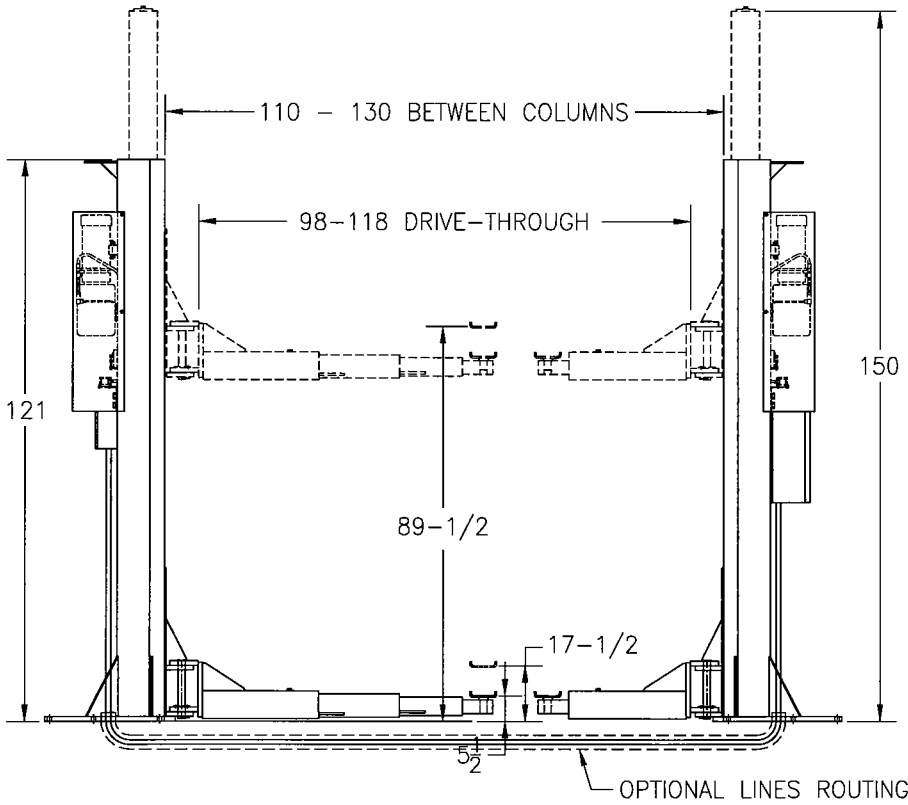
MOTORS: 2 x 2HP

VOLTAGE 1 Ph.: 208-230V

VOLTAGE 3 Ph.: 230-460V

VOLTAGE 3 Ph.: 575V

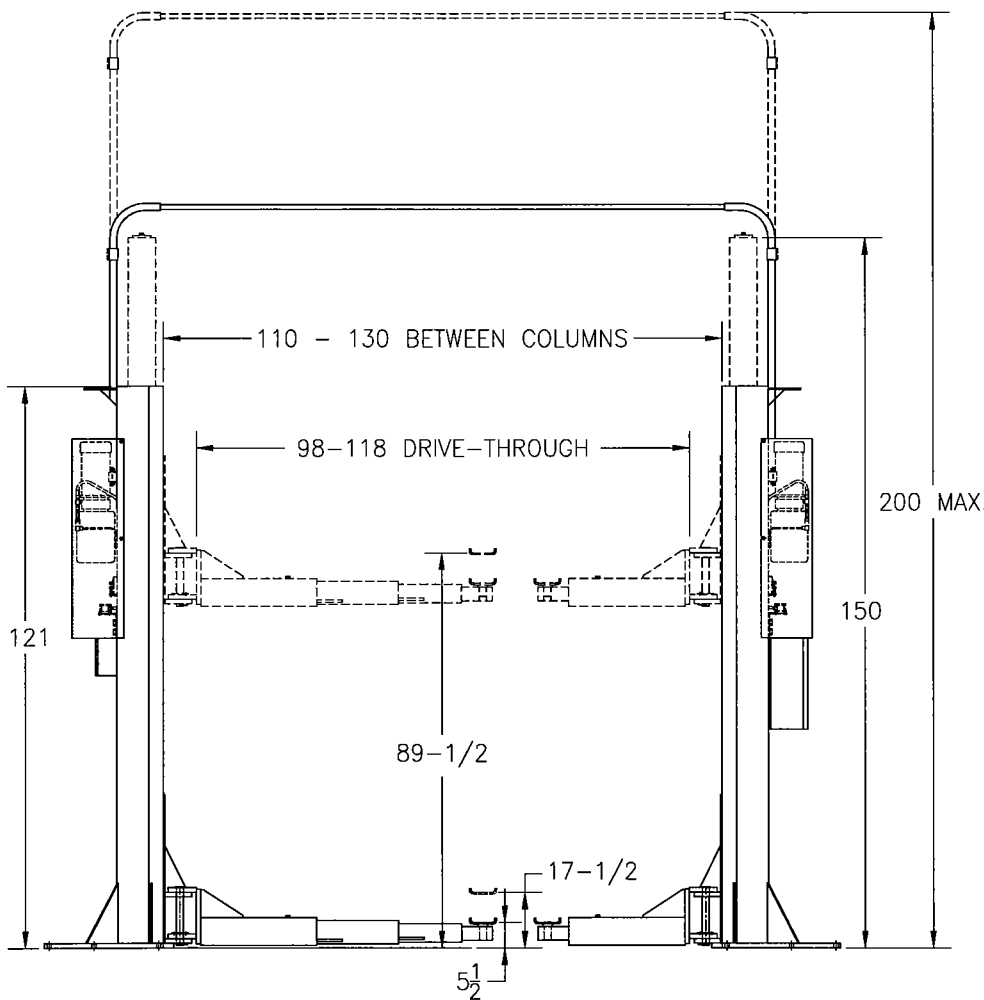
HIGHT ADAPTERS



FEATURES:

1. ELECTRONICALLY CONTROL
2. CLEAR FLOOR
3. NO OVERHEAD BEAM
4. NO EQUALIZING CABLES
5. LOW PROFILE ARMS
6. A SINGLE POINT LOCK RELEASE
7. ARM RESTRAIN

TWO-POST LIFT MODEL: PK22E



CAPACITY: 22,000 LBS

RISE: 89-1/2"

CEILING HEIGHT
REQUIRED: 160"MIN

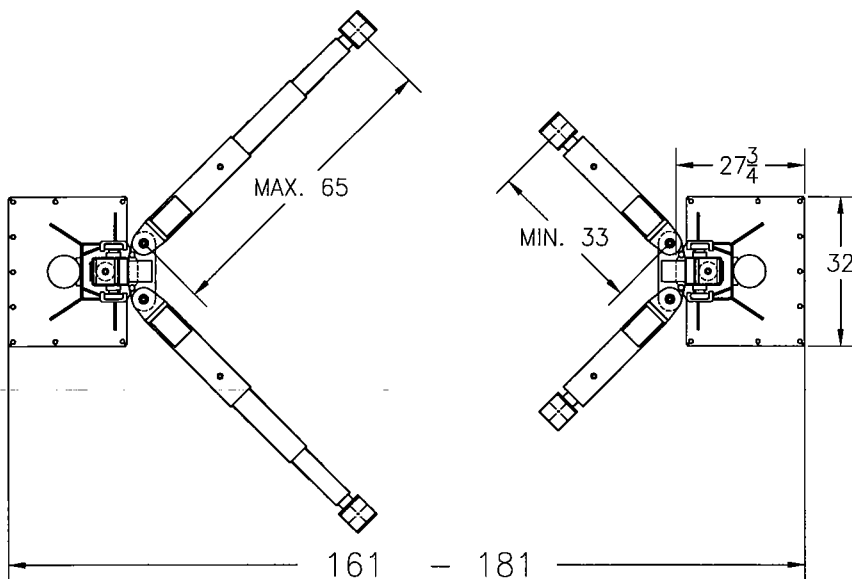
MOTORS: 2 x 2HP

VOLTAGE 1 Ph.: 208-230V

VOLTAGE 3 Ph.: 230-460V

VOLTAGE 3 Ph.: 575V

HIGHT ADAPTERS



FEATURES:

1. ELECTRONICALLY CONTROL
2. CLEAR FLOOR
3. NO OVERHEAD BEAM
4. NO EQUALIZING CABLES
5. LOW PROFILE ARMS
6. A SINGLE POINT LOCK RELEASE
7. ARM RESTRAIN