

SPECIFICATION			
CAPACITY	30,000LBS		
FOUR COLUMNS C/W HYDRAULIC CYLINDERS			
SAFETY DEVICES ON EACH COLUMN (MECHANICAL/AIR)			
DUAL POWER UNITS C/W EL. MOTORS	STANDARD	2 x 2HP, 3PH, 230/460V	
	OPTIONAL	2 x 2HP, 3PH, 575V	
	OPTIONAL	2 x 2HP, 1PH, 230V	
SPEED OF RISE	72 SEC.		
RUNWAY WIDTH	24" - 30"		DISTANCES
RUNWAY HEIGHT	8-1/2"		"A" "B" "C"
RUNWAYS LENGTH	MODEL: PK30-4-20	20' LONG	304 1/4" 233 3/4" 249 3/4"
	MODEL: PK30-4-21	21' LONG	316 1/4" 245 3/4" 261 3/4"
	MODEL: PK30-4-22	22' LONG	328 1/4" 257 3/4" 273 3/4"
	MODEL: PK30-4-23	23' LONG	340 1/4" 269 3/4" 285 3/4"
	MODEL: PK30-4-24	24' LONG	352 1/4" 281 3/4" 297 3/4"
	MODEL: PK30-4-25	25' LONG	364 1/4" 293 3/4" 309 3/4"
	MODEL: PK30-4-26	26' LONG	376 1/4" 305 3/4" 321 3/4"
	MODEL: PK30-4-27	27' LONG	388 1/4" 317 3/4" 333 3/4"
	MODEL: PK30-4-28	28' LONG	400 1/4" 329 3/4" 345 3/4"
	MODEL: PK30-4-30	30' LONG	424 1/4" 353 3/4" 357 3/4"
	MODEL: PK30-4-31	31' LONG	436 1/4" 365 3/4" 369 3/4"
	MODEL: PK30-4-32	32' LONG	448 1/4" 377 3/4" 381 3/4"
	MODEL: PK30-4-33	33' LONG	460 1/4" 389 3/4" 393 3/4"
MODEL: PK30-4-34	34' LONG	472 1/4" 401 3/4" 405 3/4"	
INSIDE COLUMN CLEARANCE	11'		
OVERALL LIFTING HEIGHT	5'-8 1/2"		
OVERALL HEIGHT	11'-11"		
OVERALL WIDTH	12'-11"		
OPTIONAL - ROLLING JACKING BEAM			

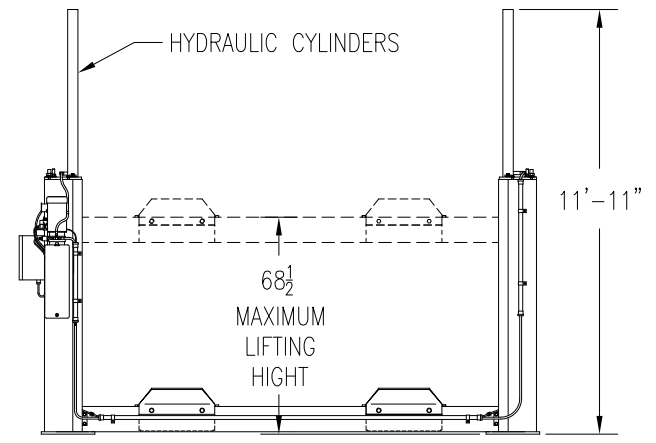
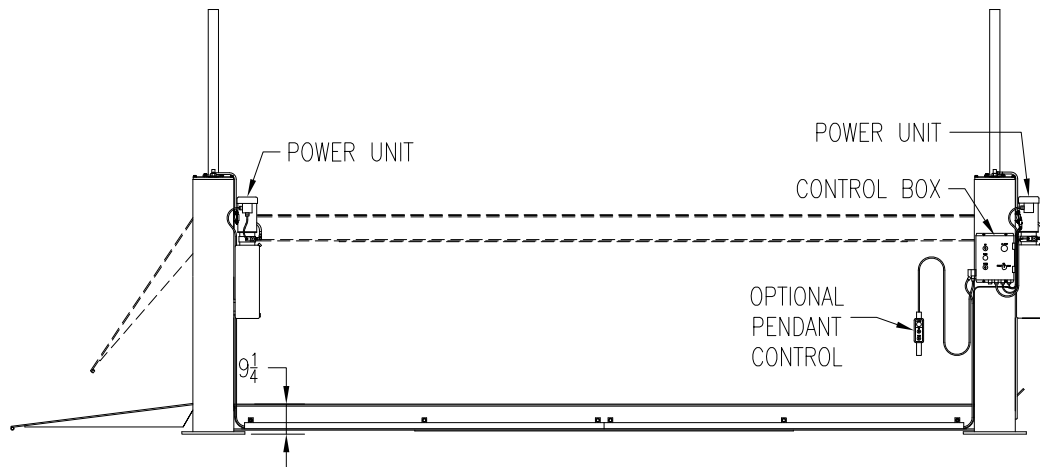
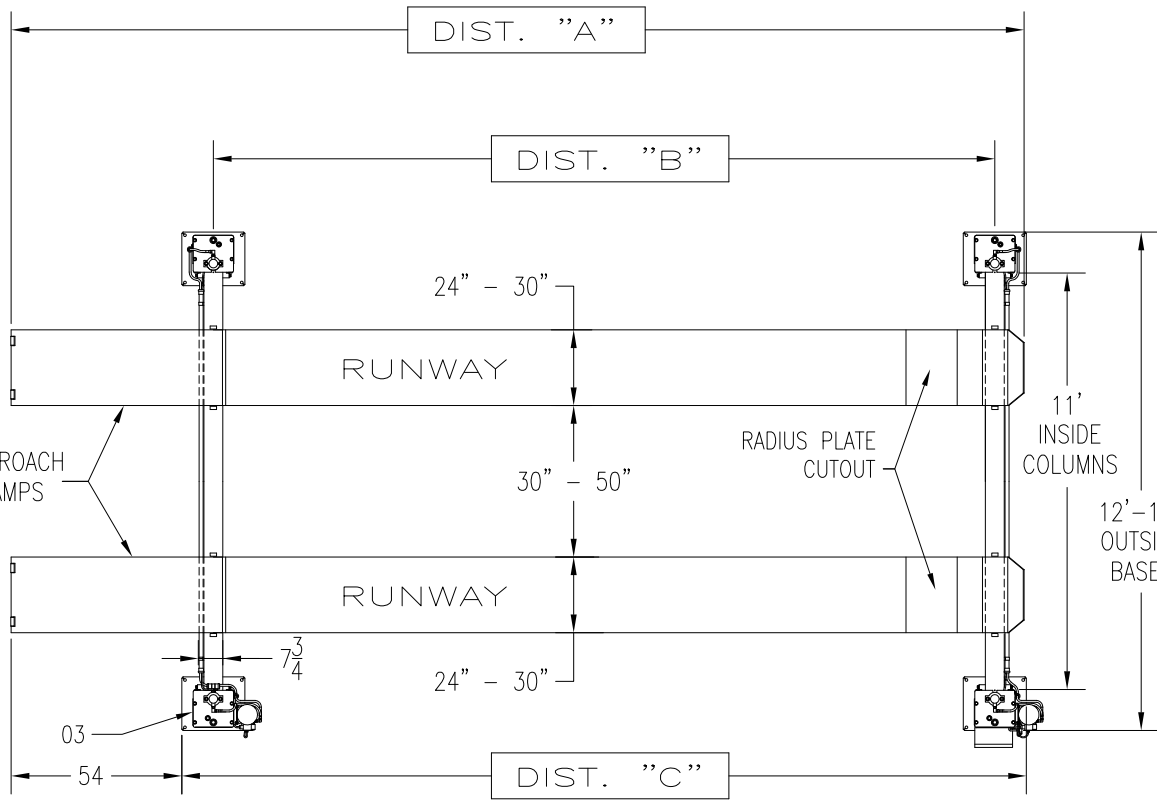


FIG.01



SPECIFICATION			
CAPACITY	30,000LBS		
FOUR COLUMNS C/W HYDRAULIC CYLINDERS			
SAFETY DEVICES ON EACH COLUMN (MECHANICAL/AIR)			
DUAL POWER UNITS C/W EL. MOTORS	STANDARD	2 x 2HP, 3PH, 230/460V	
	OPTIONAL	2 x 2HP, 3PH, 575V	
	OPTIONAL	2 x 2HP, 1PH, 230V	
SPEED OF RISE	72 SEC.		
RUNWAY WIDTH	24" - 30"		DISTANCES
RUNWAY HEIGHT	8-1/2"		"A" "B" "C"
RUNWAYS LENGTH	MODEL: PK30-4-20	20' LONG	304 ³ / ₄ " 233 ³ / ₄ " 249 ³ / ₄ "
	MODEL: PK30-4-21	21' LONG	316 ³ / ₄ " 245 ³ / ₄ " 261 ³ / ₄ "
	MODEL: PK30-4-22	22' LONG	328 ³ / ₄ " 257 ³ / ₄ " 273 ³ / ₄ "
	MODEL: PK30-4-24	24' LONG	352 ³ / ₄ " 281 ³ / ₄ " 297 ³ / ₄ "
	MODEL: PK30-4-25	25' LONG	364 ³ / ₄ " 293 ³ / ₄ " 309 ³ / ₄ "
	MODEL: PK30-4-26	26' LONG	376 ³ / ₄ " 305 ³ / ₄ " 321 ³ / ₄ "
	MODEL: PK30-4-27	27' LONG	388 ³ / ₄ " 317 ³ / ₄ " 333 ³ / ₄ "
	MODEL: PK30-4-28	28' LONG	400 ³ / ₄ " 329 ³ / ₄ " 345 ³ / ₄ "
	MODEL: PK30-4-30	30' LONG	424 ³ / ₄ " 353 ³ / ₄ " 357 ³ / ₄ "
	MODEL: PK30-4-31	31' LONG	436 ³ / ₄ " 365 ³ / ₄ " 369 ³ / ₄ "
	MODEL: PK30-4-32	32' LONG	448 ³ / ₄ " 377 ³ / ₄ " 381 ³ / ₄ "
	MODEL: PK30-4-33	33' LONG	460 ³ / ₄ " 389 ³ / ₄ " 393 ³ / ₄ "
MODEL: PK30-4-34	34' LONG	472 ³ / ₄ " 401 ³ / ₄ " 405 ³ / ₄ "	
INSIDE COLUMN CLEARANCE	11'		
OVERALL LIFTING HEIGHT	5'-8 1/2"		
OVERALL HEIGHT	11'-11"		
OVERALL WIDTH	12'-11"		
OPTIONAL - ROLLING JACKING BEAM			

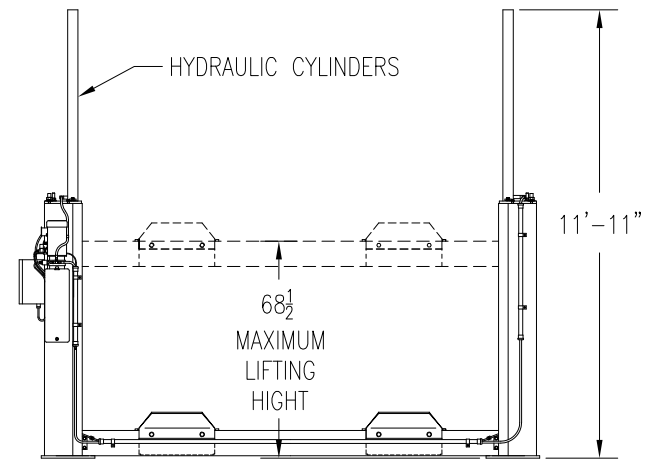
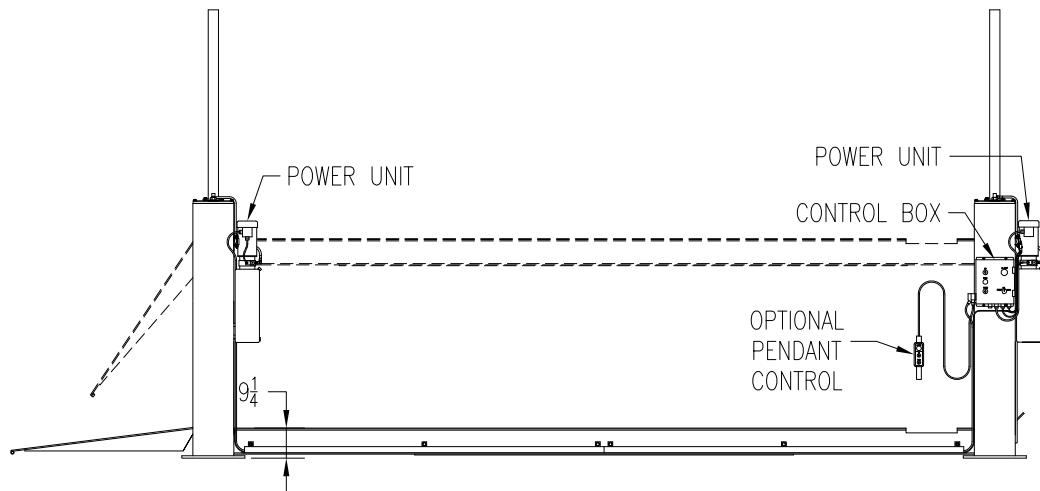
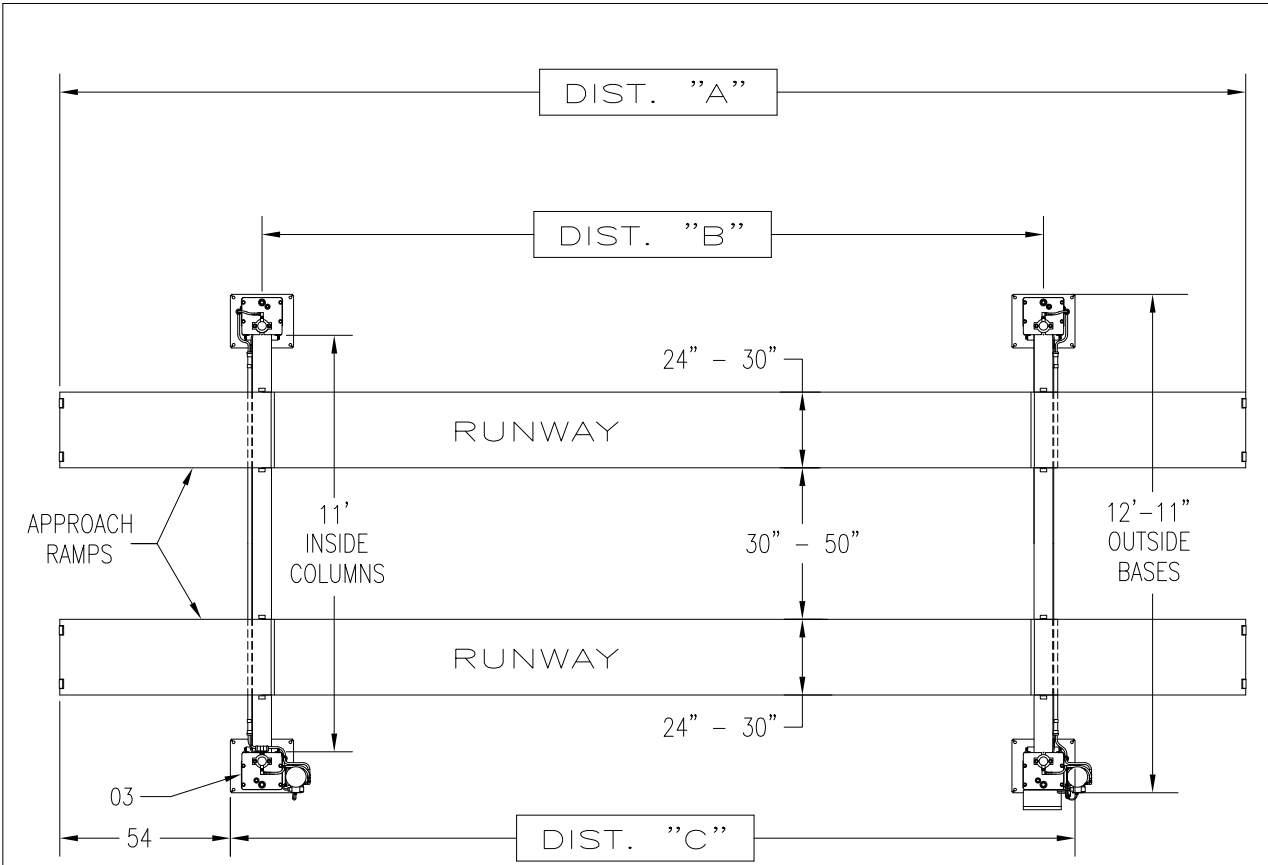


FIG.01



SPECIFICATION			
CAPACITY	30,000LBS		
FOUR COLUMNS C/W HYDRAULIC CYLINDERS			
SAFETY DEVICES ON EACH COLUMN (MECHANICAL/AIR)			
DUAL POWER UNITS C/W EL. MOTORS	STANDARD	2 x 2HP, 3PH, 230/460V	
	OPTIONAL	2 x 2HP, 3PH, 575V	
	OPTIONAL	2 x 2HP, 1PH, 230V	
SPEED OF RISE	72 SEC.		
RUNWAY WIDTH	24" - 30"		DISTANCES
RUNWAY HEIGHT	8-1/2"		"A" "B" "C"
RUNWAYS LENGTH	MODEL: PK30-4-20DT	20' LONG	358" 233 ³ / ₄ " 249 ³ / ₄ "
	MODEL: PK30-4-21DT	21' LONG	370" 245 ³ / ₄ " 261 ³ / ₄ "
	MODEL: PK30-4-23DT	23' LONG	394" 269 ³ / ₄ " 285 ³ / ₄ "
	MODEL: PK30-4-24DT	24' LONG	406" 281 ³ / ₄ " 297 ³ / ₄ "
	MODEL: PK30-4-25DT	25' LONG	418" 293 ³ / ₄ " 309 ³ / ₄ "
	MODEL: PK30-4-26DT	26' LONG	430" 305 ³ / ₄ " 321 ³ / ₄ "
	MODEL: PK30-4-28DT	28' LONG	454" 329 ³ / ₄ " 345 ³ / ₄ "
	MODEL: PK30-4-30DT	30' LONG	478" 353 ³ / ₄ " 369 ³ / ₄ "
	MODEL: PK30-4-31DT	31' LONG	490" 365 ³ / ₄ " 381 ³ / ₄ "
	MODEL: PK30-4-32DT	32' LONG	502" 377 ³ / ₄ " 393 ³ / ₄ "
MODEL: PK30-4-33DT	33' LONG	514" 389 ³ / ₄ " 405 ³ / ₄ "	
MODEL: PK30-4-34DT	34' LONG	526" 401 ³ / ₄ " 417 ³ / ₄ "	
INSIDE COLUMN CLEARANCE	11'		
OVERALL LIFTING HEIGHT	5'-8 1/2"		
OVERALL HEIGHT	11'-11"		
OVERALL WIDTH	12'-11"		
OPTIONAL - ROLLING JACKING BEAM			

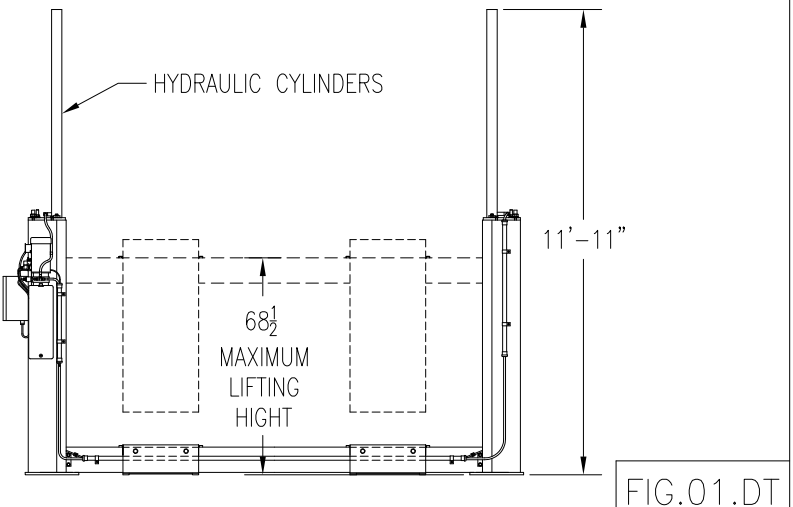
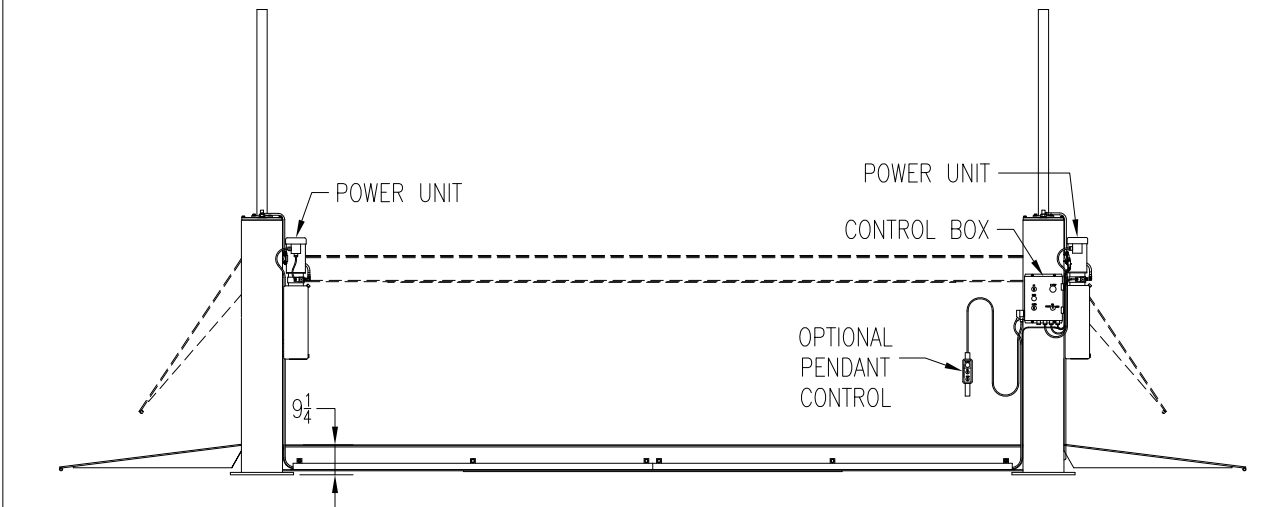
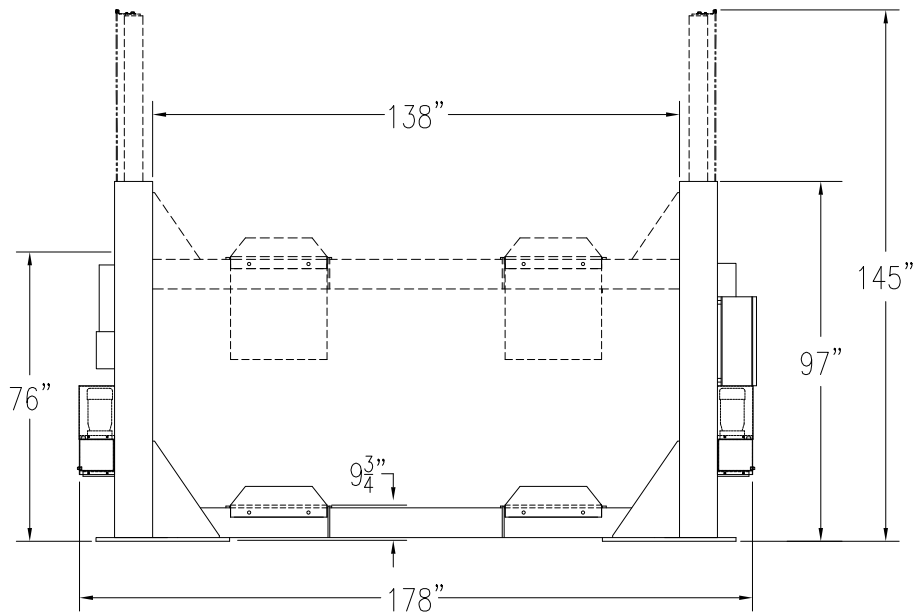
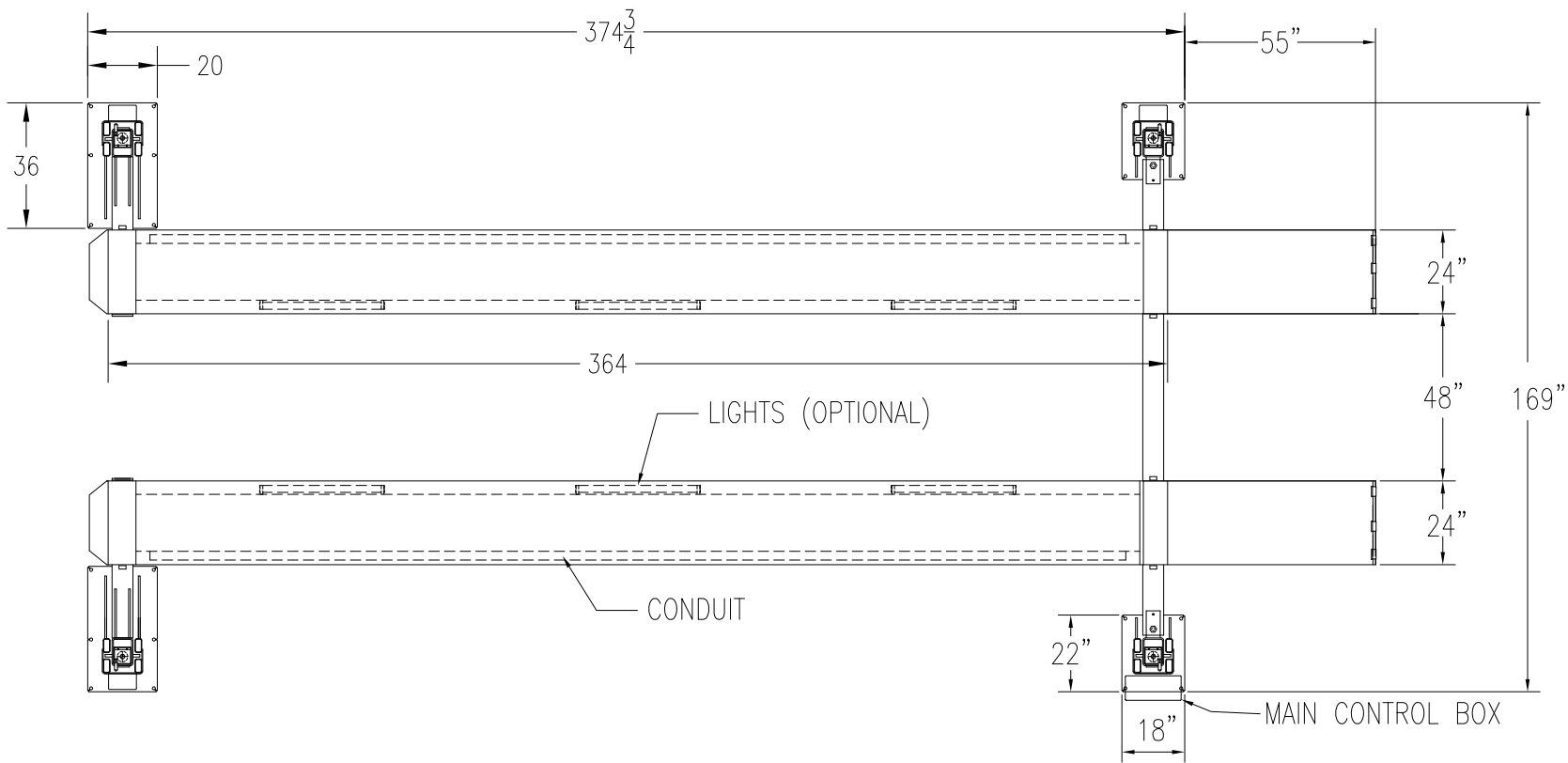
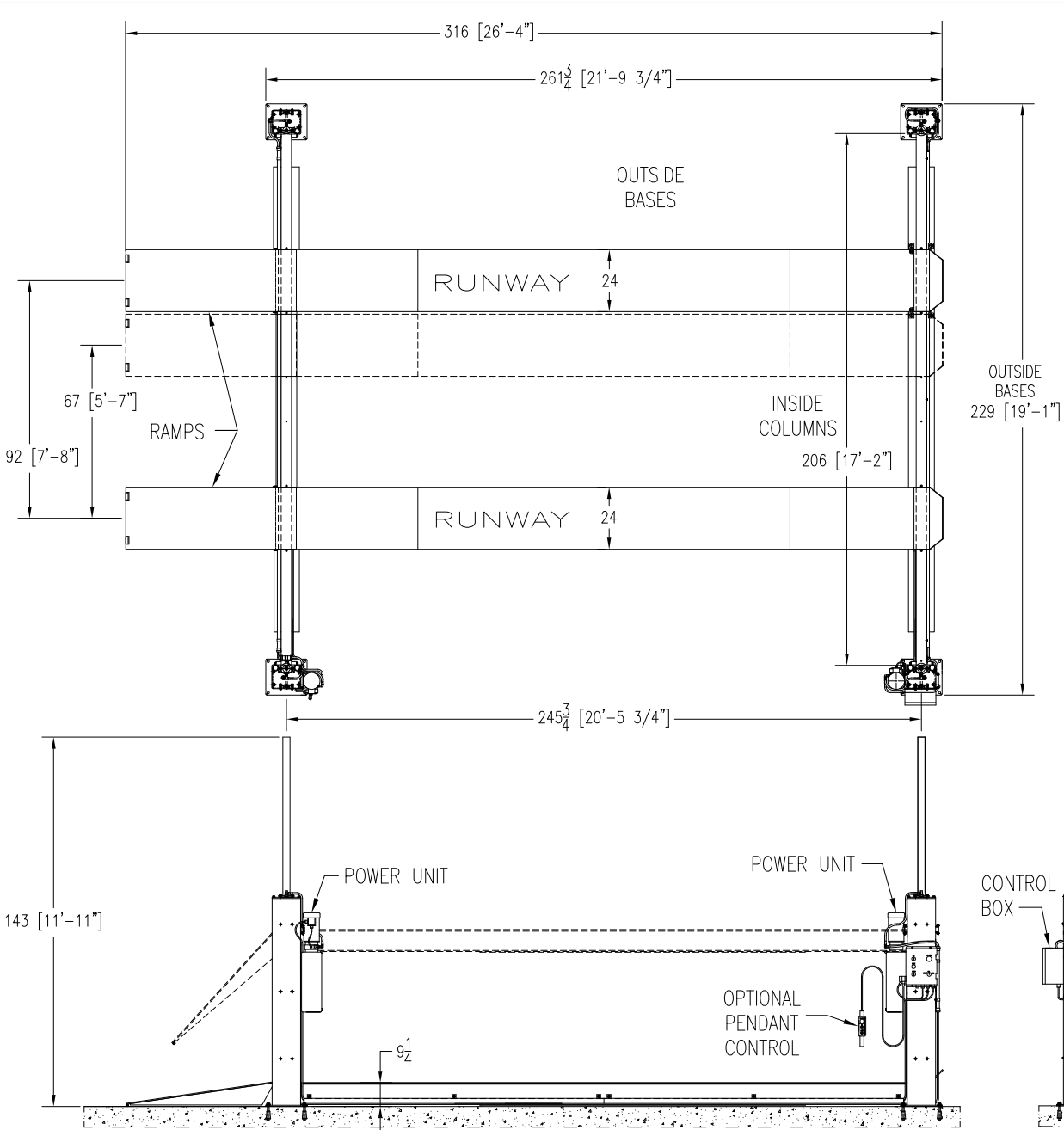


FIG.01.DT



CAPACITY	40,000 LBS	INSIDE COLUMN CLEARANCE	138"
FOUR HYDRAULIC CYLINDERS		RUNWAY HEIGHT	10"
FOUR POWER UNITS		RUNWAY WIDTH	24"
PLC BASED CONTROL SYSTEM		OVERALL HEIGHT	97"
SAFETY DEVICES ON EACH COLUMN(MECH.,HYDR.)		OVERALL LIFTING HEIGHT	76"
ELECTRICAL 4 X 2HP (230/460 V)		OVERALL WIDTH	176"
WHEELBASE 340"		OPTIONAL - ROLLING JACKING BEAM	

TITLE		NOTES	
FOUR POST LIFT - PK40-4-EOF - SPECIFICATION		PK40-4-EOF	
P K S	MAY.30/2007	DWG PK404EOF-FIG.01	A



SPECIFICATION		
CAPACITY	30,000LBS	
FOUR COLUMNS C/W HYDRAULIC CYLINDERS		
SAFETY DEVICES ON EACH COLUMN (MECHANICAL/AIR)		
DUAL POWER UNITS C/W EL. MOTORS	STANDARD	2 x 2HP, 3PH, 230/460V
	OPTIONAL	2 x 2HP, 3PH, 575V
	OPTIONAL	2 x 2HP, 1PH, 230V
SPEED OF RISE	72 SEC.	
RUNWAY WIDTH	24"	
RUNWAY HEIGHT	8-1/2"	
INSIDE COLUMN CLEARANCE	17'-2"	
OVERALL LIFTING HEIGHT	5'-8 1/2"	
OVERALL HEIGHT	11'-11"	
OVERALL WIDTH	19'-1"	

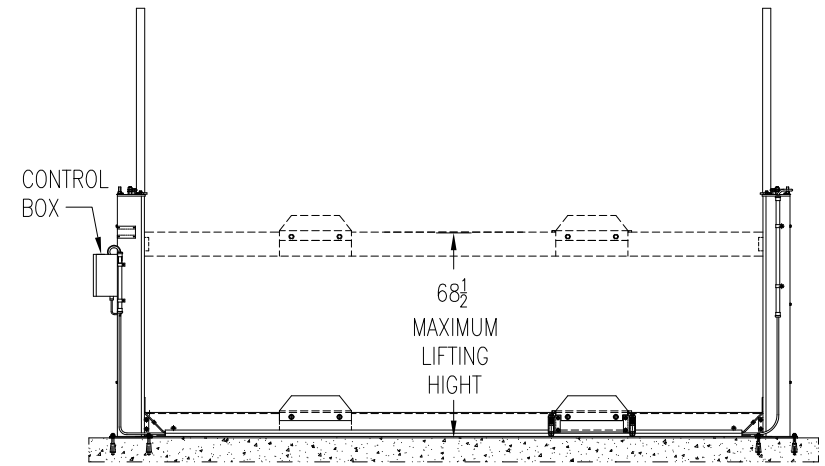


FIG.01-21