

SPECIFICATION			
CAPACITY	35,000LBS		
FOUR COLUMNS C/W HYDRAULIC CYLINDERS			
SAFETY DEVICES ON EACH COLUMN (MECHANICAL/AIR)			
DUAL POWER UNITS C/W EL. MOTORS	STANDARD	2 x 2HP, 3PH, 230/460V	
	OPTIONAL	2 x 2HP, 3PH, 575V	
	OPTIONAL	2 x 2HP, 1PH, 230V	
SPEED OF RISE	72 SEC.		
RUNWAY WIDTH	24" - 30"		DISTANCES
RUNWAY HEIGHT	8-3/4"		"A" "B" "C"
RUNWAYS LENGTH	MODEL: PK35-4-21	21' LONG	321" 247 <sup>3</sup> / <sub>4</sub> " 267 <sup>3</sup> / <sub>4</sub> "
	MODEL: PK35-4-24	24' LONG	357" 283 <sup>3</sup> / <sub>4</sub> " 303 <sup>3</sup> / <sub>4</sub> "
	MODEL: PK35-4-25	25' LONG	369" 295 <sup>3</sup> / <sub>4</sub> " 315 <sup>3</sup> / <sub>4</sub> "
	MODEL: PK35-4-26	26' LONG	381" 307 <sup>3</sup> / <sub>4</sub> " 327 <sup>3</sup> / <sub>4</sub> "
	MODEL: PK35-4-28	28' LONG	405" 331 <sup>3</sup> / <sub>4</sub> " 351 <sup>3</sup> / <sub>4</sub> "
	MODEL: PK35-4-30	30' LONG	429" 355 <sup>3</sup> / <sub>4</sub> " 375 <sup>3</sup> / <sub>4</sub> "
	MODEL: PK35-4-31	31' LONG	441" 367 <sup>3</sup> / <sub>4</sub> " 387 <sup>3</sup> / <sub>4</sub> "
	MODEL: PK35-4-32	32' LONG	453" 379 <sup>3</sup> / <sub>4</sub> " 399 <sup>3</sup> / <sub>4</sub> "
	MODEL: PK35-4-33	33' LONG	465" 391 <sup>3</sup> / <sub>4</sub> " 411 <sup>3</sup> / <sub>4</sub> "
MODEL: PK35-4-34	34' LONG	477" 403 <sup>3</sup> / <sub>4</sub> " 423 <sup>3</sup> / <sub>4</sub> "	
INSIDE COLUMN CLEARANCE	132"		
OVERALL LIFTING HEIGHT	68 3/4"		
OVERALL HEIGHT	12'-4"		
OVERALL WIDTH	13'-10"		
OPTIONAL - ROLLING JACKING BEAM			

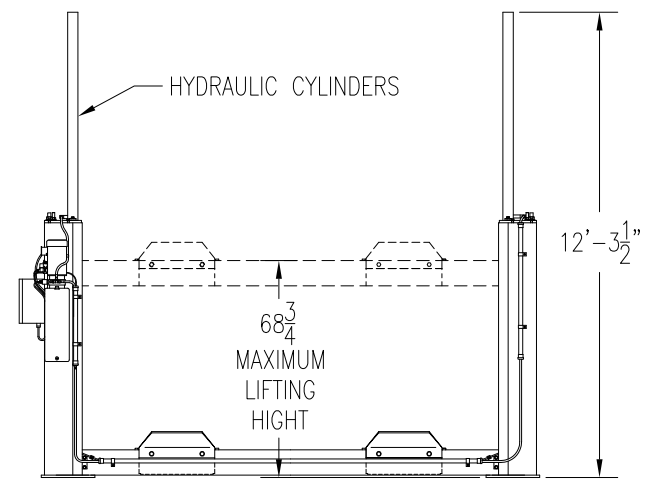
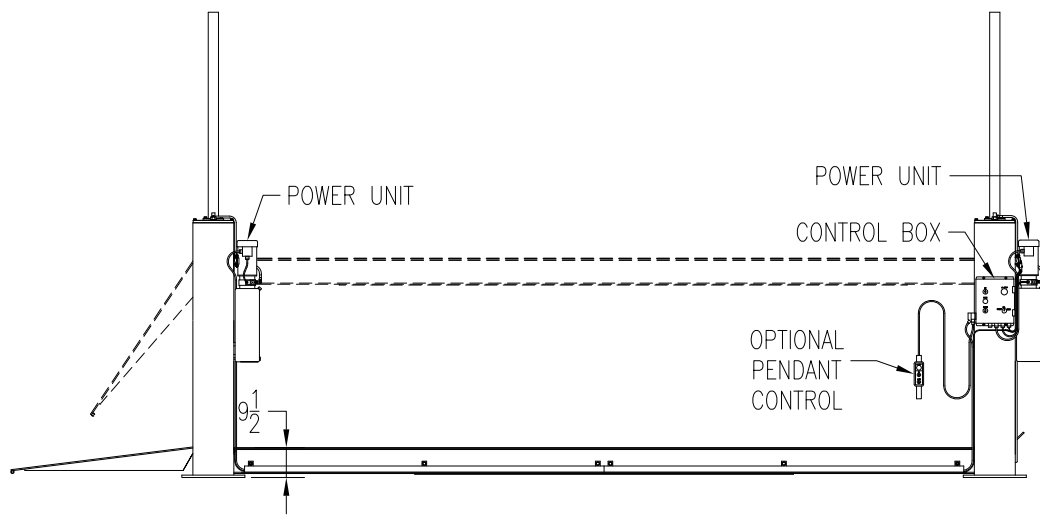
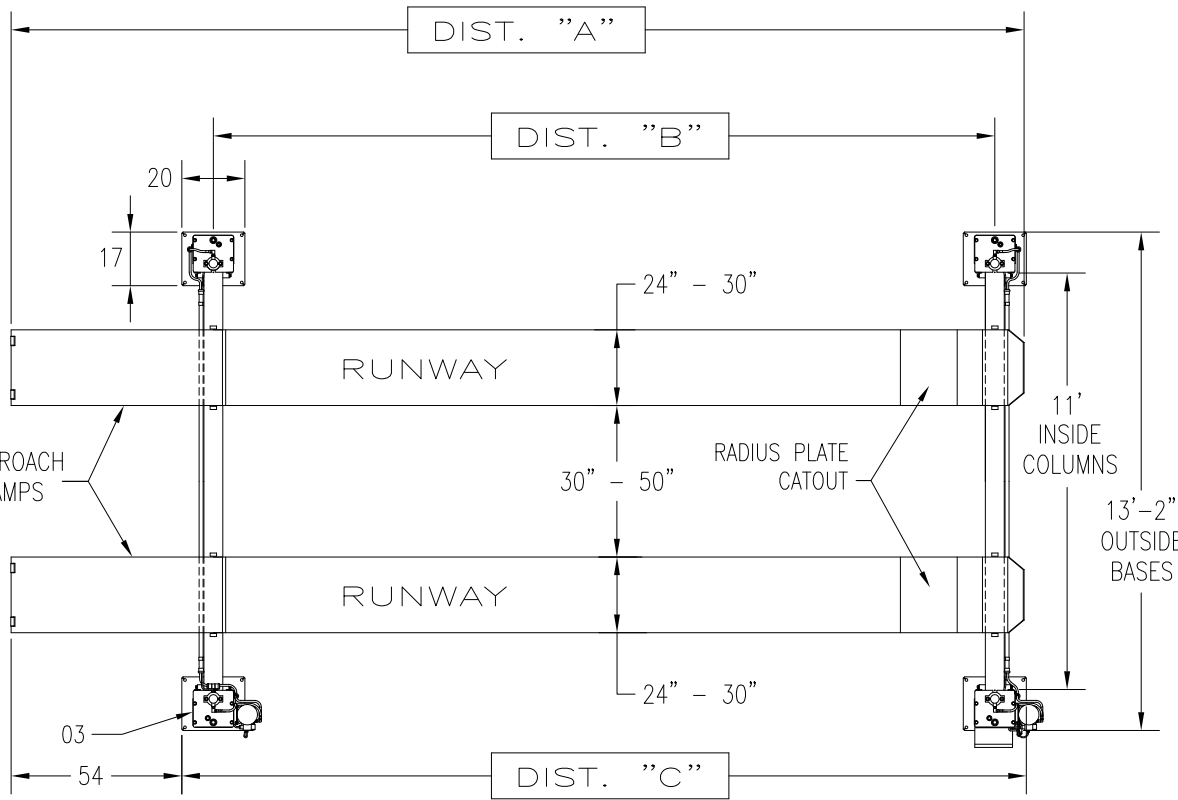


FIG.01



SPECIFICATION			
CAPACITY	35,000LBS		
FOUR COLUMNS C/W HYDRAULIC CYLINDERS			
SAFETY DEVICES ON EACH COLUMN (MECHANICAL/AIR)			
DUAL POWER UNITS C/W EL. MOTORS	STANDARD	2 x 2HP, 3PH, 230/460V	
	OPTIONAL	2 x 2HP, 3PH, 575V	
	OPTIONAL	2 x 2HP, 1PH, 230V	
SPEED OF RISE	72 SEC.		
RUNWAY WIDTH	24" - 30"		DISTANCES
RUNWAY HEIGHT	8-3/4"		"A" "B" "C"
RUNWAYS LENGTH	MODEL: PK35-4-21	21' LONG	321" 247 <sup>3</sup> / <sub>4</sub> " 267 <sup>3</sup> / <sub>4</sub> "
	MODEL: PK35-4-24	24' LONG	357" 283 <sup>3</sup> / <sub>4</sub> " 303 <sup>3</sup> / <sub>4</sub> "
	MODEL: PK35-4-25	25' LONG	369" 295 <sup>3</sup> / <sub>4</sub> " 315 <sup>3</sup> / <sub>4</sub> "
	MODEL: PK35-4-26	26' LONG	381" 307 <sup>3</sup> / <sub>4</sub> " 327 <sup>3</sup> / <sub>4</sub> "
	MODEL: PK35-4-28	28' LONG	405" 331 <sup>3</sup> / <sub>4</sub> " 351 <sup>3</sup> / <sub>4</sub> "
	MODEL: PK35-4-30	30' LONG	429" 355 <sup>3</sup> / <sub>4</sub> " 375 <sup>3</sup> / <sub>4</sub> "
	MODEL: PK35-4-31	31' LONG	441" 367 <sup>3</sup> / <sub>4</sub> " 387 <sup>3</sup> / <sub>4</sub> "
	MODEL: PK35-4-32	32' LONG	453" 379 <sup>3</sup> / <sub>4</sub> " 399 <sup>3</sup> / <sub>4</sub> "
	MODEL: PK35-4-33	33' LONG	465" 391 <sup>3</sup> / <sub>4</sub> " 411 <sup>3</sup> / <sub>4</sub> "
MODEL: PK35-4-34	34' LONG	477" 403 <sup>3</sup> / <sub>4</sub> " 423 <sup>3</sup> / <sub>4</sub> "	
INSIDE COLUMN CLEARANCE	132"		
OVERALL LIFTING HEIGHT	68 3/4"		
OVERALL HEIGHT	12'-4"		
OVERALL WIDTH	13'-10"		
OPTIONAL - ROLLING JACKING BEAM			

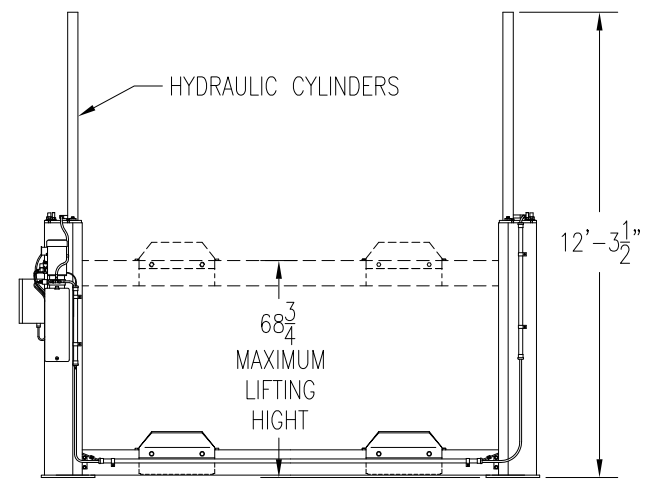
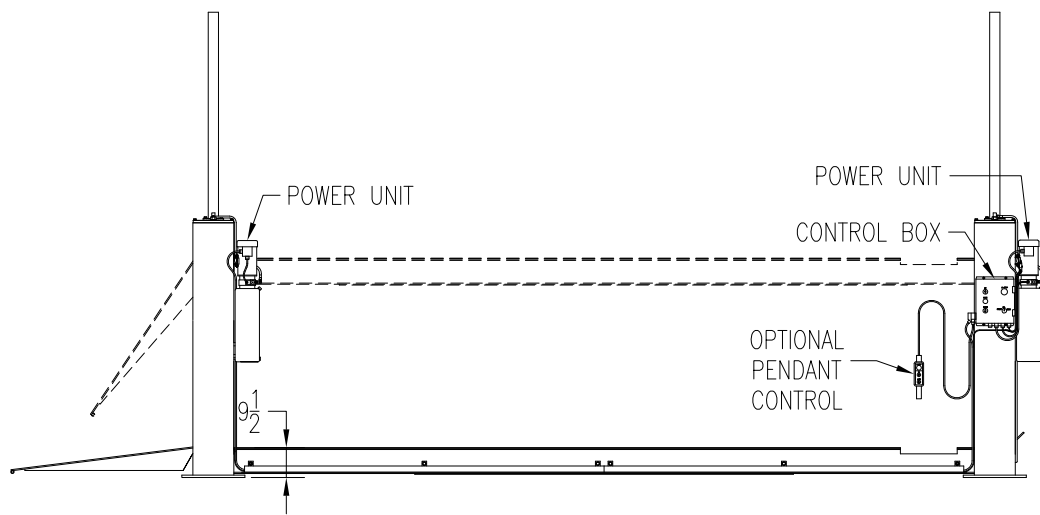
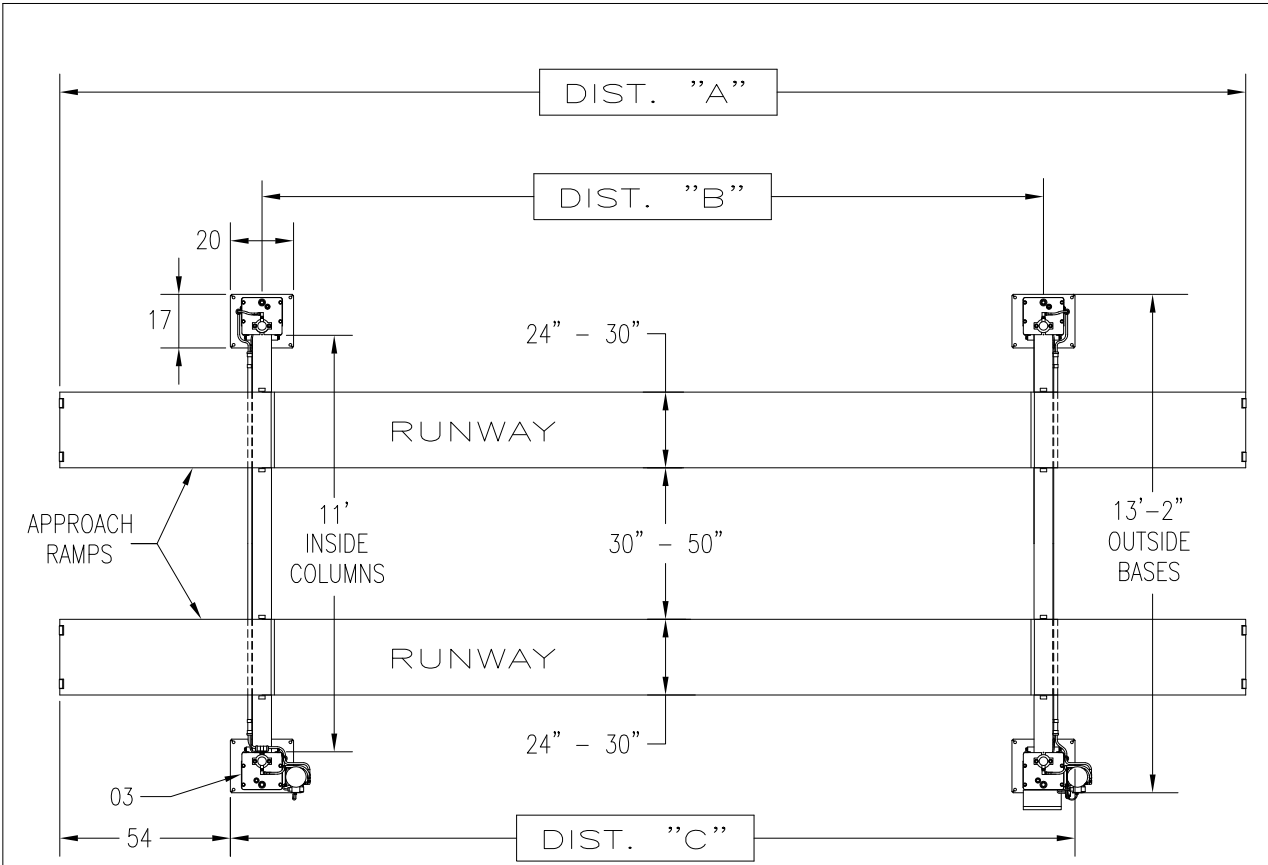


FIG.01



SPECIFICATION					
CAPACITY	35,000LBS				
FOUR COLUMNS C/W HYDRAULIC CYLINDERS					
SAFETY DEVICES ON EACH COLUMN (MECHANICAL/AIR)					
DUAL POWER UNITS C/W EL. MOTORS	STANDARD	2 x 2HP, 3PH, 230/460V			
	OPTIONAL	2 x 2HP, 3PH, 575V			
	OPTIONAL	2 x 2HP, 1PH, 230V			
SPEED OF RISE	72 SEC.				
RUNWAY WIDTH	24" - 30"		DISTANCES		
RUNWAY HEIGHT	8-3/4"		"A"	"B"	"C"
RUNWAYS LENGTH	MODEL: PK35-4-21DT	21' LONG	376"	247 <sup>3</sup> / <sub>4</sub> "	267 <sup>3</sup> / <sub>4</sub> "
	MODEL: PK35-4-24DT	24' LONG	412"	283 <sup>3</sup> / <sub>4</sub> "	303 <sup>3</sup> / <sub>4</sub> "
	MODEL: PK35-4-25DT	25' LONG	424"	295 <sup>3</sup> / <sub>4</sub> "	315 <sup>3</sup> / <sub>4</sub> "
	MODEL: PK35-4-26DT	26' LONG	436"	307 <sup>3</sup> / <sub>4</sub> "	327 <sup>3</sup> / <sub>4</sub> "
	MODEL: PK35-4-28DT	28' LONG	460"	331 <sup>3</sup> / <sub>4</sub> "	351 <sup>3</sup> / <sub>4</sub> "
	MODEL: PK35-4-30DT	30' LONG	484"	355 <sup>3</sup> / <sub>4</sub> "	375 <sup>3</sup> / <sub>4</sub> "
	MODEL: PK35-4-31DT	31' LONG	496"	367 <sup>3</sup> / <sub>4</sub> "	387 <sup>3</sup> / <sub>4</sub> "
	MODEL: PK35-4-32DT	32' LONG	508"	379 <sup>3</sup> / <sub>4</sub> "	399 <sup>3</sup> / <sub>4</sub> "
	MODEL: PK35-4-33DT	33' LONG	520"	391 <sup>3</sup> / <sub>4</sub> "	411 <sup>3</sup> / <sub>4</sub> "
MODEL: PK35-4-34DT	34' LONG	532"	403 <sup>3</sup> / <sub>4</sub> "	423 <sup>3</sup> / <sub>4</sub> "	
INSIDE COLUMN CLEARANCE	11'				
OVERALL LIFTING HEIGHT	5'-8 3/4"				
OVERALL HEIGHT	12'-4"				
OVERALL WIDTH	13'-10"				
OPTIONAL - ROLLING JACKING BEAM					

