

SPECIFICATION			
CAPACITY	40,000LBS		
FOUR COLUMNS C/W HYDRAULIC CYLINDERS			
SAFETY DEVICES ON EACH COLUMN (MECHANICAL/AIR)			
DUAL POWER UNITS C/W EL. MOTORS	STANDARD	2 x 2HP, 3PH, 230/460V	
	OPTIONAL	2 x 2HP, 3PH, 575V	
	OPTIONAL	2 x 2HP, 1PH, 230V	
SPEED OF RISE	72 SEC.		
RUNWAY WIDTH	24" - 30"		DISTANCES
RUNWAY HEIGHT	8-3/4"		"A" "B" "C"
RUNWAYS LENGTH	MODEL: PK40-4-21	21' LONG	321" 247 ³ / ₄ " 267 ³ / ₄ "
	MODEL: PK40-4-24	24' LONG	357" 283 ³ / ₄ " 303 ³ / ₄ "
	MODEL: PK40-4-25	25' LONG	369" 295 ³ / ₄ " 315 ³ / ₄ "
	MODEL: PK40-4-26	26' LONG	381" 307 ³ / ₄ " 327 ³ / ₄ "
	MODEL: PK40-4-28	28' LONG	405" 331 ³ / ₄ " 351 ³ / ₄ "
	MODEL: PK40-4-30	30' LONG	429" 355 ³ / ₄ " 375 ³ / ₄ "
	MODEL: PK40-4-31	31' LONG	441" 367 ³ / ₄ " 387 ³ / ₄ "
	MODEL: PK40-4-32	32' LONG	453" 379 ³ / ₄ " 399 ³ / ₄ "
	MODEL: PK40-4-33	33' LONG	465" 391 ³ / ₄ " 411 ³ / ₄ "
MODEL: PK40-4-34	34' LONG	477" 403 ³ / ₄ " 423 ³ / ₄ "	
INSIDE COLUMN CLEARANCE	132"		
OVERALL LIFTING HEIGHT	68 3/4"		
OVERALL HEIGHT	12'-4"		
OVERALL WIDTH	13'-10"		
OPTIONAL - ROLLING JACKING BEAM			

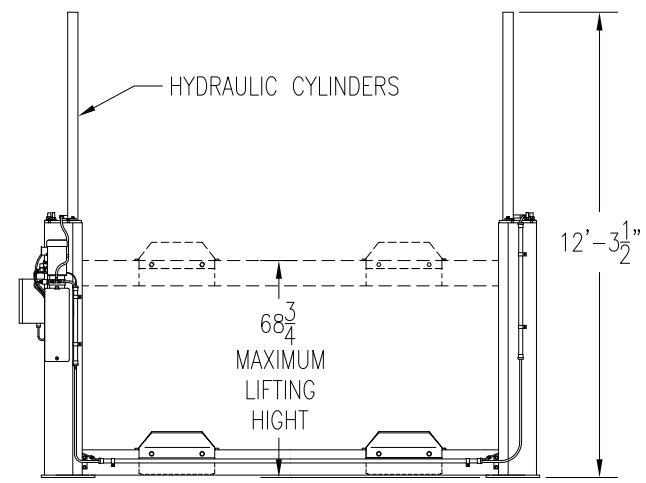
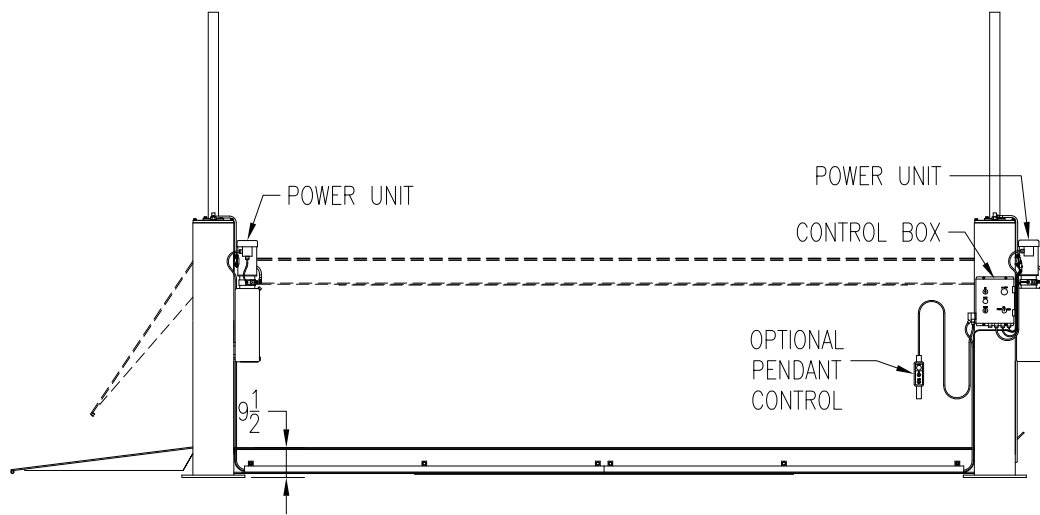
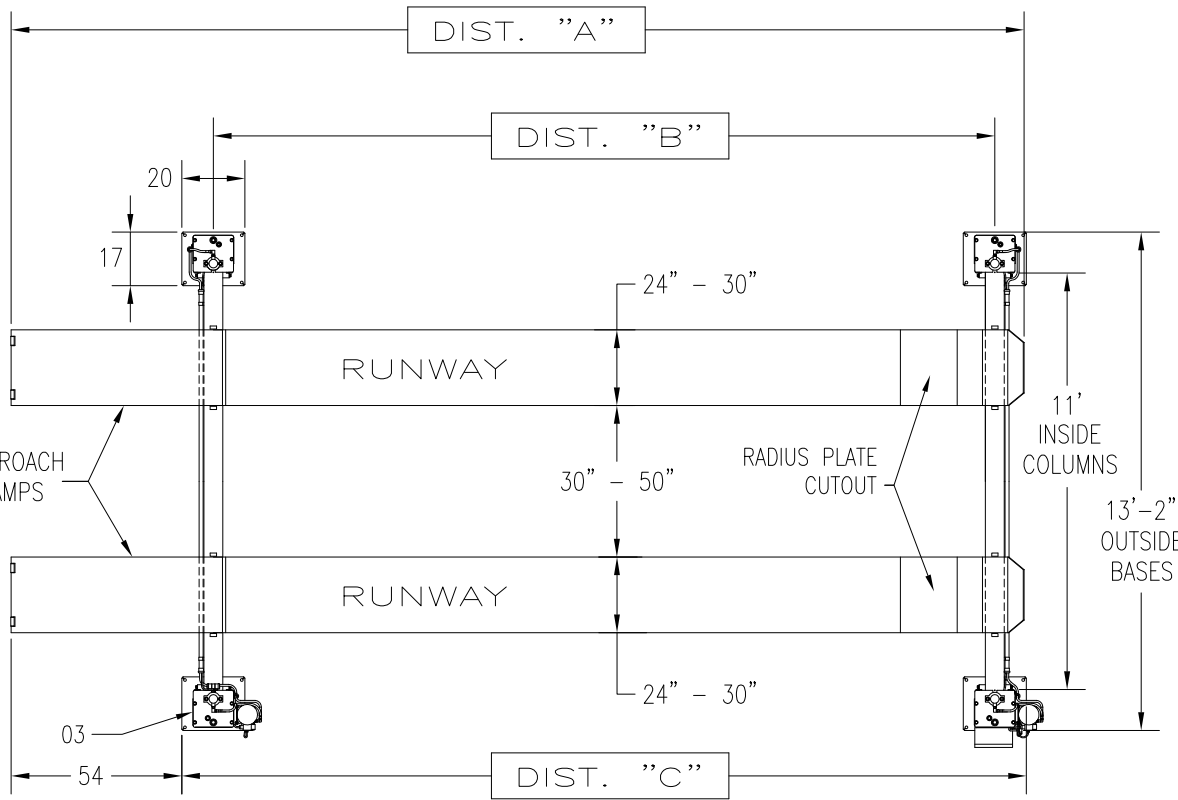


FIG.01



SPECIFICATION					
CAPACITY	40,000LBS				
FOUR COLUMNS C/W HYDRAULIC CYLINDERS					
SAFETY DEVICES ON EACH COLUMN (MECHANICAL/AIR)					
DUAL POWER UNITS C/W EL. MOTORS	STANDARD	2 x 2HP, 3PH, 230/460V			
	OPTIONAL	2 x 2HP, 3PH, 575V			
	OPTIONAL	2 x 2HP, 1PH, 230V			
SPEED OF RISE	72 SEC.				
RUNWAY WIDTH	24" - 30"		DISTANCES		
RUNWAY HEIGHT	8-3/4"		"A" "B" "C"		
RUNWAYS LENGTH	MODEL: PK40-4-21	21' LONG	321"	247 ³ / ₄ "	267 ³ / ₄ "
	MODEL: PK40-4-24	24' LONG	357"	283 ³ / ₄ "	303 ³ / ₄ "
	MODEL: PK40-4-25	25' LONG	369"	295 ³ / ₄ "	315 ³ / ₄ "
	MODEL: PK40-4-26	26' LONG	381"	307 ³ / ₄ "	327 ³ / ₄ "
	MODEL: PK40-4-28	28' LONG	405"	331 ³ / ₄ "	351 ³ / ₄ "
	MODEL: PK40-4-30	30' LONG	429"	355 ³ / ₄ "	375 ³ / ₄ "
	MODEL: PK40-4-31	31' LONG	441"	367 ³ / ₄ "	387 ³ / ₄ "
	MODEL: PK40-4-32	32' LONG	453"	379 ³ / ₄ "	399 ³ / ₄ "
	MODEL: PK40-4-33	33' LONG	465"	391 ³ / ₄ "	411 ³ / ₄ "
MODEL: PK40-4-34	34' LONG	477"	403 ³ / ₄ "	423 ³ / ₄ "	
INSIDE COLUMN CLEARANCE	132"				
OVERALL LIFTING HEIGHT	68 3/4"				
OVERALL HEIGHT	12'-4"				
OVERALL WIDTH	13'-10"				
OPTIONAL - ROLLING JACKING BEAM					

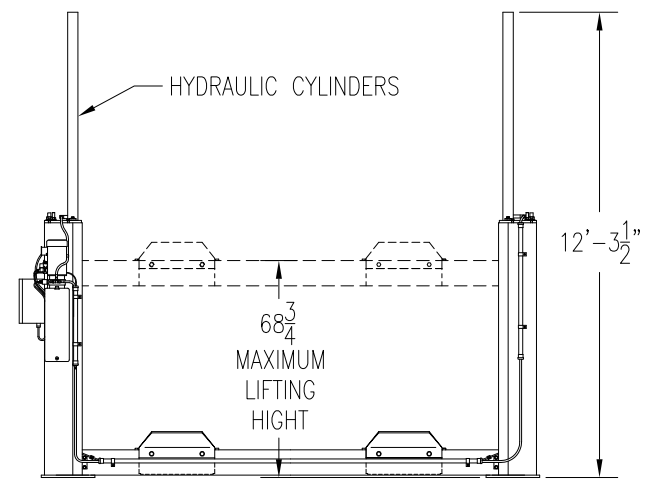
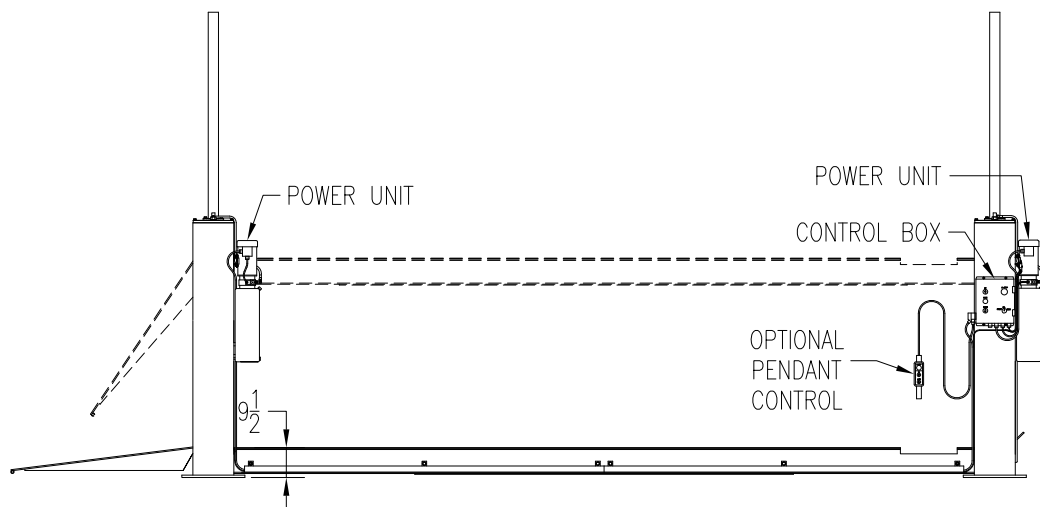
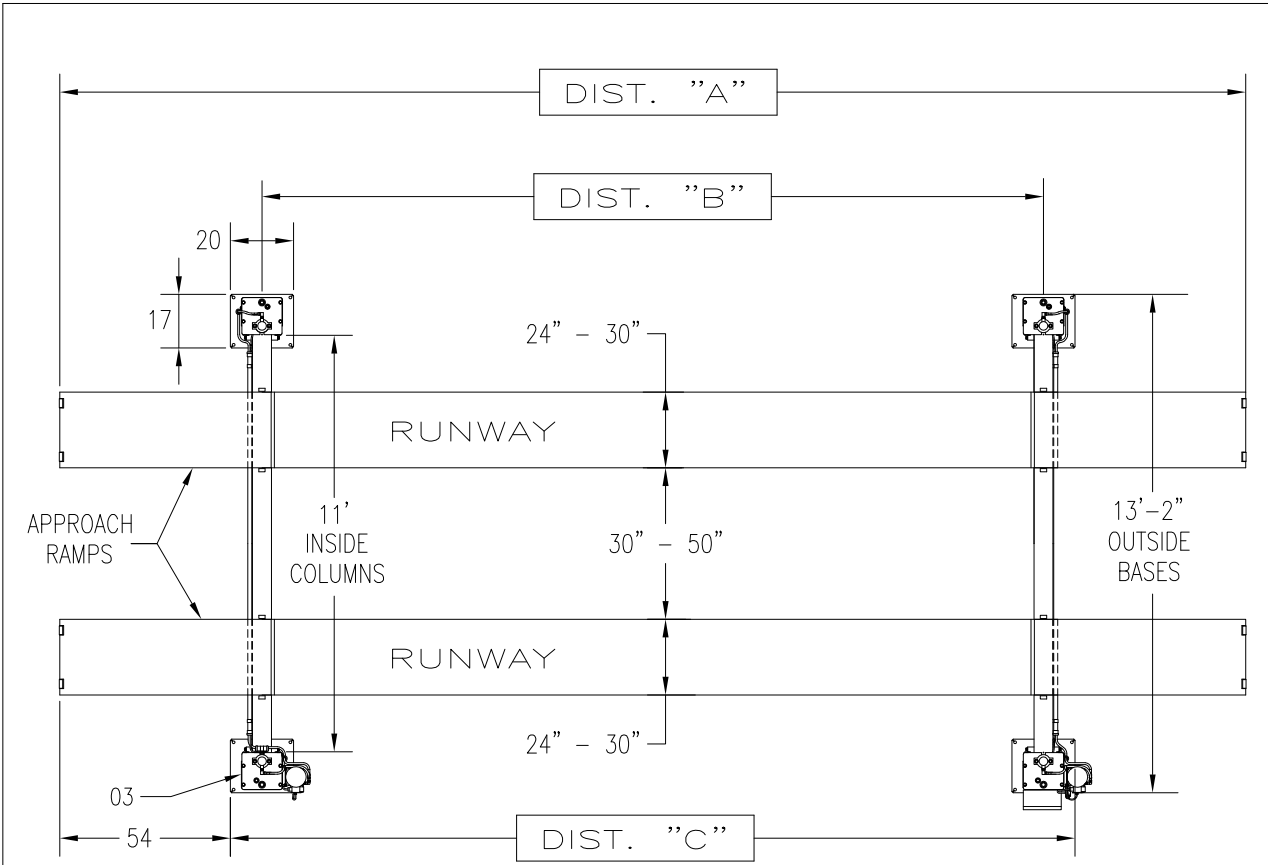


FIG.01



SPECIFICATION			
CAPACITY	40,000LBS		
FOUR COLUMNS C/W HYDRAULIC CYLINDERS			
SAFETY DEVICES ON EACH COLUMN (MECHANICAL/AIR)			
DUAL POWER UNITS C/W EL. MOTORS	STANDARD	2 x 2HP, 3PH, 230/460V	
	OPTIONAL	2 x 2HP, 3PH, 575V	
	OPTIONAL	2 x 2HP, 1PH, 230V	
SPEED OF RISE	72 SEC.		
RUNWAY WIDTH	24" - 30"		DISTANCES
RUNWAY HEIGHT	8-3/4"		"A" "B" "C"
RUNWAYS LENGTH	MODEL: PK40-4-21DT	21' LONG	376" 247 3/4" 267 3/4"
	MODEL: PK40-4-24DT	24' LONG	412" 283 3/4" 303 3/4"
	MODEL: PK40-4-25DT	25' LONG	424" 295 3/4" 315 3/4"
	MODEL: PK40-4-26DT	26' LONG	436" 307 3/4" 327 3/4"
	MODEL: PK40-4-28DT	28' LONG	460" 331 3/4" 351 3/4"
	MODEL: PK40-4-30DT	30' LONG	484" 355 3/4" 375 3/4"
	MODEL: PK40-4-31DT	31' LONG	496" 367 3/4" 387 3/4"
	MODEL: PK40-4-32DT	32' LONG	508" 379 3/4" 399 3/4"
	MODEL: PK40-4-33DT	33' LONG	520" 391 3/4" 411 3/4"
MODEL: PK40-4-34DT	34' LONG	532" 403 3/4" 423 3/4"	
INSIDE COLUMN CLEARANCE	11'		
OVERALL LIFTING HEIGHT	5'-8 3/4"		
OVERALL HEIGHT	12'-4"		
OVERALL WIDTH	13'-10"		
OPTIONAL - ROLLING JACKING BEAM			

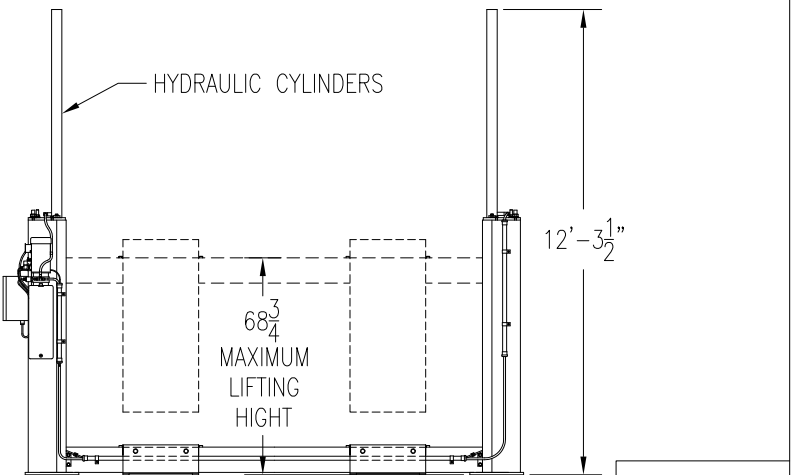
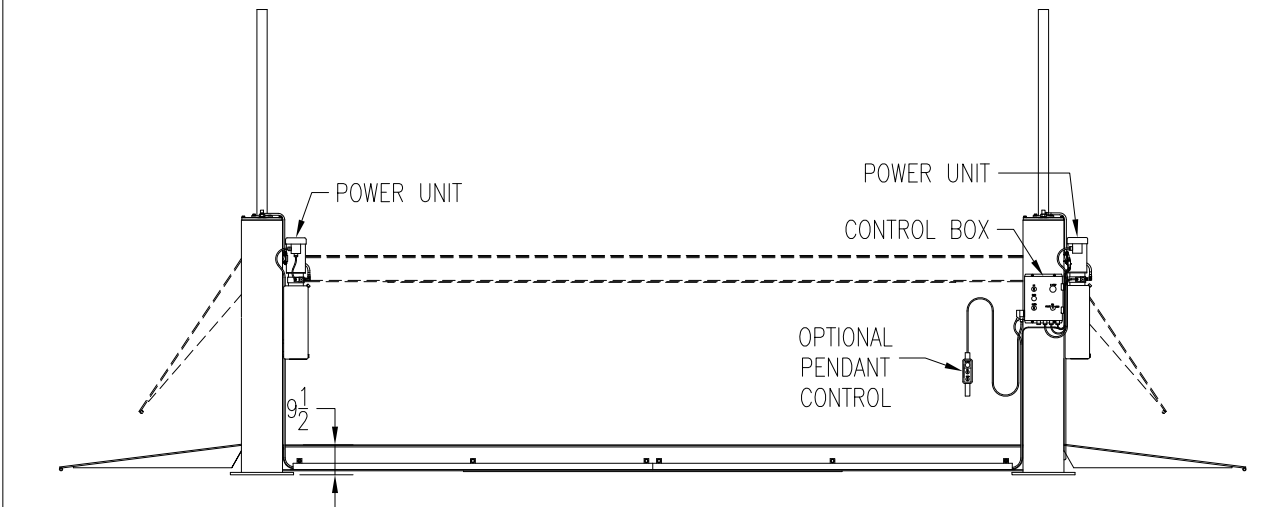
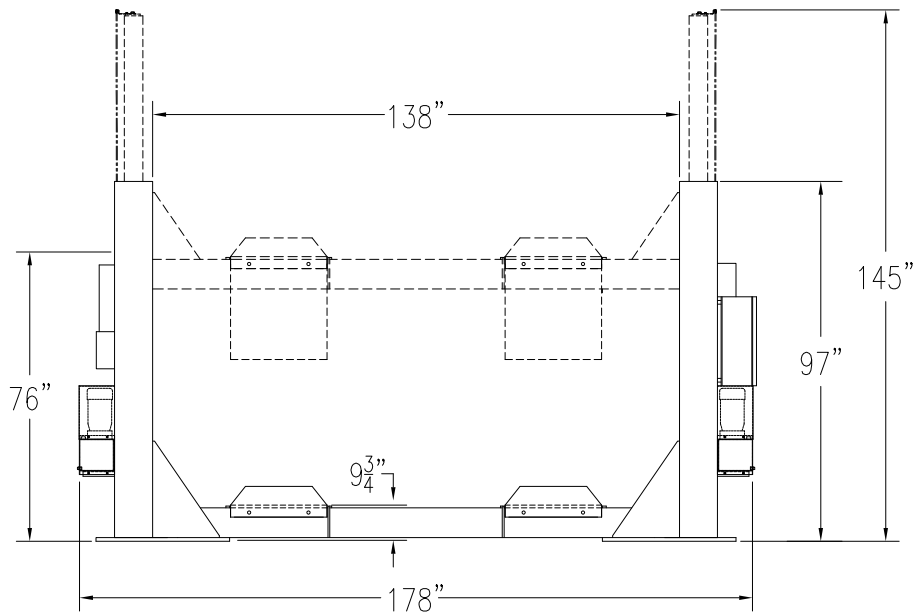
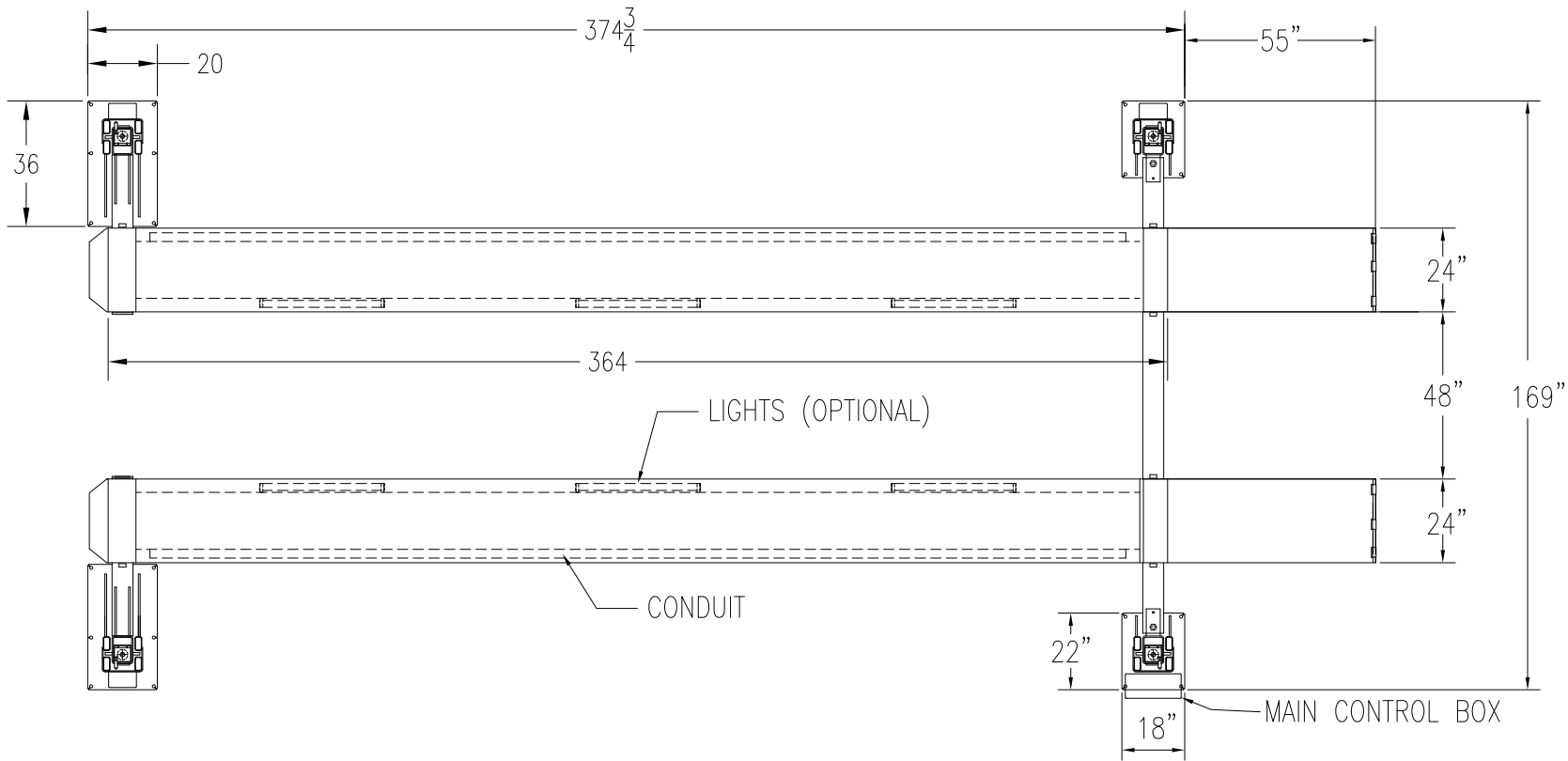


FIG.01.DT



CAPACITY	40,000 LBS	INSIDE COLUMN CLEARANCE	138"
FOUR HYDRAULIC CYLINDERS		RUNWAY HEIGHT	10"
FOUR POWER UNITS		RUNWAY WIDTH	24"
PLC BASED CONTROL SYSTEM		OVERALL HEIGHT	97"
SAFETY DEVICES ON EACH COLUMN(MECH.,HYDR.)		OVERALL LIFTING HEIGHT	76"
ELECTRICAL 4 X 2HP (230/460 V)		OVERALL WIDTH	176"
WHEELBASE 340"		OPTIONAL - ROLLING JACKING BEAM	

TITLE		NOTES	
FOUR POST LIFT - PK40-4-EOF - SPECIFICATION		PK40-4-EOF	
P K S	MAY.30/2007	DWG PK404EOF-FIG.01	A