

SPECIFICATION

CAPACITY		80,000LBS			
FOUR COLUMNS C/W HYDRAULIC CYLINDERS					
SAFETY DEVICES ON EACH COLUMN (MECHAN./ELECTR.,HYDR.)					
PLC BASED CONTROL SYSTEM					
4 POWER UNITS C/W EL. MOTORS	STANDARD	4 x 2HP, 3PH, 230/460V			
	OPTIONAL	4 x 2HP, 3PH, 575V			
	OPTIONAL	4 x 2HP, 1PH, 230V			
SPEED OF RISE		80 SEC.			
RUNWAY WIDTH		30"			
RUNWAY HEIGHT		13"			
		DISTANCES			
		"A"	"B"	"C"	
RUNWAYS LENGTH	MODEL: PK80-4-20E	20' LONG	336 $\frac{1}{2}$ "	234 $\frac{1}{2}$ "	252 $\frac{1}{2}$ "
	MODEL: PK80-4-25E	25' LONG	396 $\frac{1}{2}$ "	294 $\frac{1}{2}$ "	312 $\frac{1}{2}$ "
	MODEL: PK80-4-30E	30' LONG	456 $\frac{1}{2}$ "	354 $\frac{1}{2}$ "	372 $\frac{1}{2}$ "
	MODEL: PK80-4-35E	35' LONG	516 $\frac{1}{2}$ "	414 $\frac{1}{2}$ "	432 $\frac{1}{2}$ "
	MODEL: PK80-4-40E	40' LONG	576 $\frac{1}{2}$ "	474 $\frac{1}{2}$ "	492 $\frac{1}{2}$ "
INSIDE COLUMN CLEARANCE		142"			
OVERALL LIFTING HEIGHT		80"			
OVERALL HEIGHT RISED		12'-2 $\frac{1}{2}$ "			
OVERALL WIDTH		13'-10"			
OPTIONAL - ROLLING JACKING BEAM					

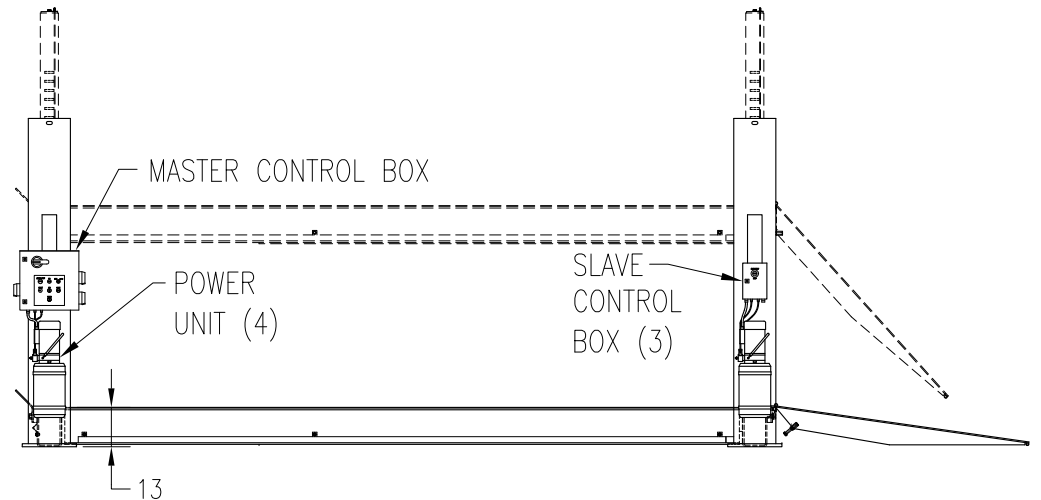
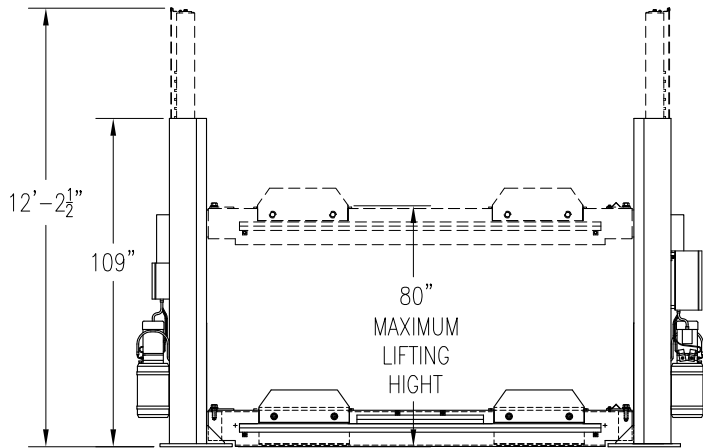
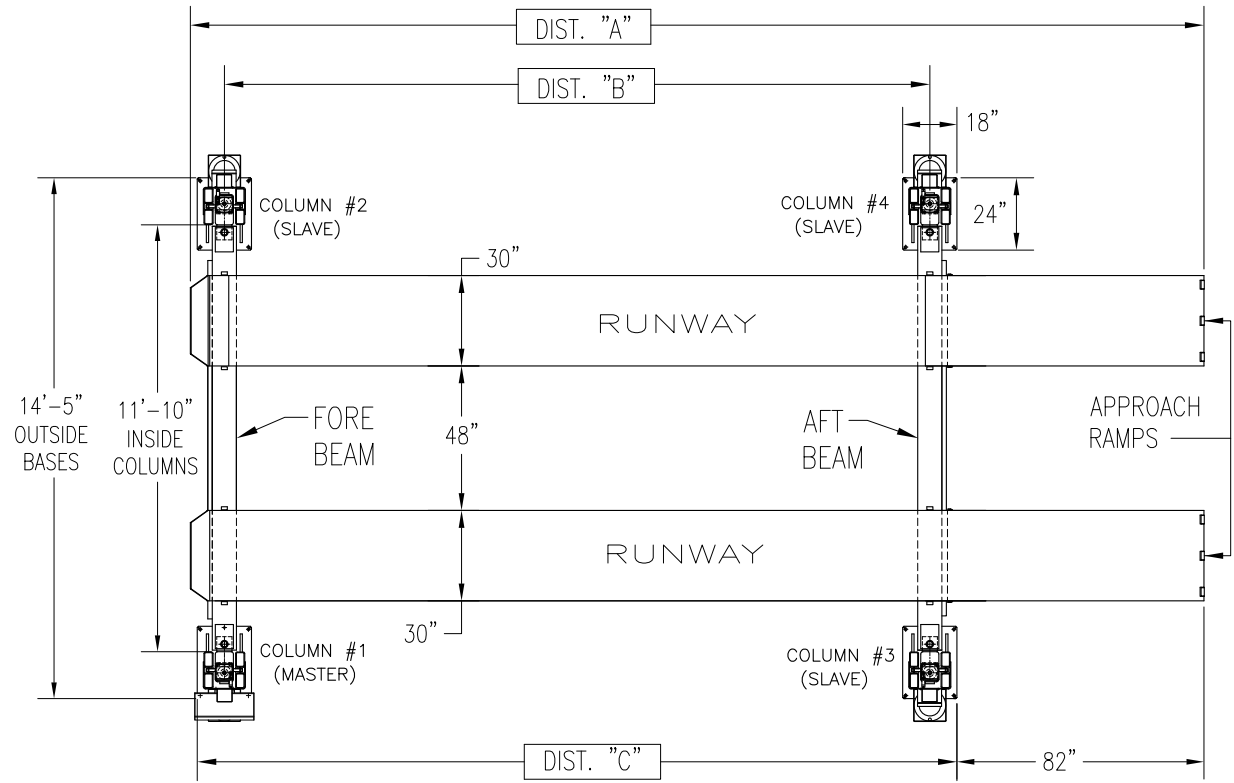


FIG.01

SPECIFICATION

CAPACITY		80,000LBS			
FOUR COLUMNS C/W HYDRAULIC CYLINDERS					
SAFETY DEVICES ON EACH COLUMN (MECHAN./ELECTR.,HYDR.)					
PLC BASED CONTROL SYSTEM					
4 POWER UNITS C/W EL. MOTORS	STANDARD	4 x 2HP, 3PH, 230/460V			
	OPTIONAL	4 x 2HP, 3PH, 575V			
	OPTIONAL	4 x 2HP, 1PH, 230V			
SPEED OF RISE		80 SEC.			
RUNWAY WIDTH		30"			
RUNWAY HEIGHT		13"			
		DISTANCES			
		"A"	"B"	"C"	
RUNWAYS LENGTH	MODEL: PK80-4-20-E-DT	20' LONG	416"	234 $\frac{1}{2}$ "	252 $\frac{1}{2}$ "
	MODEL: PK80-4-25-E-DT	25' LONG	476"	294 $\frac{1}{2}$ "	312 $\frac{1}{2}$ "
	MODEL: PK80-4-30-E-DT	30' LONG	536"	354 $\frac{1}{2}$ "	372 $\frac{1}{2}$ "
	MODEL: PK80-4-35-E-DT	35' LONG	596"	414 $\frac{1}{2}$ "	432 $\frac{1}{2}$ "
	MODEL: PK80-4-40-E-DT	40' LONG	656"	474 $\frac{1}{2}$ "	492 $\frac{1}{2}$ "
INSIDE COLUMN CLEARANCE		142"			
OVERALL LIFTING HEIGHT		80"			
OVERALL HEIGHT RISED		12'-2 $\frac{1}{2}$ "			
OVERALL WIDTH		13'-10"			
OPTIONAL - ROLLING JACKING BEAM					

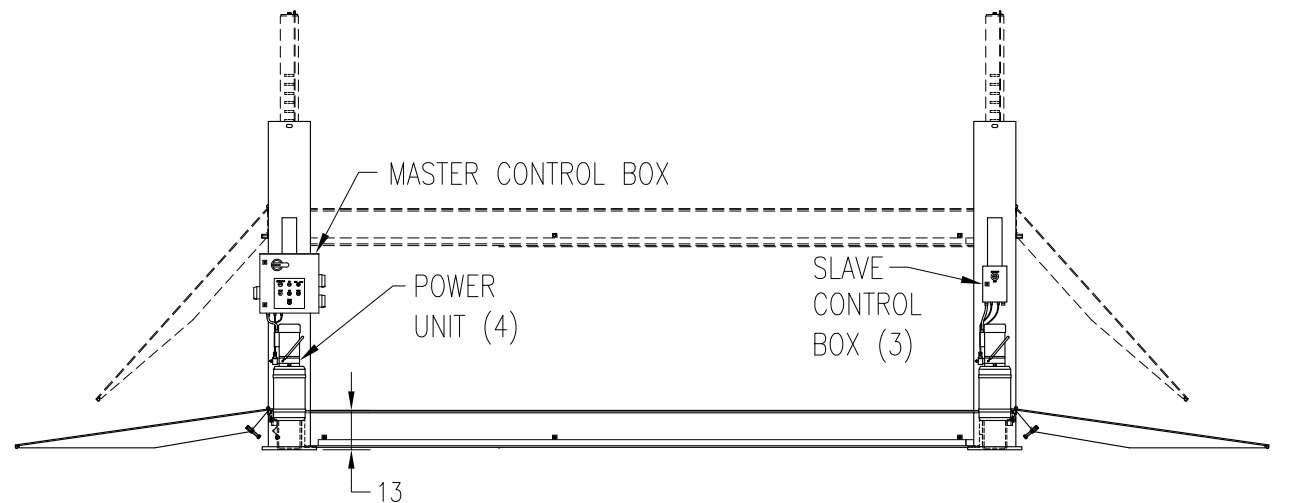
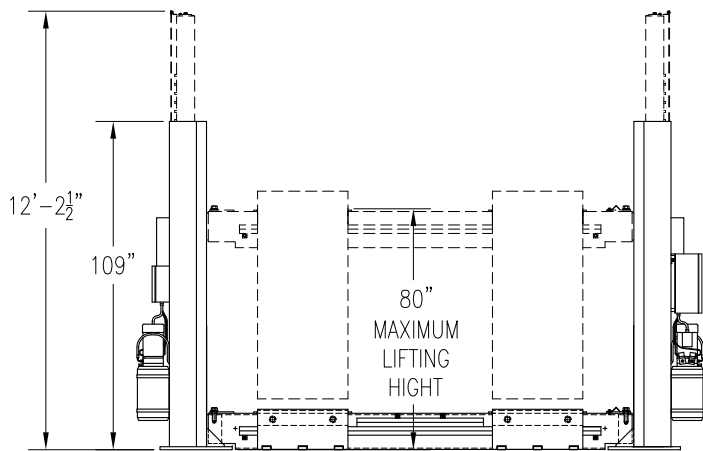
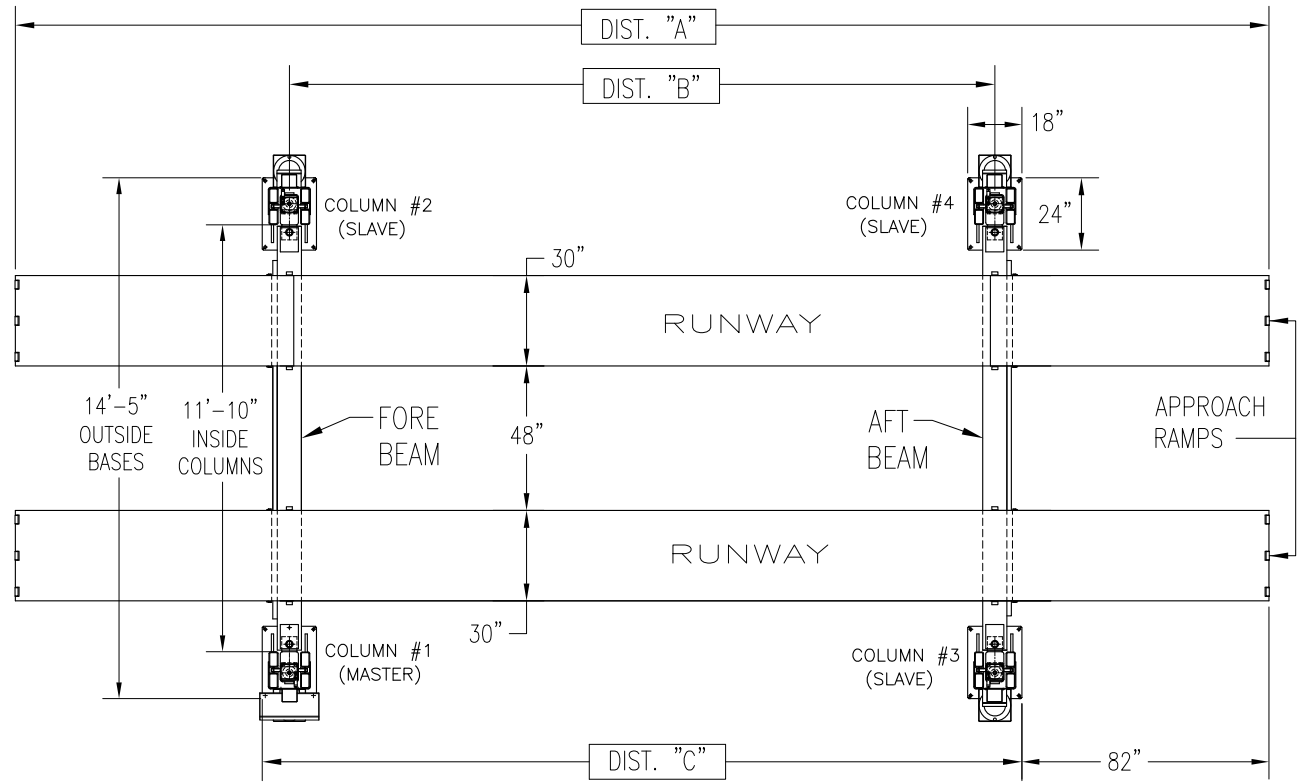
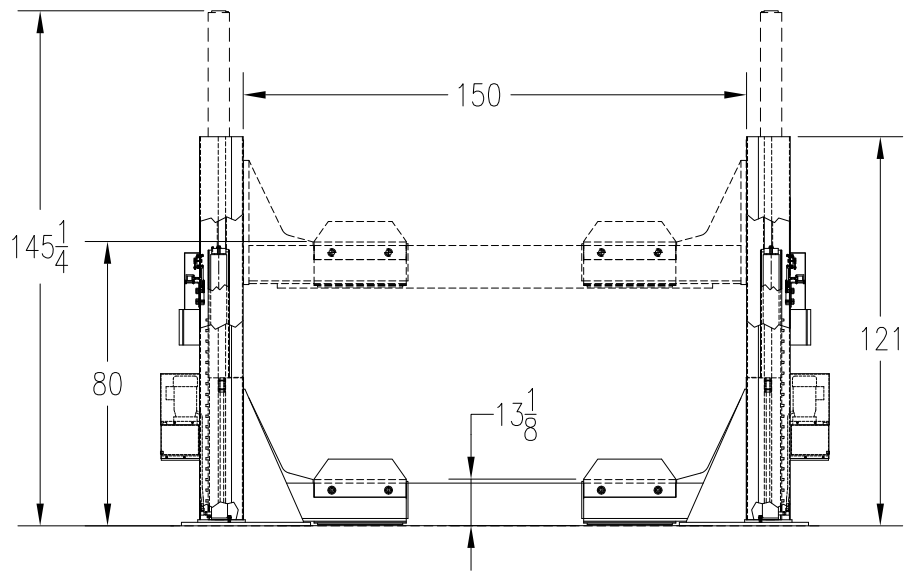
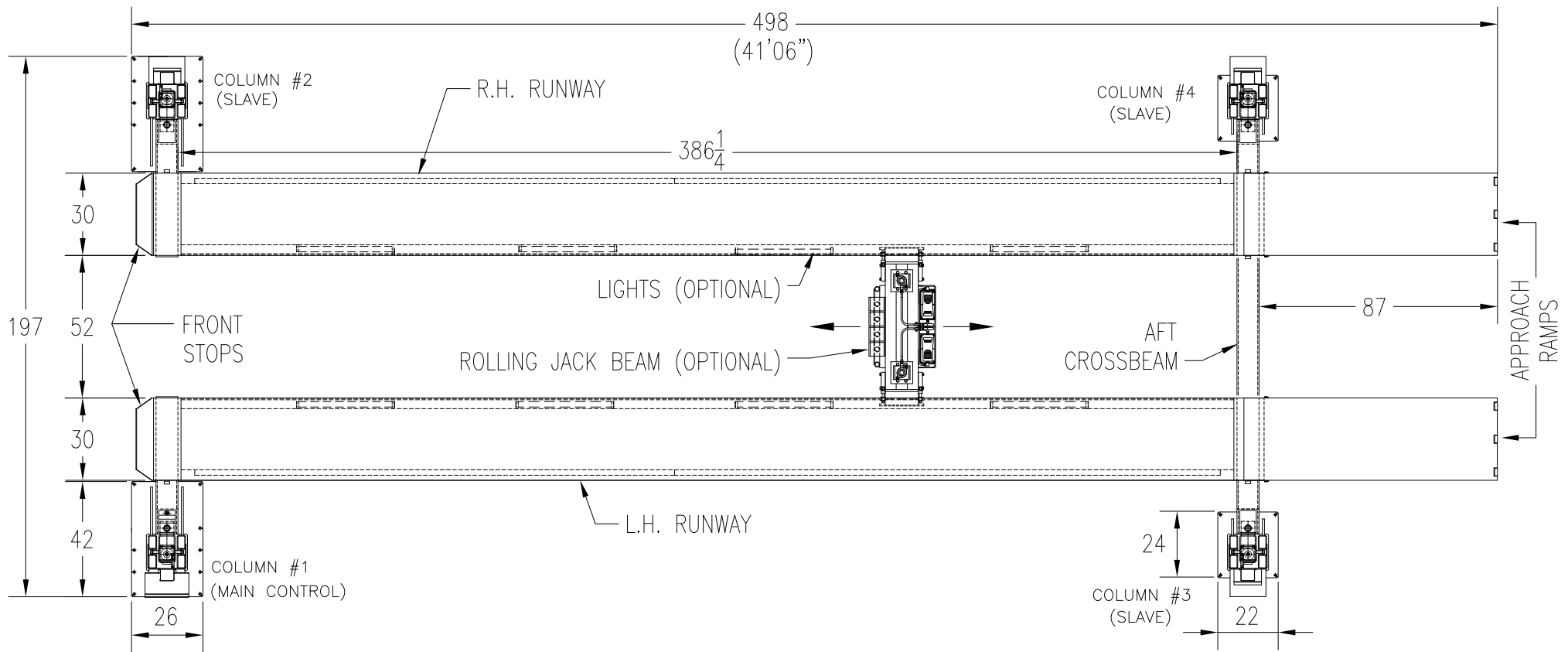


FIG.01



CAPACITY	80,000 LBS	INSIDE COLUMN CLEARANCE	150"
FOUR HYDRAULIC CYLINDERS		RUNWAY HEIGHT	13"
FOUR POWER UNITS		RUNWAY WIDTH	30"
PLC BASED CONTROL SYSTEM		OVERALL HEIGHT	121"
SAFETY DEVICES ON EACH COLUMN(MECH.,HYDR.)		OVERALL LIFTING HEIGHT	80"
ELECTRICAL 4 x 3HP (575V)		OVERALL WIDTH	194"
WHEELBASE	30'	OPTIONAL - ROLLING JACKING BEAM	

TITLE	MATERIAL	NOTES
4 POST LIFT 80.32 OPEN FRONT BEAM	SPEC.	PK80E-4-32-OFB
P K S	DWG	PK80E4320FB-01
JULY 15/2011		A