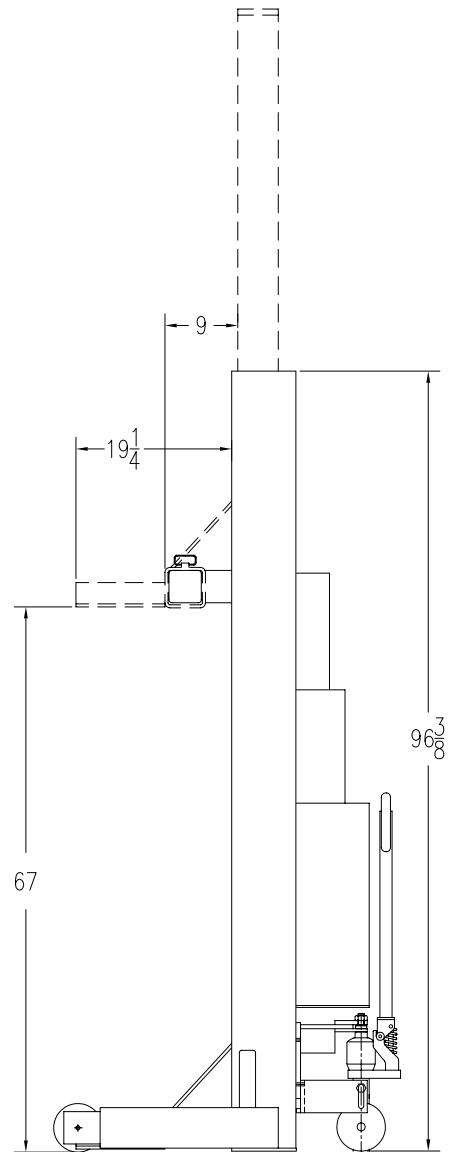
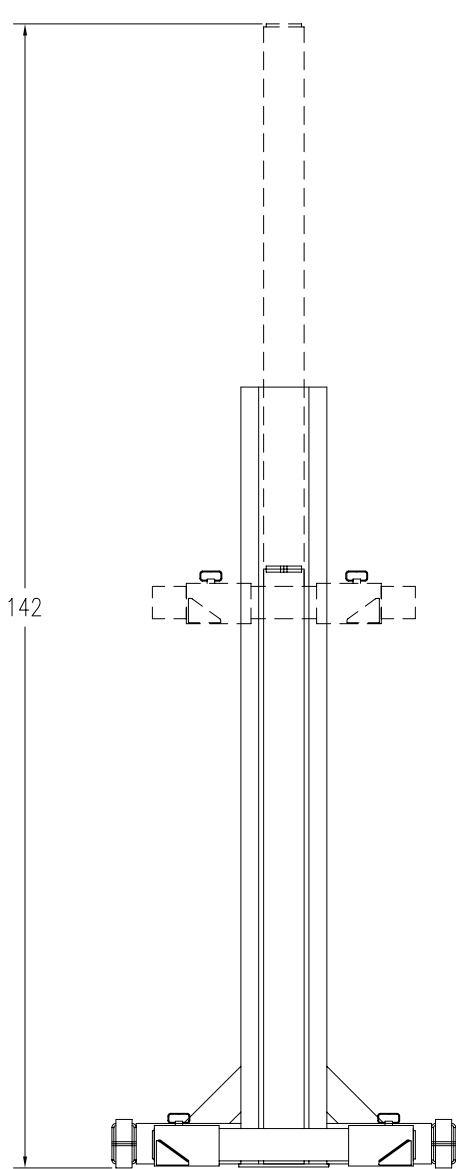


CAPACITY PER COLUMN - 12,000 lbs
 LIFTING HEIGHT UP TO 67"
 LIFTING SPEED - 46 seconds
 ELECTRIC/HYDRAULIC SYSTEM
 AUTOMATIC MULTI-POSITION MECHANICAL LOCK
 HYD. OPERATED THIRD WHEEL
 ADJUSTABLE FORKS (13" TO 23-1/2" INSIDE)



MOBILE LIFT COLUMN
 MODEL:PKMC12-SB4