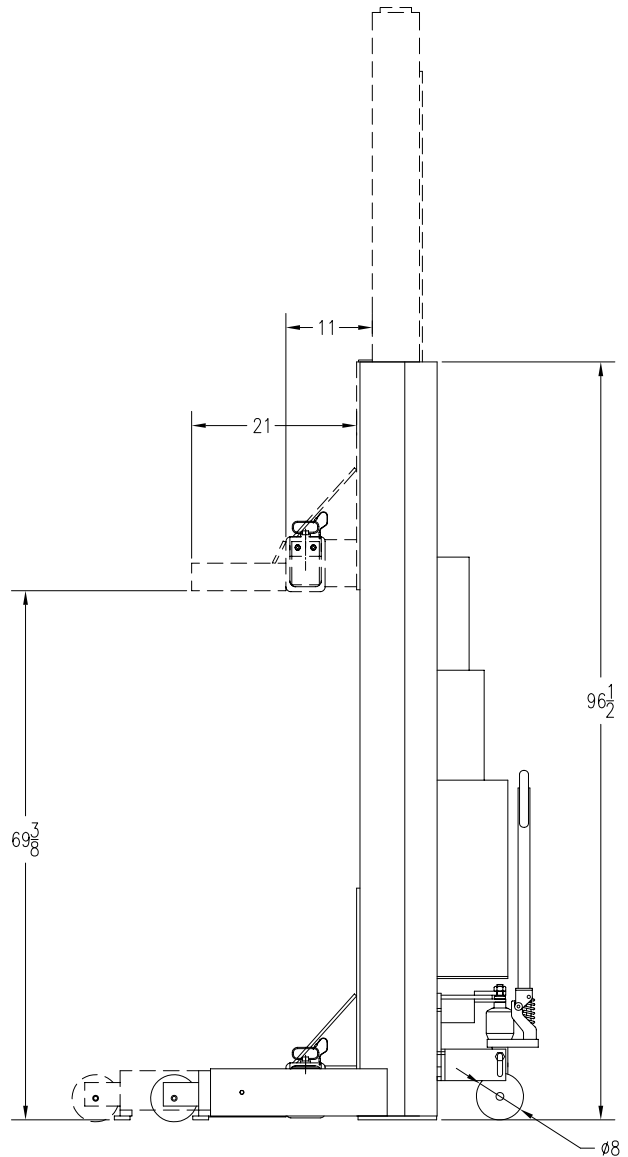
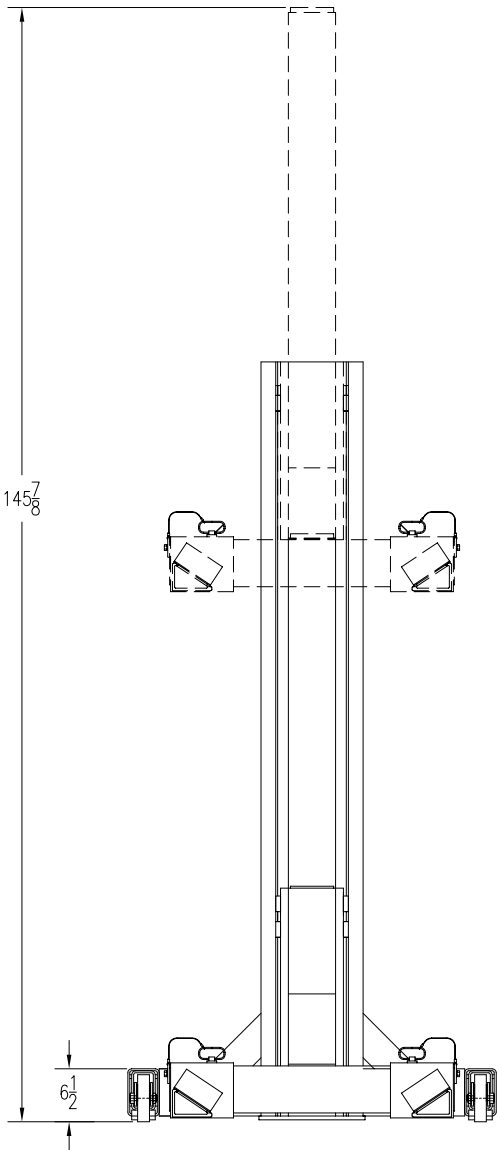


CAPACITY PER COLUMN - 20,000 lbs  
 LIFTING HEIGHT UP TO 69"  
 LIFTING SPEED - 68 seconds  
 ELECTRIC/HYDRAULIC SYSTEM  
 AUTOMATIC MULTI-POSITION MECHANICAL LOCK  
 HYD. OPERATED THIRD WHEEL  
 ADJUSTABLE FORKS ( 13" TO 25-1/2" INSIDE)  
 SPRING LOADED FRONT WHEELS



MOBILE LIFT COLUMN  
 MODEL: PKMC-20