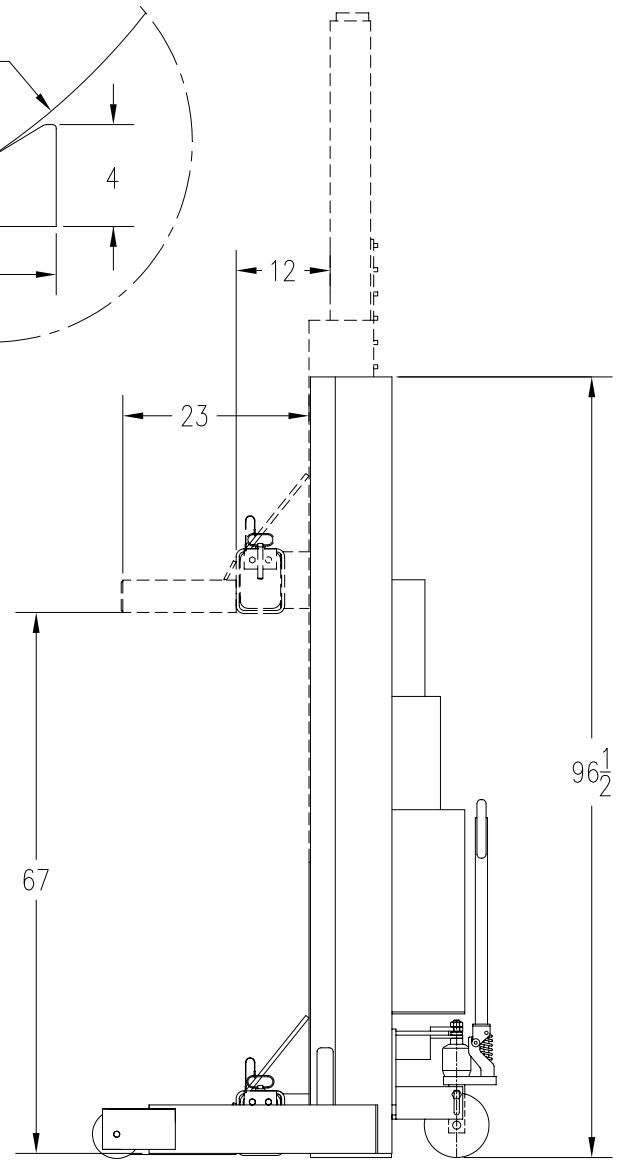
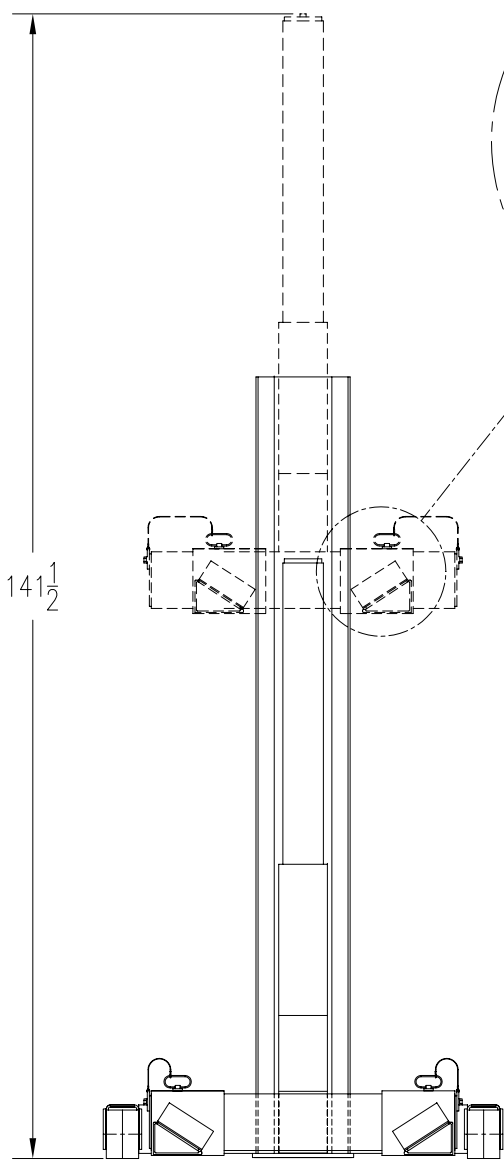
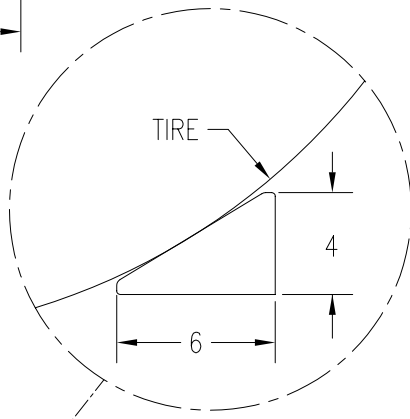
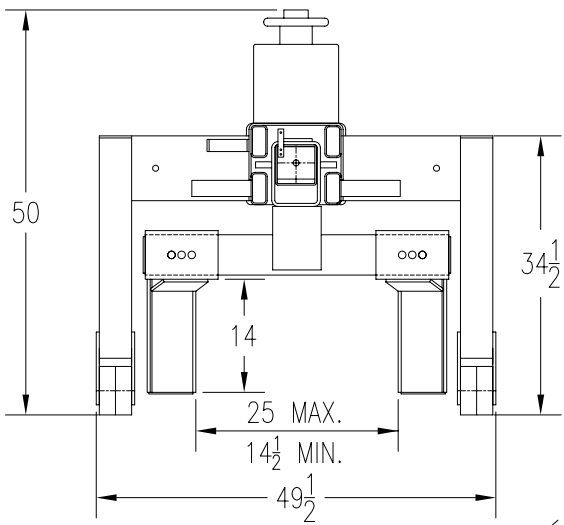


CAPACITY PER COLUMN - 24,000 lbs
 LIFTING HEIGHT UP TO 67"
 LIFTING SPEED - 90 seconds
 ELECTRIC/HYDRAULIC SYSTEM
 AUTOMATIC MULTI-POSITION MECHANICAL LOCK
 HYD. OPERATED THIRD WHEEL
 ADJUSTABLE FORKS (14-1/2" TO 25" INSIDE)



MOBILE LIFT COLUMN
 MODEL: PKMC-24