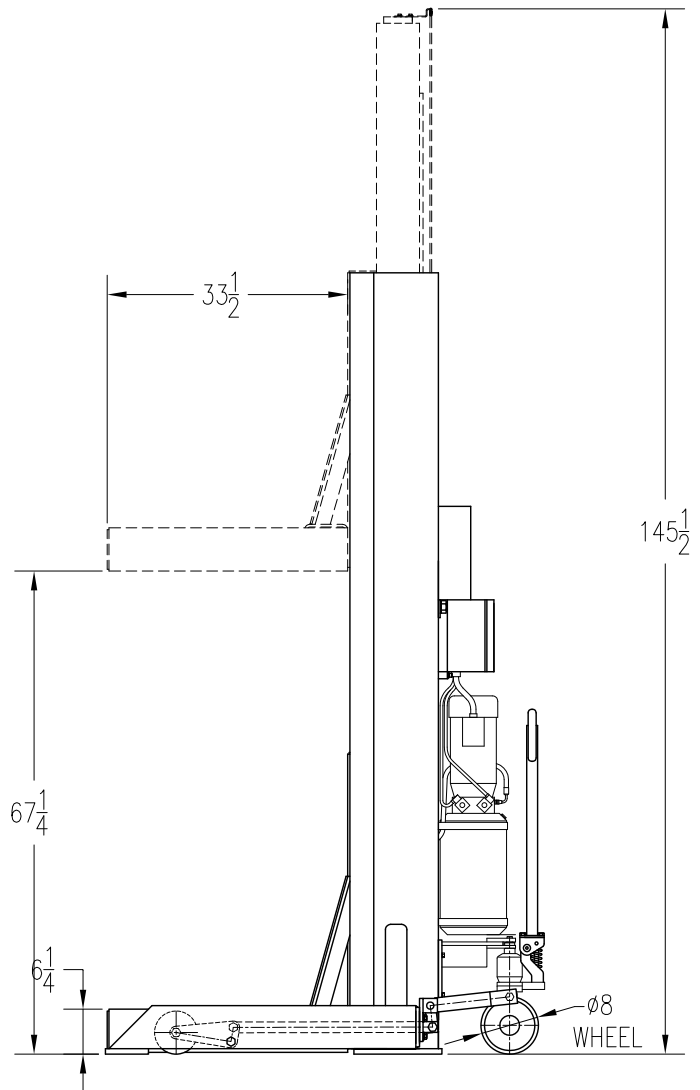
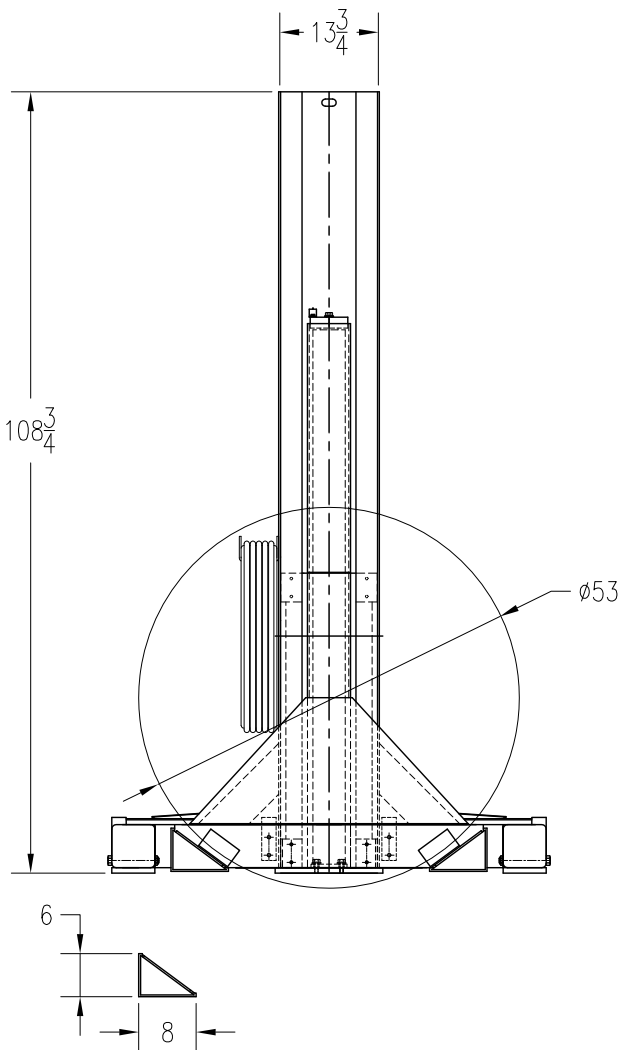
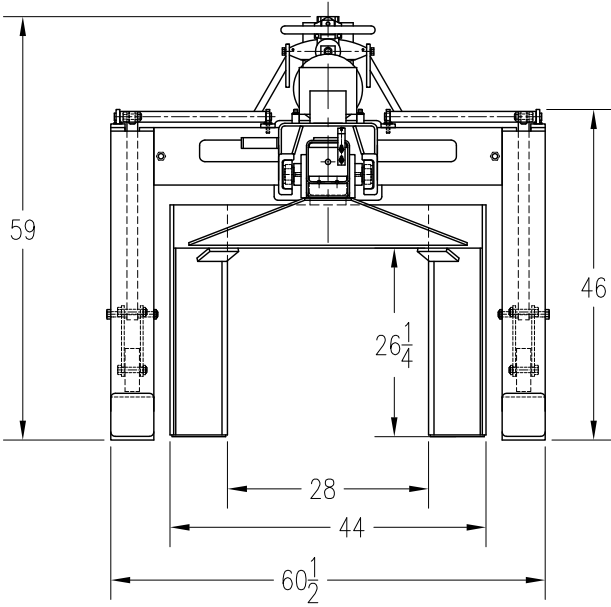


CAPACITY PER COLUMN – 30,000 LBS
 LIFTING HEIGHT UP TO 67”
 LIFTING SPEED – 120 seconds
 ELECTRIC/HYDRAULIC SYSTEM
 AUTOMATIC MULTI-POSITION MECHANICAL LOCK
 HYDRAULICALLY OPERATED WHEELS
 FORK LIFT MAST CHANNELS & ROLLERS



MOBILE LIFT COLUMN
 MODEL: M30PC4.53