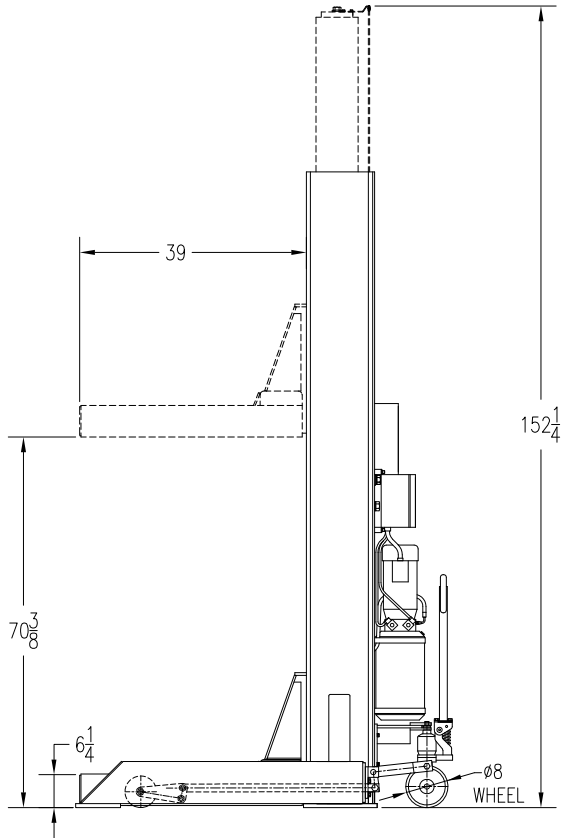
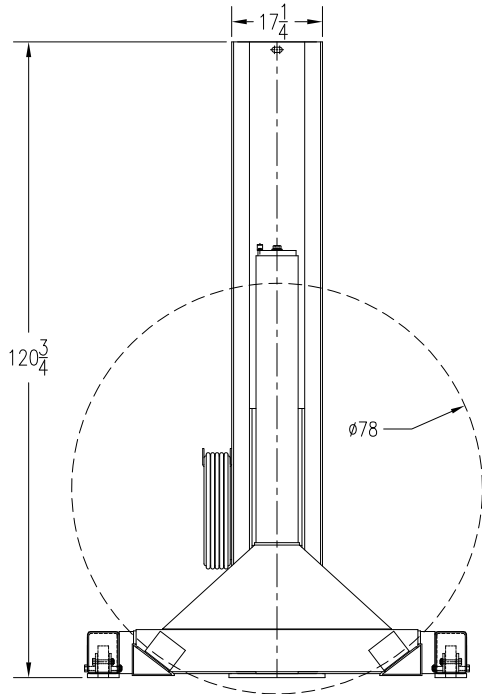
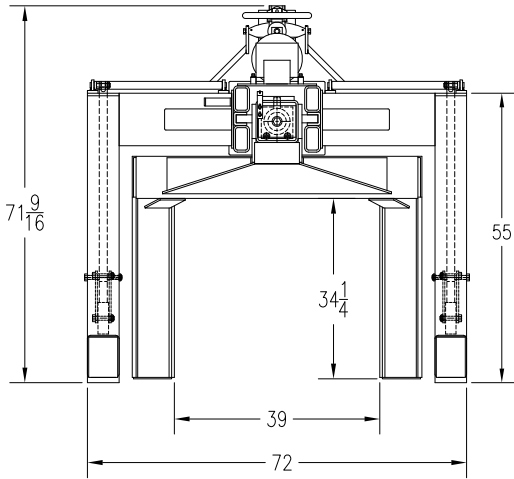


CAPACITY PER COLUMN – 40,000 lbs
 LIFTING HEIGHT UP TO 70”
 LIFTING SPEED – 120 seconds
 ELECTRIC/HYDRAULIC SYSTEM
 AUTOMATIC MULTI-POSITION MECHANICAL LOCK
 HYD. OPERATED THIRD WHEEL
 MAX. WHEEL DIA. – 78”



MOBILE LIFT COLUMN
 MODEL: PKMC40.78.34