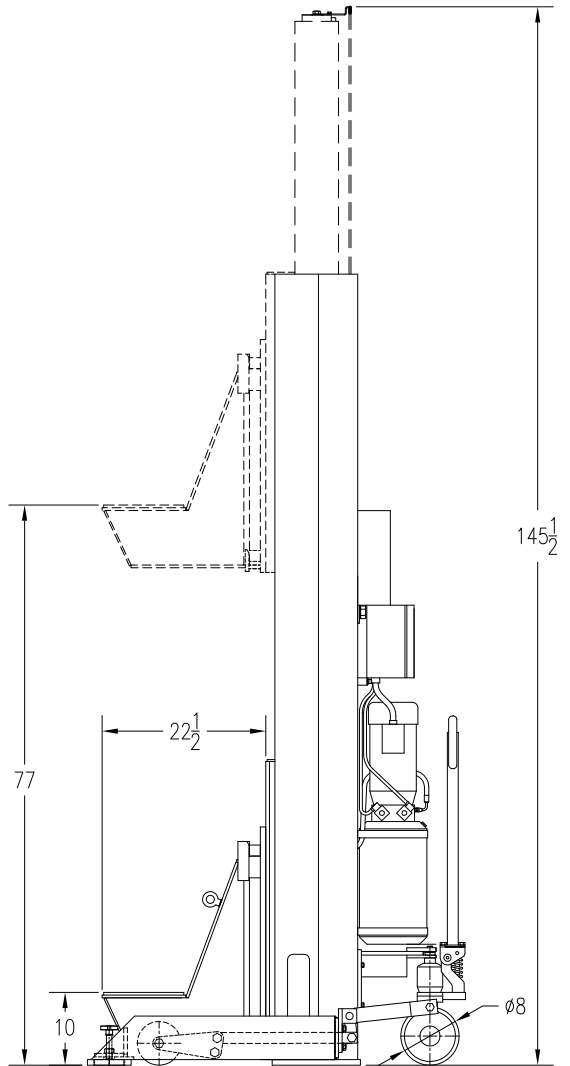
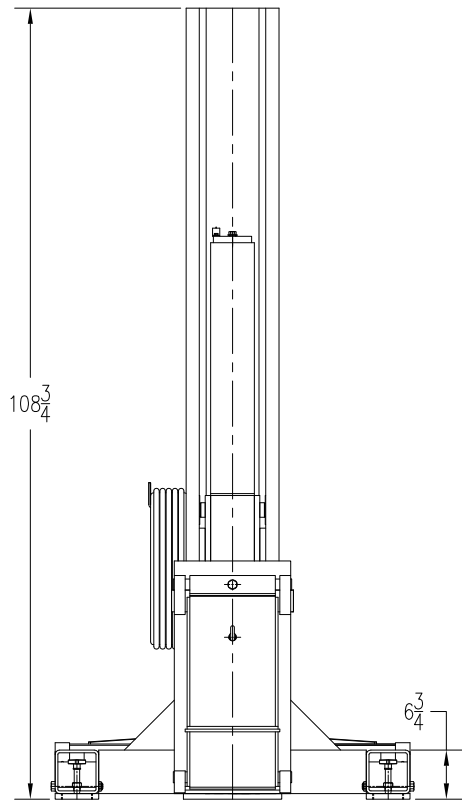


CAPACITY PER COLUMN - 30,000 lbs
 LIFTING HEIGHT UP TO 77"
 LIFTING SPEED - 120 seconds
 ELECTRIC/HYDRAULIC SYSTEM
 AUTOMATIC MULTI-POSITION MECHANICAL LOCK
 HYD. OPERATED THIRD WHEEL



MOBILE LIFT COLUMN
 MODEL: PKMC-30R