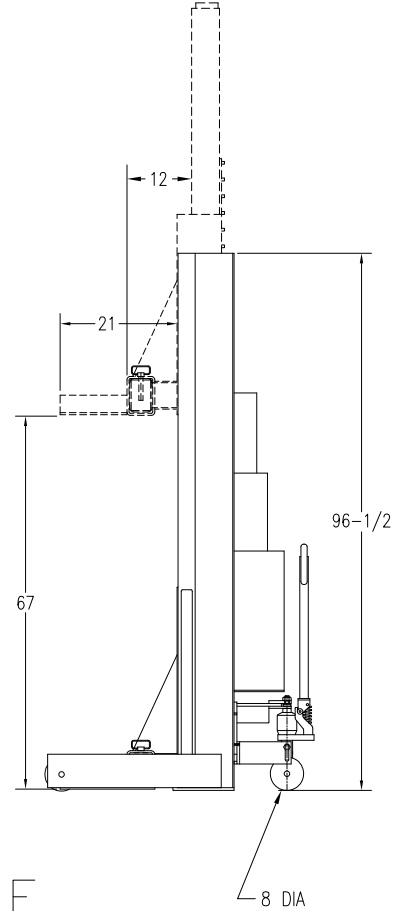
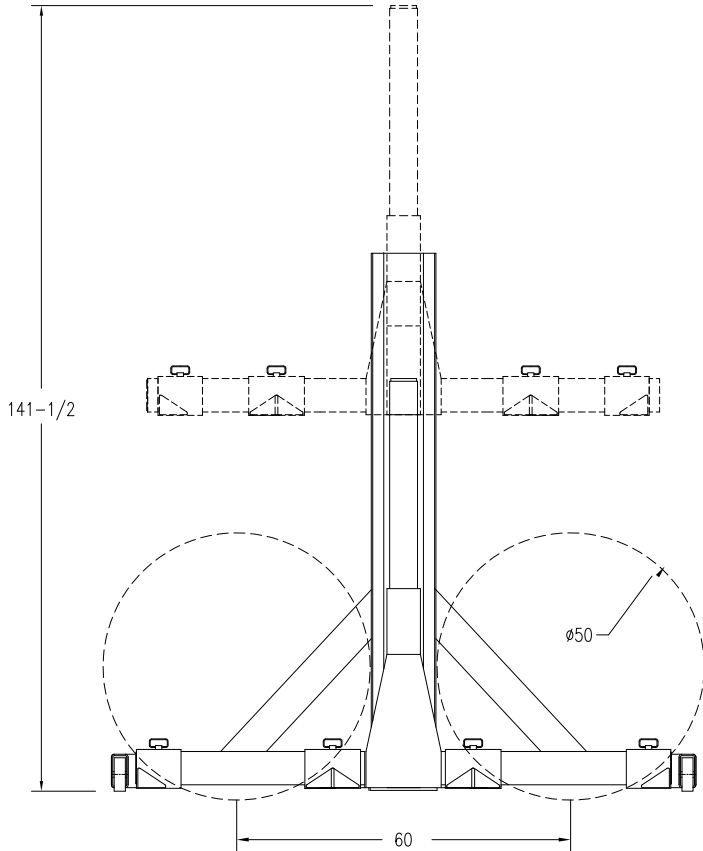


CAPACITY PER COLUMN - 18,000 lbs
 LIFTING HEIGHT UP TO 67"
 LIFTING SPEED - 66 seconds
 ELECTRIC/HYDRAULIC SYSTEM
 AUTOMATIC MULTI-POSITION MECHANICAL LOCK
 HYD. OPERATED THIRD WHEEL
 ADJUSTABLE FORKS



MOBILE LIFT COLUMN FOR TANDEM AXLE