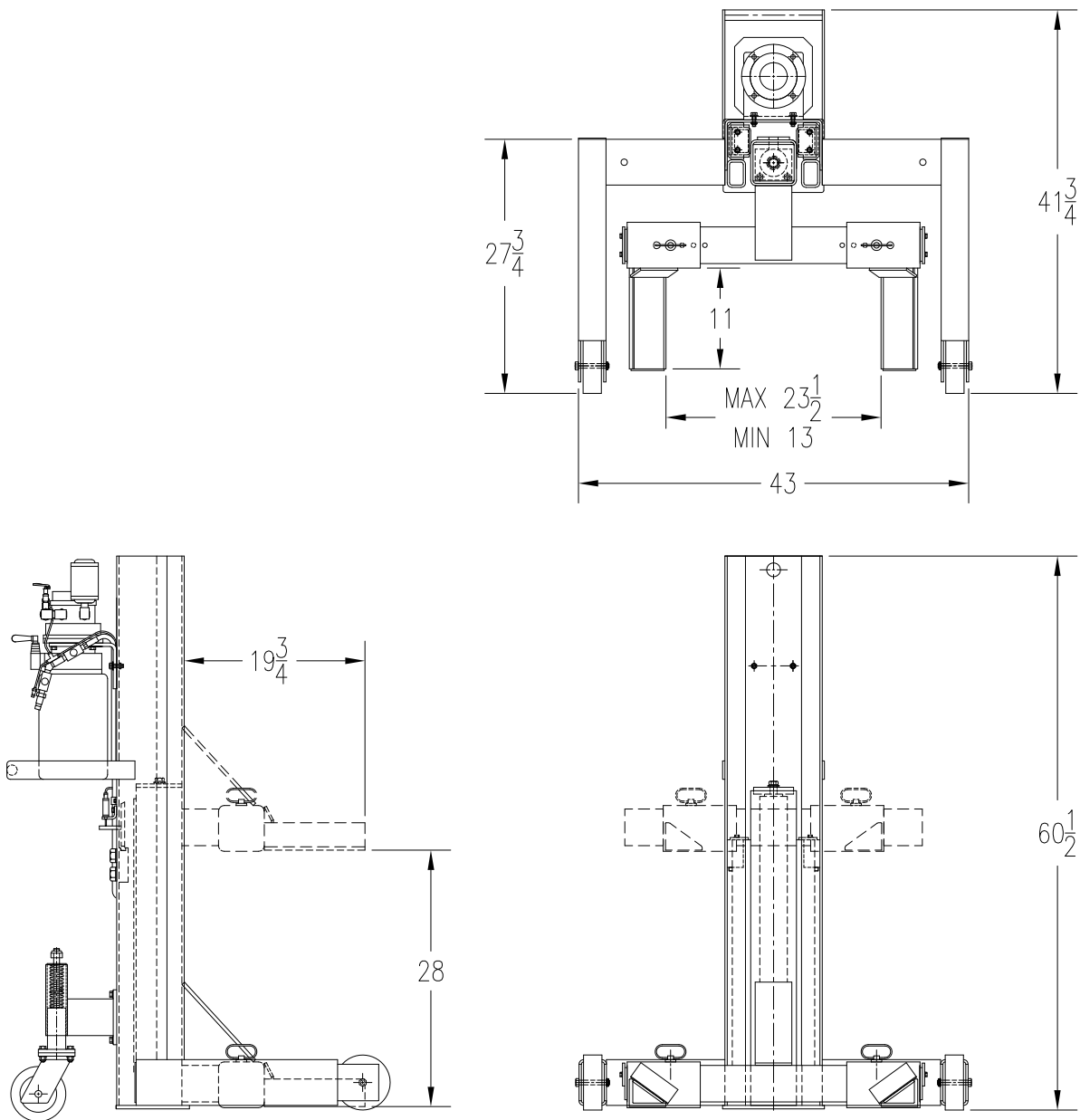


MOBILE TRUCK LIFT

MODEL: PKMR-24-AH



CAPACITY PER COLUMN - 12,000 lbs

LIFTING HEIGHT UP TO 28"

AIR/HYDRAULIC SYSTEM

AIR PRESSURE REQUIRED 90 PSI

AUTOMATIC MULTI-POSITION MECHANICAL LOCK

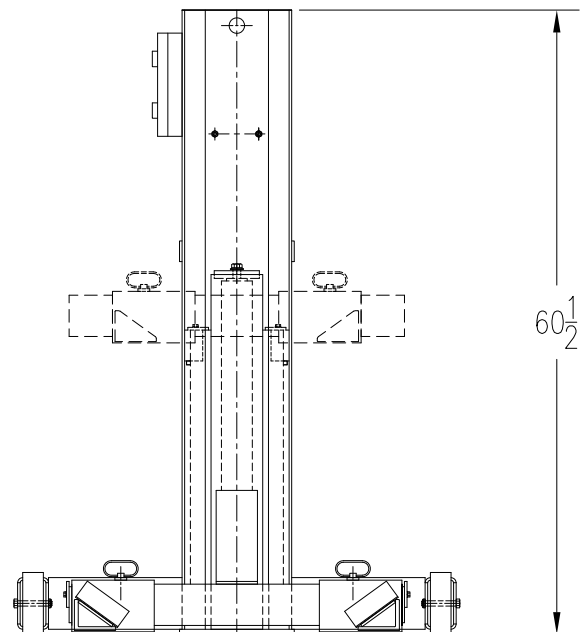
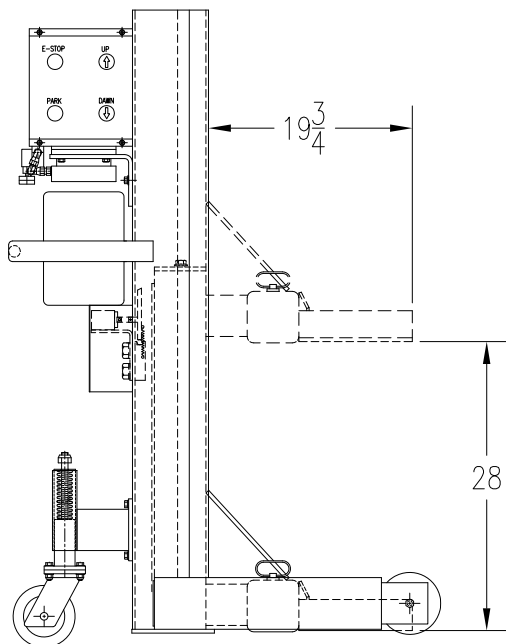
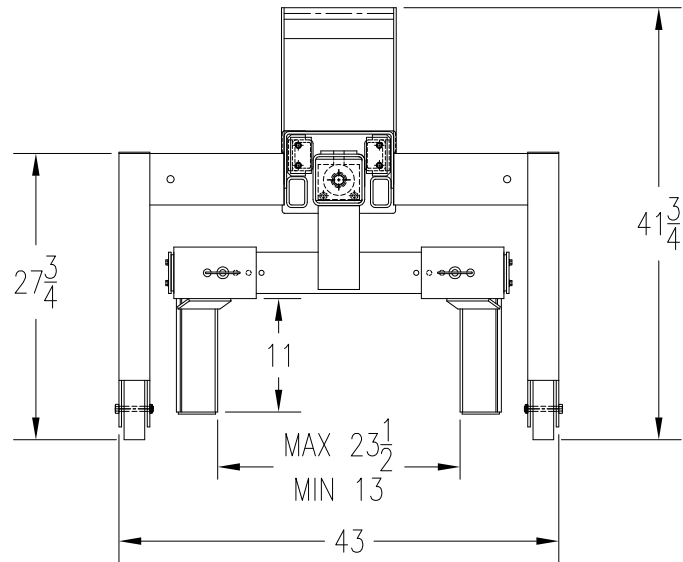
SPRING LOADED THIRD WHEEL

COLUMN WEIGHT 450 LBS

ADJUSTABLE FORKS, TIRES 20" TO 48" DIAMETER

MOBILE TRUCK LIFT

MODEL: PKMR-24-EH



CAPACITY PER COLUMN - 12,000 lbs
LIFTING HEIGHT UP TO 28"
ELECTRIC/HYDRAULIC SYSTEM
AUTOMATIC MULTI-POSITION MECHANICAL LOCK
SPRING LOADED THIRD WHEEL
COLUMN WEIGHT 450 LBS
ADJUSTABLE FORKS, TIRES 20" TO 48" DIAMETER