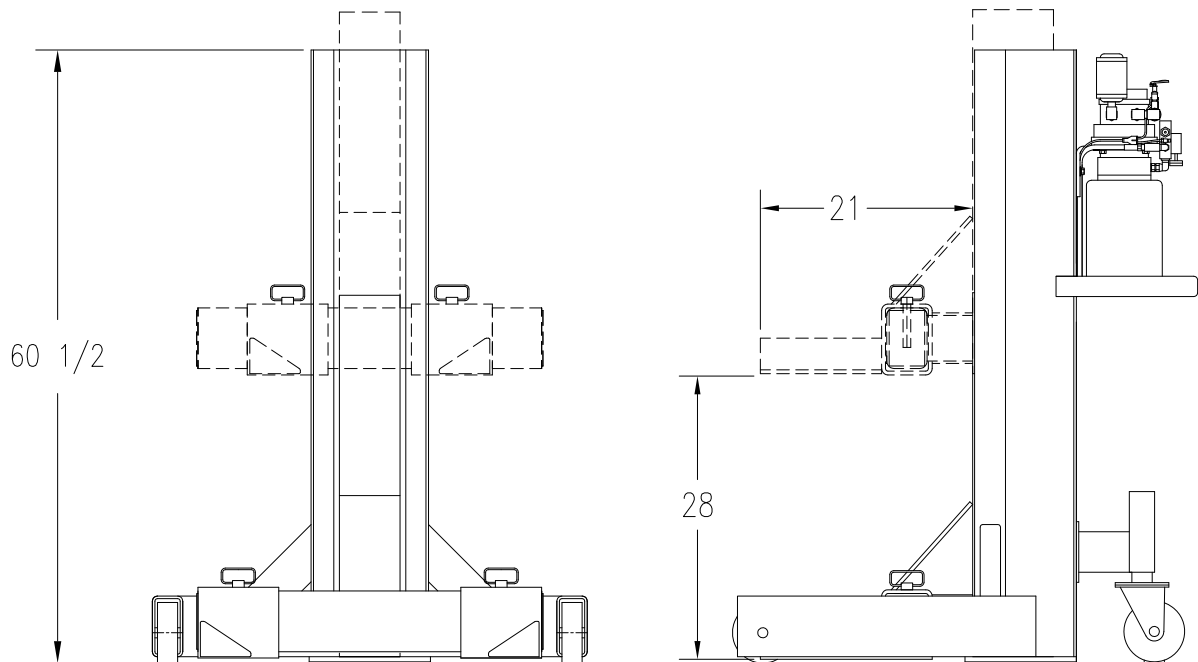
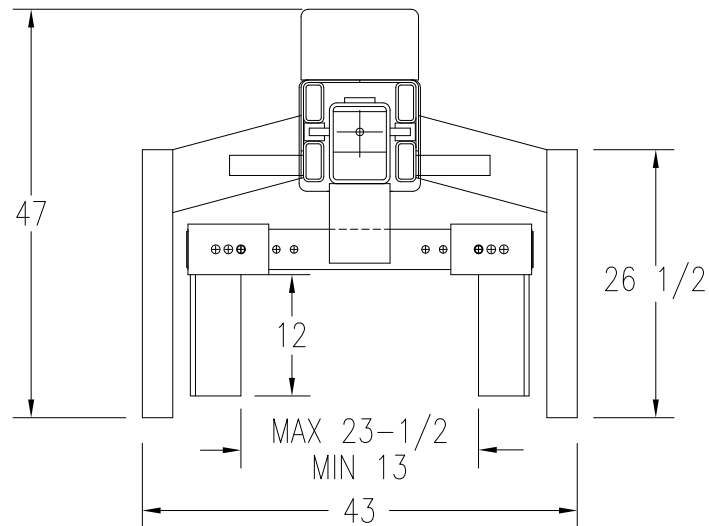


# MOBILE TRUCK LIFT

## MODEL: PKMR-36-AH



CAPACITY PER COLUMN - 18,000 lbs

LIFTING HEIGHT UP TO 28"

AIR/HYDRAULIC SYSTEM

AIR PRESSURE REQUIRED 90 PSI

AUTOMATIC MULTI-POSITION MECHANICAL LOCK

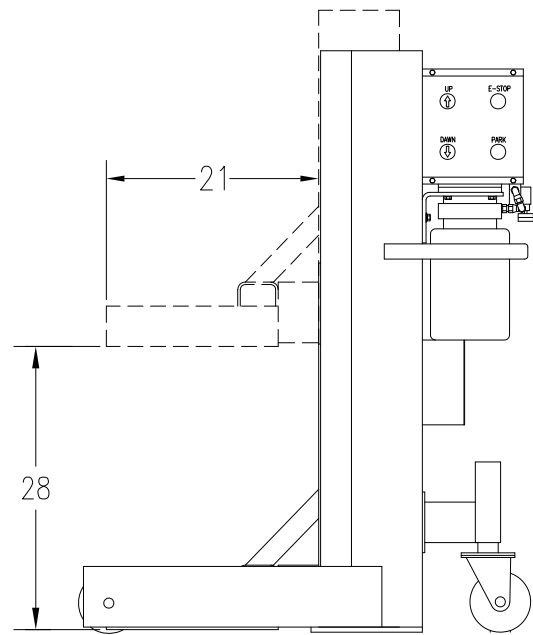
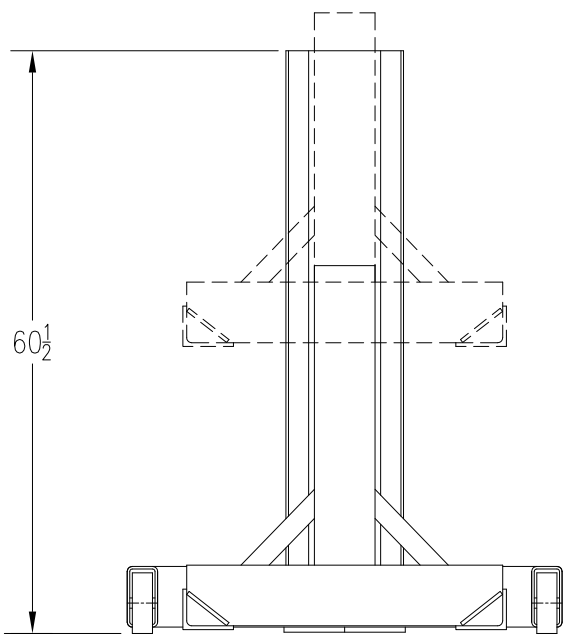
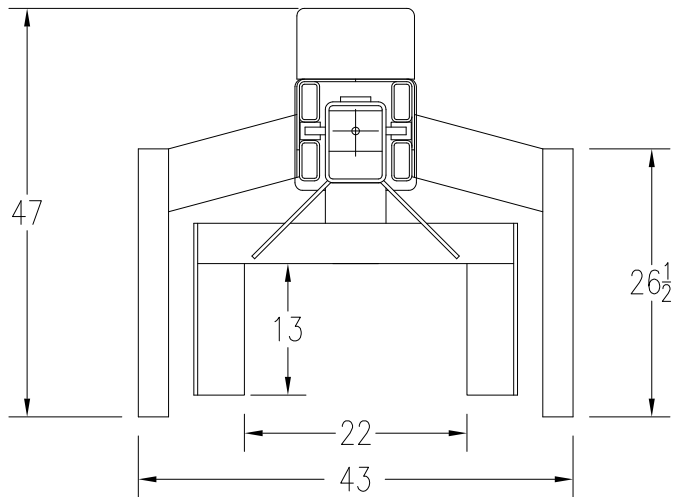
SPRING LOADED THIRD WHEEL

COLUMN WEIGHT 580 LBS

ADJUSTABLE FORKS ( 13" TO 23-1/2" INSIDE)

# MOBILE TRUCK LIFT

## MODEL: PKMR-36-EH



CAPACITY PER COLUMN - 18,000 lbs

LIFTING HEIGHT UP TO 28"

EL./HYDRAULIC SYSTEM

AUTOMATIC MULTI-POSITION

SPRING LOADED THIRD WHEEL MECHANICAL LOCK

COLUMN WEIGHT 580 LBS

ADJUSTABLE FORKS ( 13" TO 23-1/2" INSIDE)