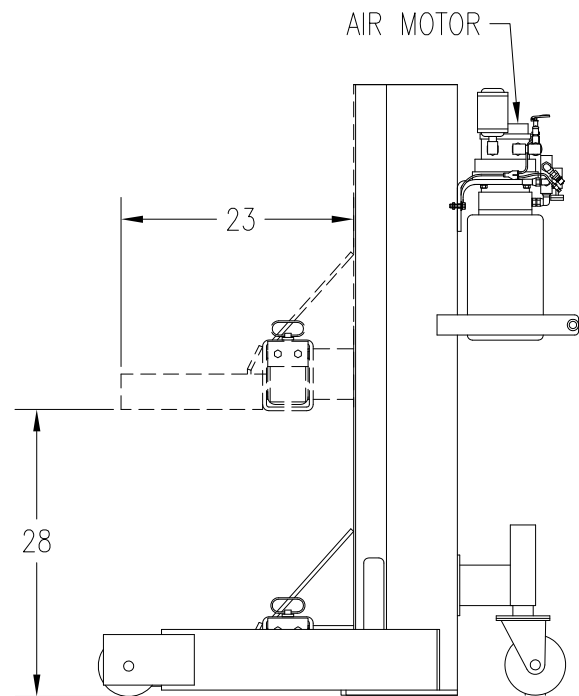
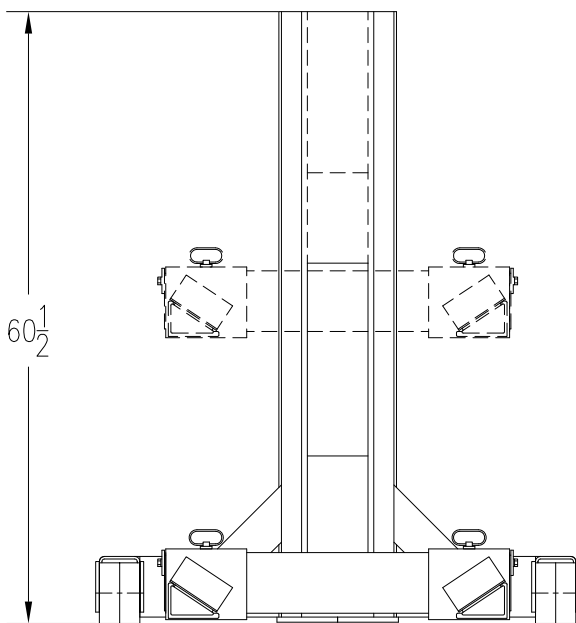
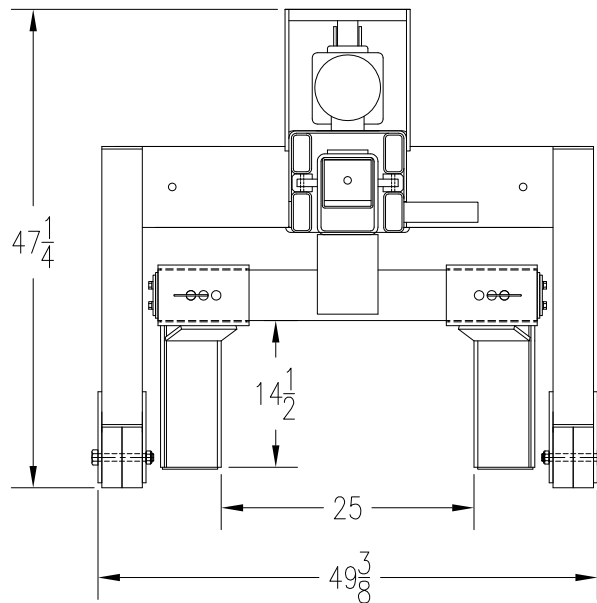


MOBILE TRUCK LIFT MODEL: PKMR-48-AH



CAPACITY PER COLUMN - 24,000 lbs

LIFTING HEIGHT UP TO 28"

AIR/HYDRAULIC SYSTEM

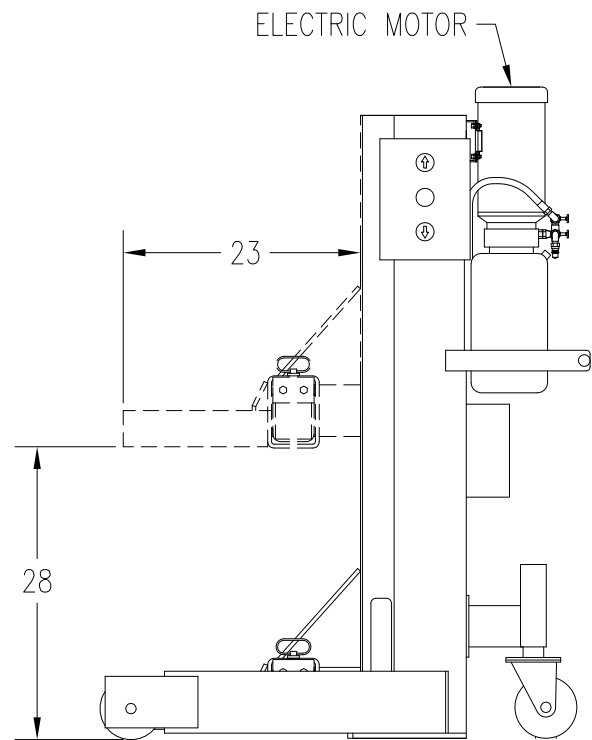
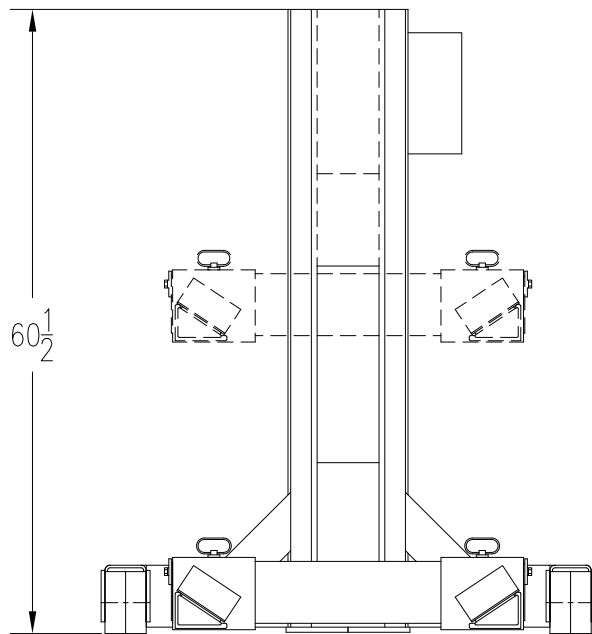
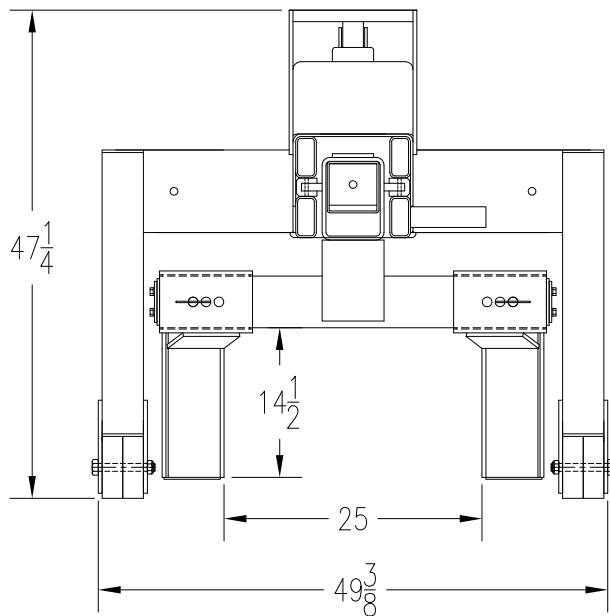
AIR PRESSURE REQUIRED 90 PSI

AUTOMATIC MULTI-POSITION MECHANICAL LOCK

SPRING LOADED THIRD WHEEL

COLUMN WEIGHT 650 LBS

MOBILE TRUCK LIFT MODEL: PKMR-48-EH



CAPACITY PER COLUMN - 24,000 lbs

LIFTING HEIGHT UP TO 28"

ELECTRI/HYDRAULIC SYSTEM

AUTOMATIC MULTI-POSITION MECHANICAL LOCK

SPRING LOADED THIRD WHEEL

COLUMN WEIGHT 650 LBS