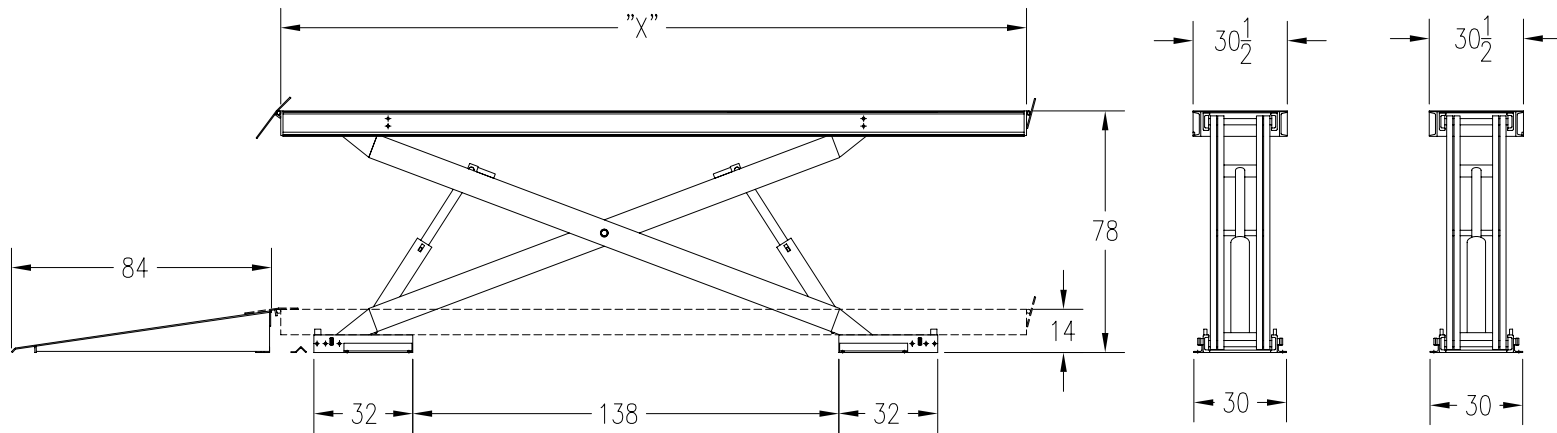
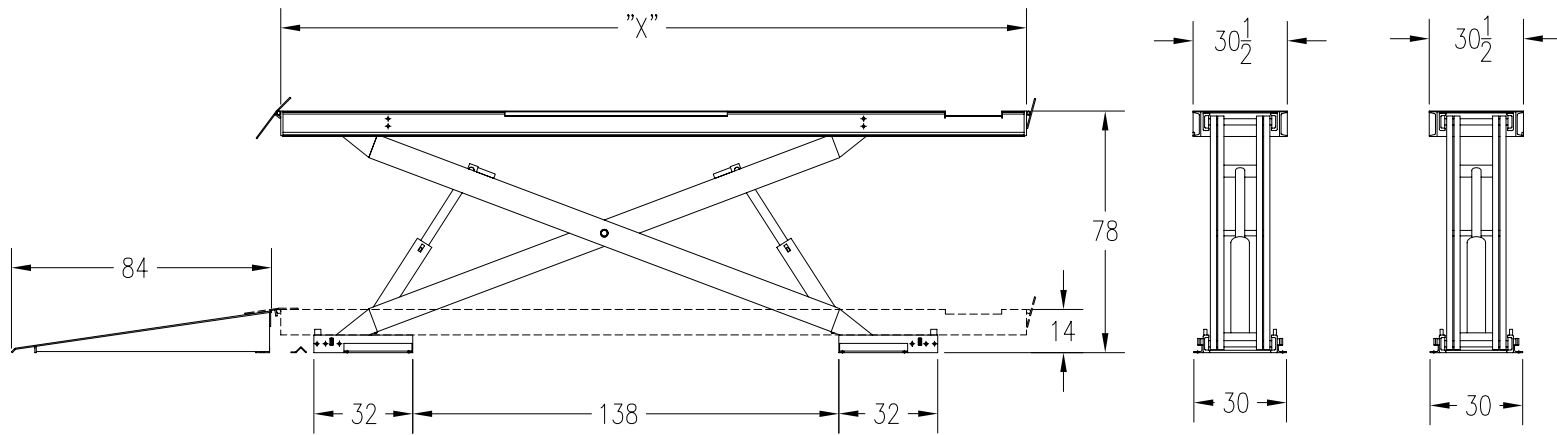
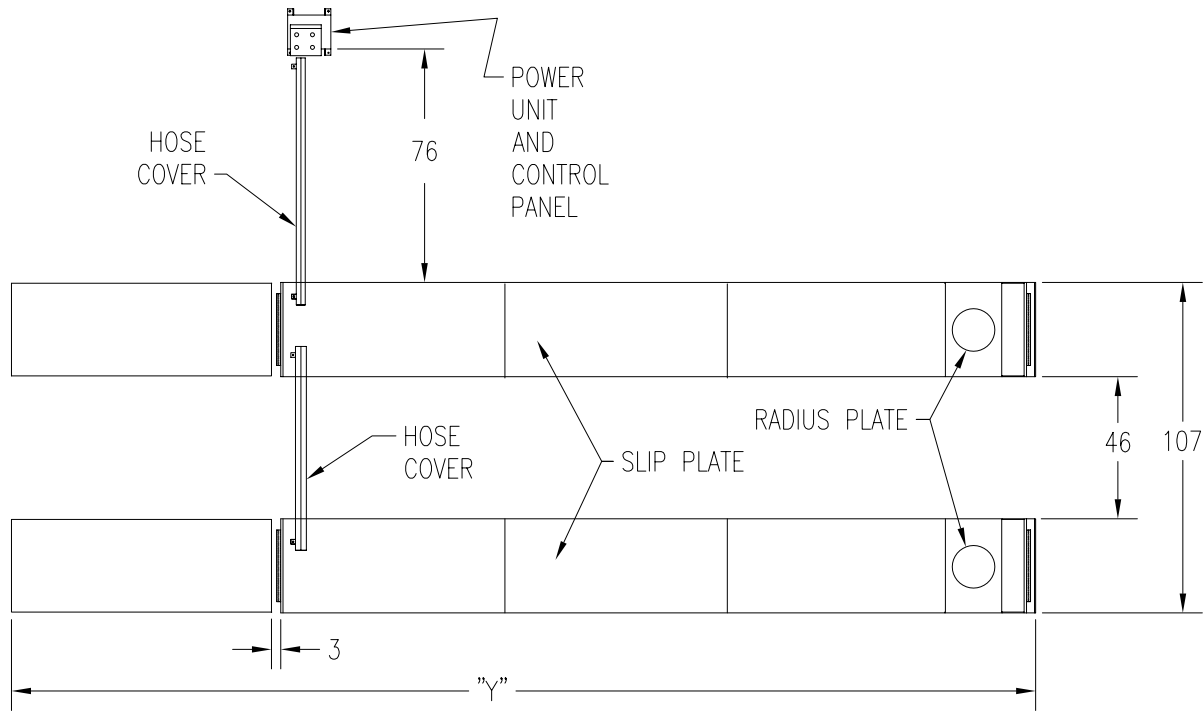


MODEL	"X" RUNWAY	"Y" O/L
PKSC25A-19	229-1/2"	319-5/8"
PKSC25A-21	253-1/2"	343-5/8"
PKSC25A-25	301-1/2"	391-5/8"



PKS SCISSOR LIFT PKSC25
CAPACITY: 25,000 LB

MODEL	"X" RUNWAY	"Y" O/L
PKSC25A-19	229-1/2"	319-5/8"
PKSC25A-21	253-1/2"	343-5/8"
PKSC25A-25	301-1/2"	391-5/8"



PKS SCISSOR LIFT PKSC25A
CAPACITY: 25,000 LB