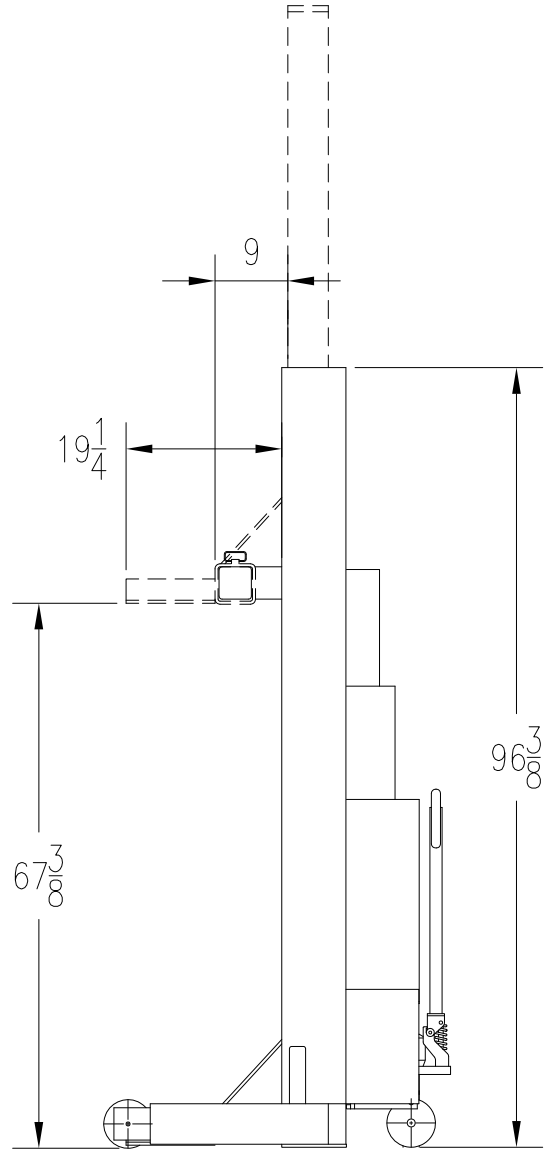
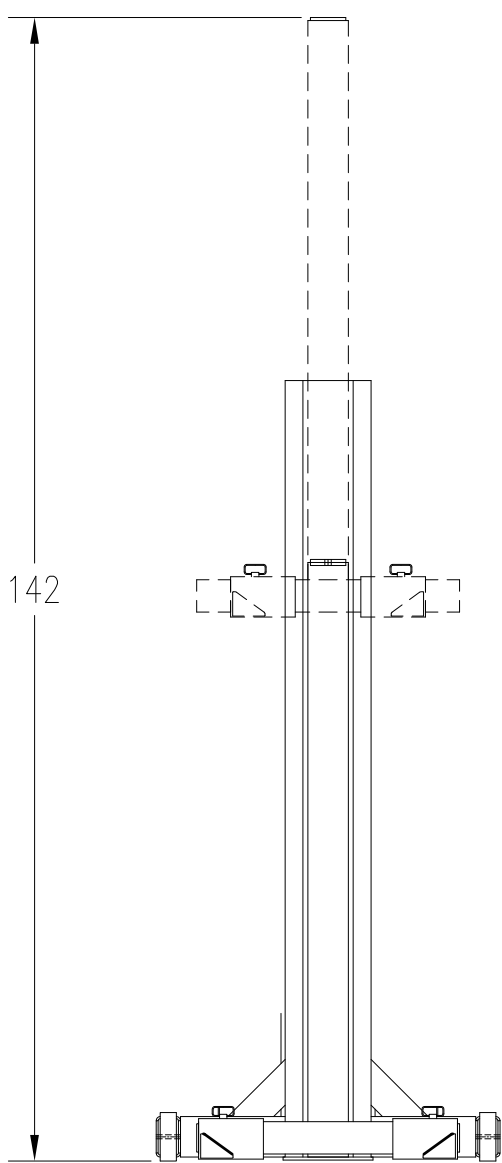
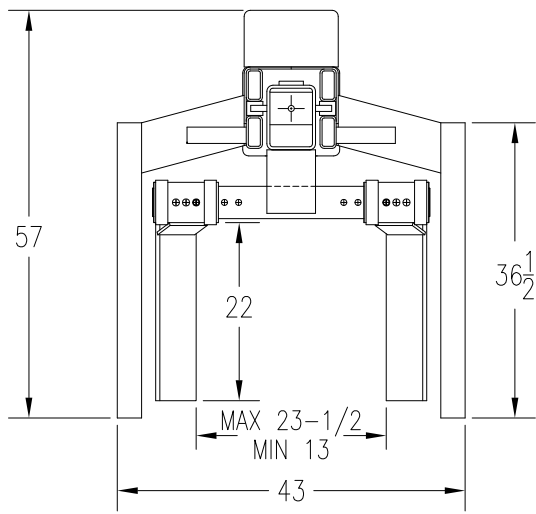


CAPACITY PER COLUMN – 12,000 lbs
 LIFTING HEIGHT UP TO 67”
 LIFTING SPEED – 46 seconds
 ELECTRIC/HYDRAULIC SYSTEM
 AUTOMATIC MULTI-POSITION MECHANICAL LOCK
 HYD. OPERATED THIRD WHEEL
 ADJUSTABLE FORKS (13” TO 23-1/2” INSIDE)

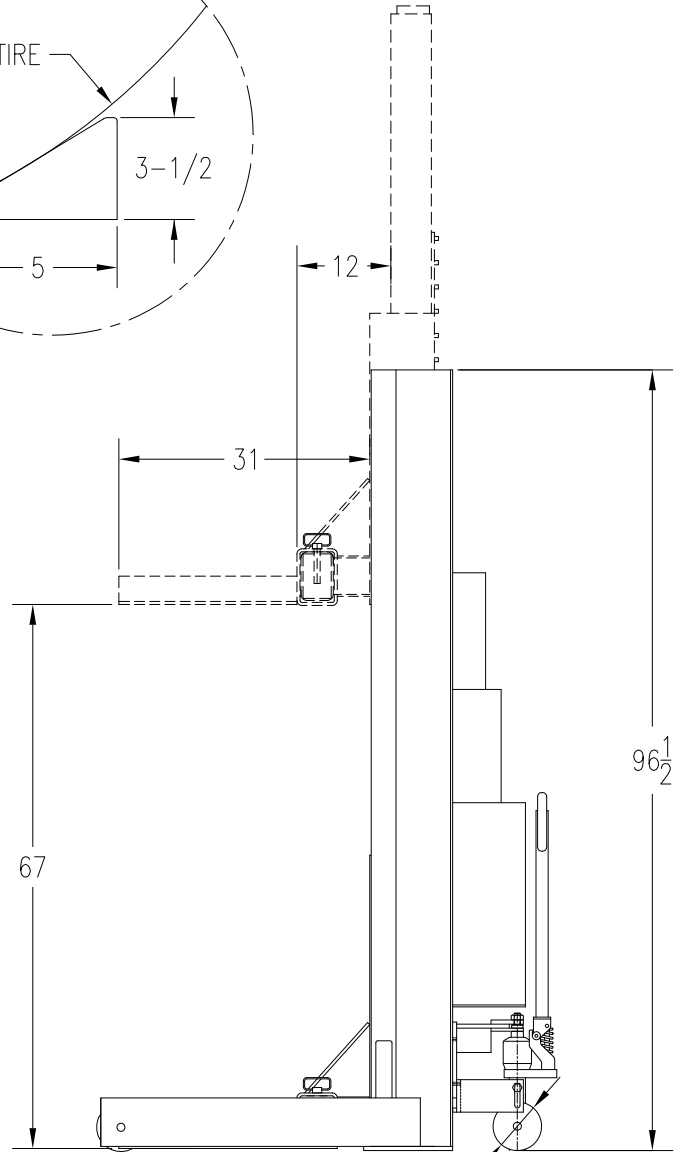
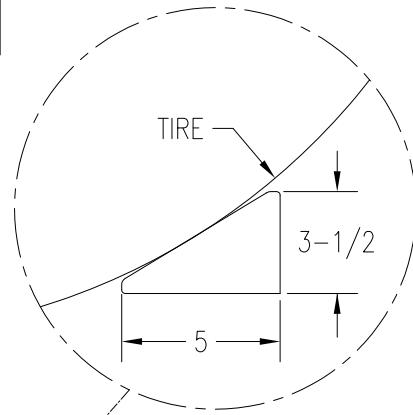
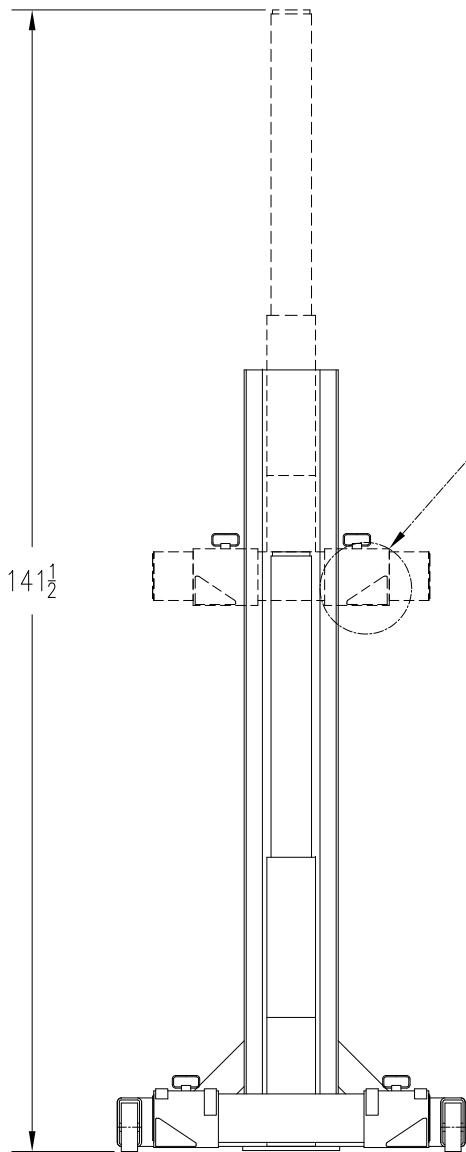


MOBILE LIFT COLUMN
 MODEL: PKMC12-PLC

| | | | | | |
|---|---|---|--------------|------------|---|
| P | K | S | JULY 14/2008 | PKMC12-PLC | A |
|---|---|---|--------------|------------|---|



CAPACITY PER COLUMN – 16,000 lbs
 LIFTING HEIGHT UP TO 67”
 LIFTING SPEED – 66 seconds
 ELECTRIC/HYDRAULIC SYSTEM
 AUTOMATIC MULTI-POSITION MECHANICAL LOCK
 HYD. OPERATED THIRD WHEEL
 ADJUSTABLE FORKS (13” TO 23-1/2” INSIDE)



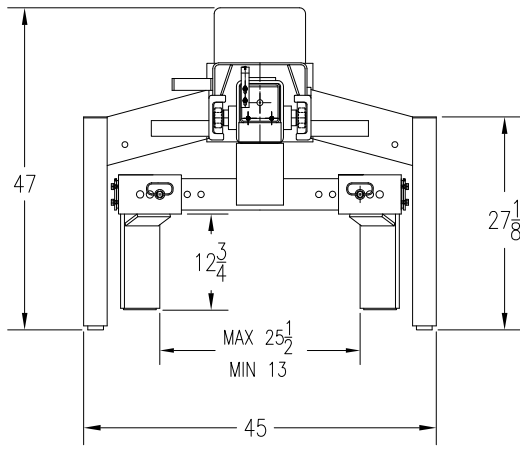
MOBILE LIFT COLUMN
 MODEL: PKMC16

P K S

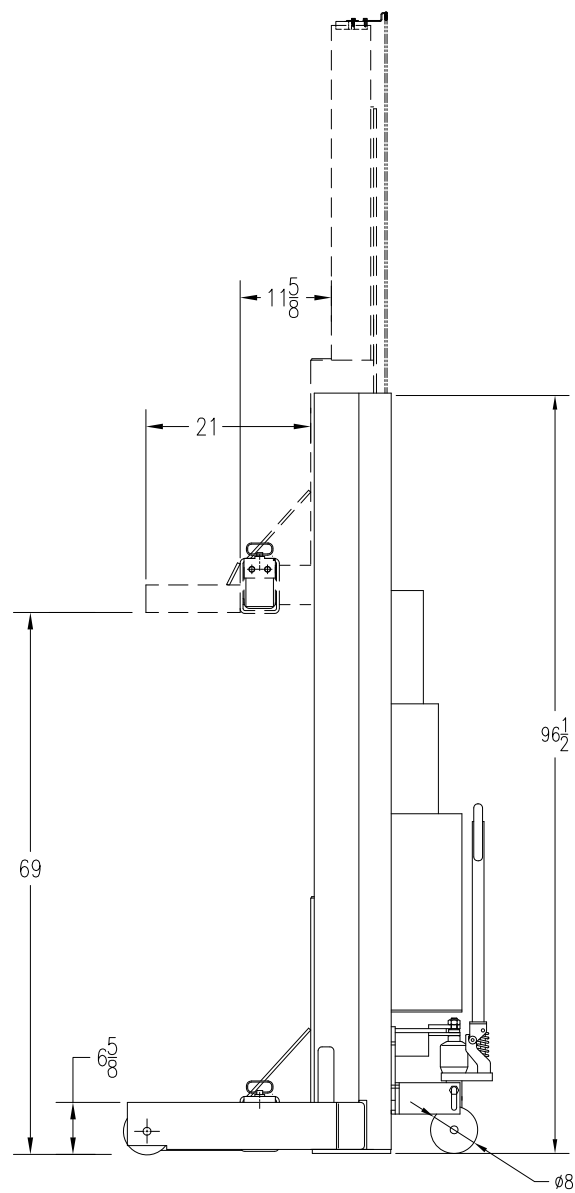
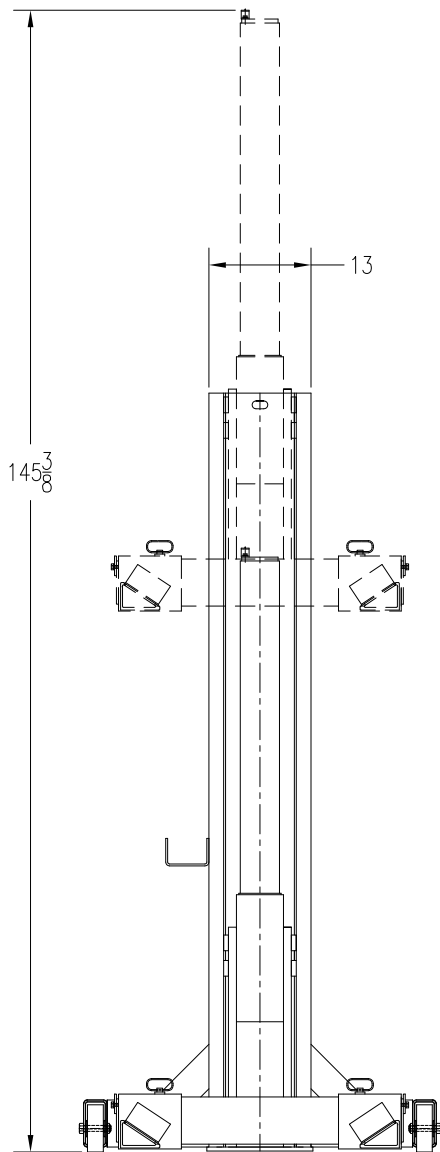
JAN.23/2003

PKMC16

A

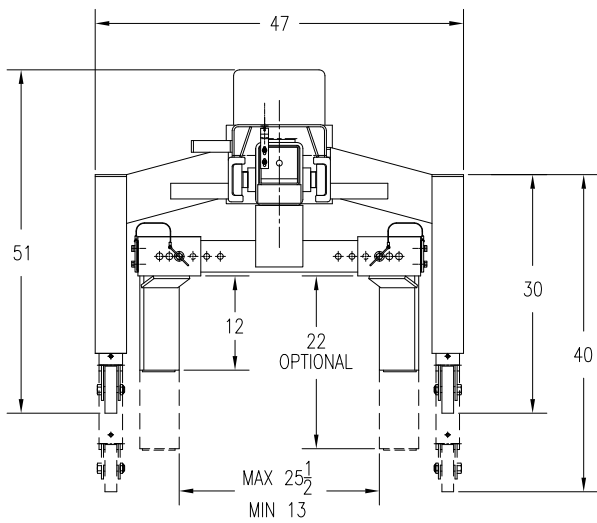


CAPACITY PER COLUMN - 18,000 lbs
 LIFTING HEIGHT UP TO 69"
 LIFTING SPEED - 69 seconds
 ELECTRIC/HYDRAULIC SYSTEM
 AUTOMATIC MULTI-POSITION MECHANICAL LOCK
 HYD. OPERATED THIRD WHEEL
 ADJUSTABLE FORKS (13" TO 25-1/2" INSIDE)
 STEEL ROLLERS, 7/8" THICK CHANNEL

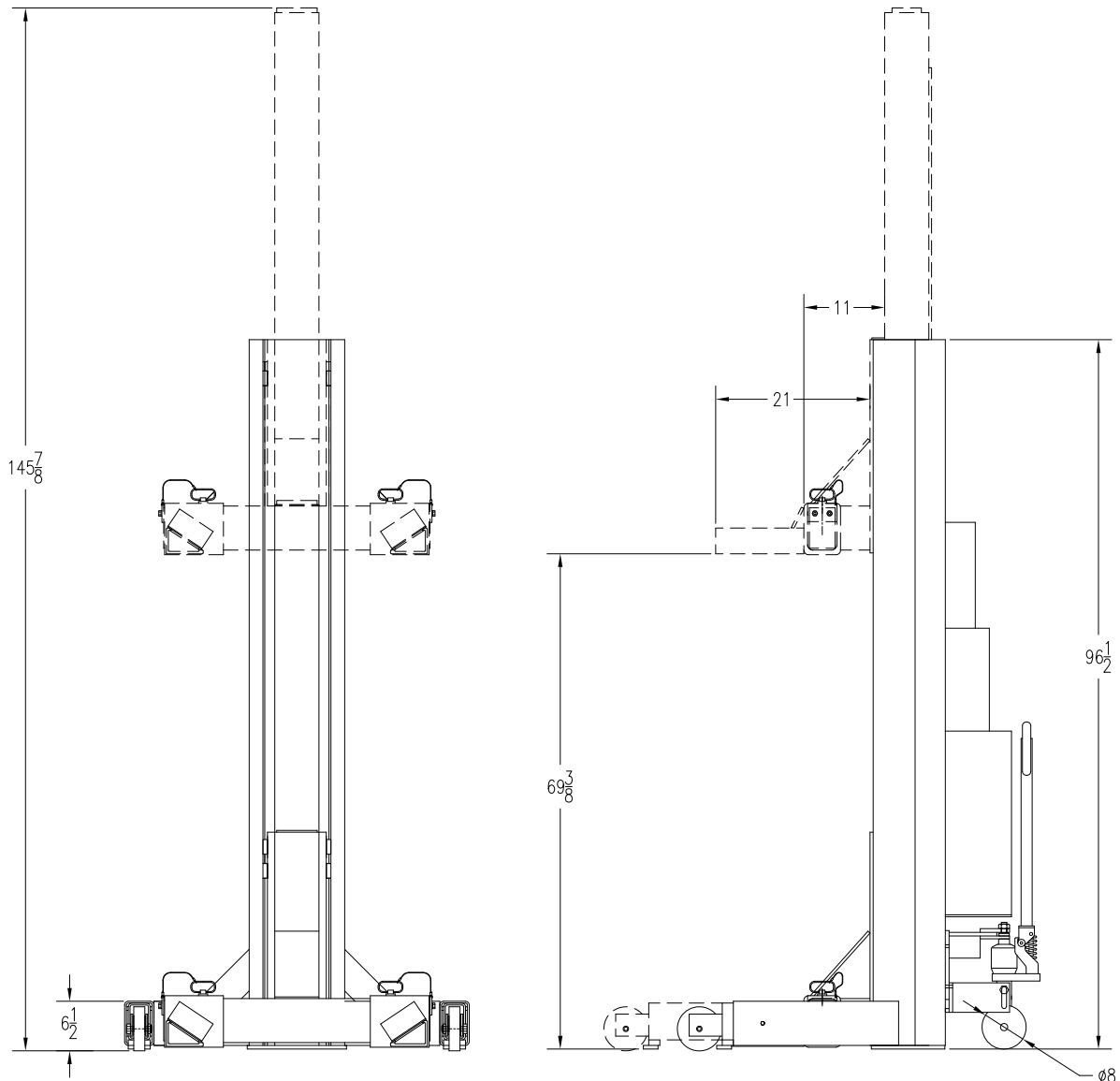


MOBILE LIFT COLUMN
 MODEL: PKMC18-PLC

| | | | | | | |
|-------------|---|---|---|-------------|---------|---|
| DWN. KK | P | K | S | FEB.24/2005 | M-18-69 | A |
| APPR. KK | | | | | | |
| KK | | | | | | |

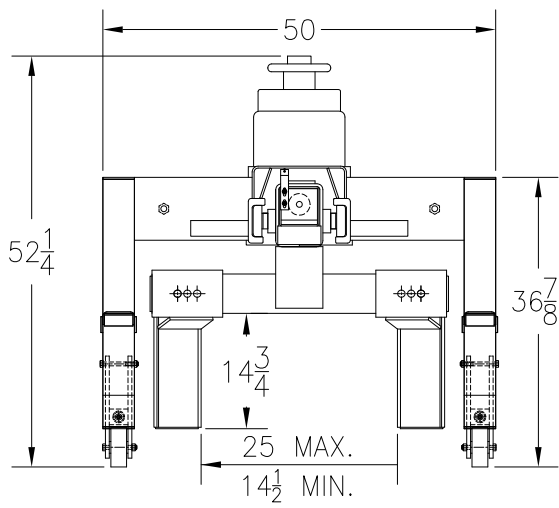


CAPACITY PER COLUMN - 20,000 lbs
 LIFTING HEIGHT UP TO 69"
 LIFTING SPEED - 68 seconds
 ELECTRIC/HYDRAULIC SYSTEM
 AUTOMATIC MULTI-POSITION MECHANICAL LOCK
 HYD. OPERATED THIRD WHEEL
 ADJUSTABLE FORKS (13" TO 25-1/2" INSIDE)
 SPRING LOADED FRONT WHEELS

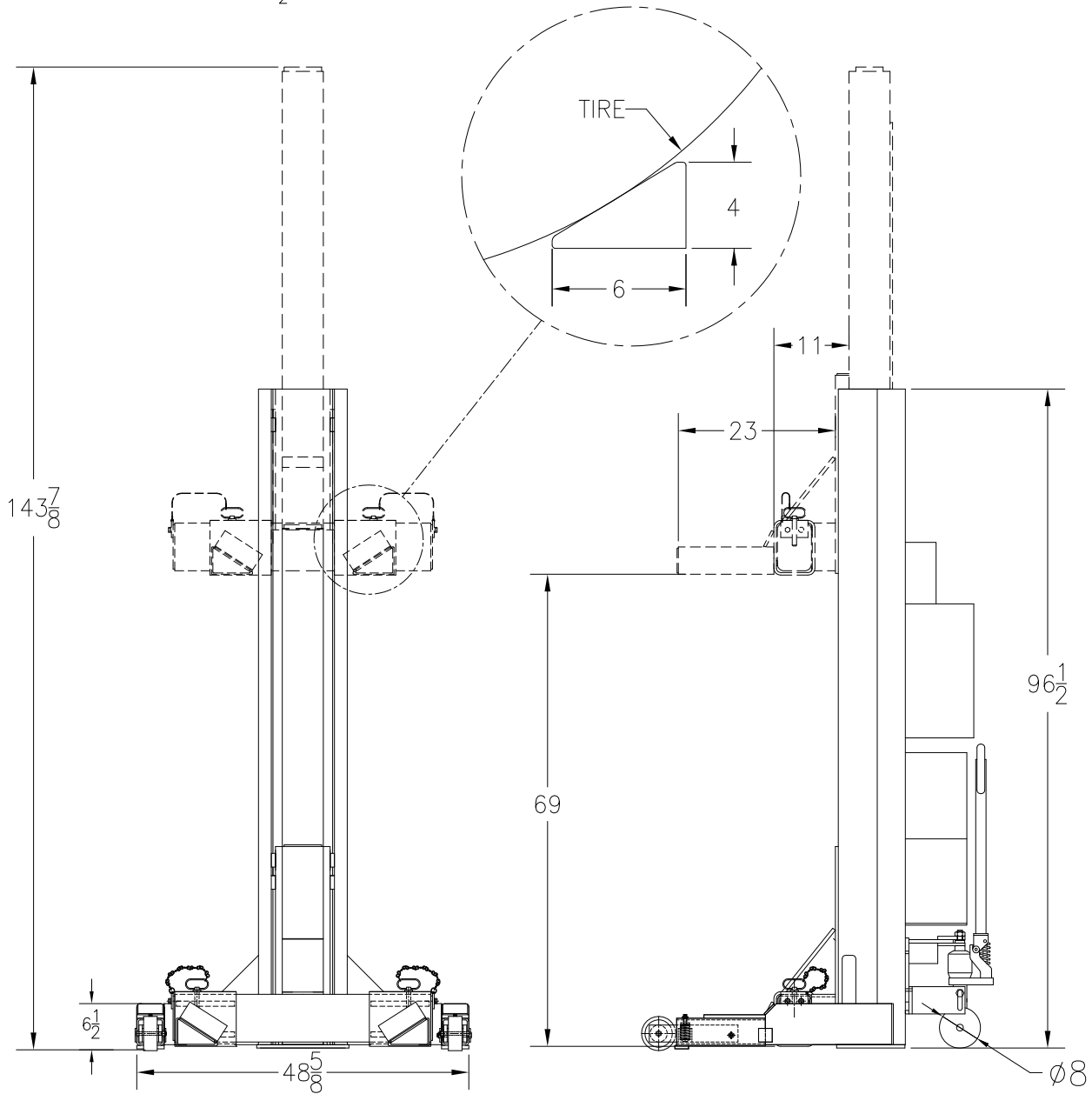


MOBILE LIFT COLUMN
 MODEL: PKMC-20-PLC

| | | | | | | |
|-------------|---|---|---|-------------|---------|---|
| DWN. KK | P | K | S | JAN.24/2005 | M-20-69 | A |
| APPR. KK | | | | | | |
| KK | | | | | | |

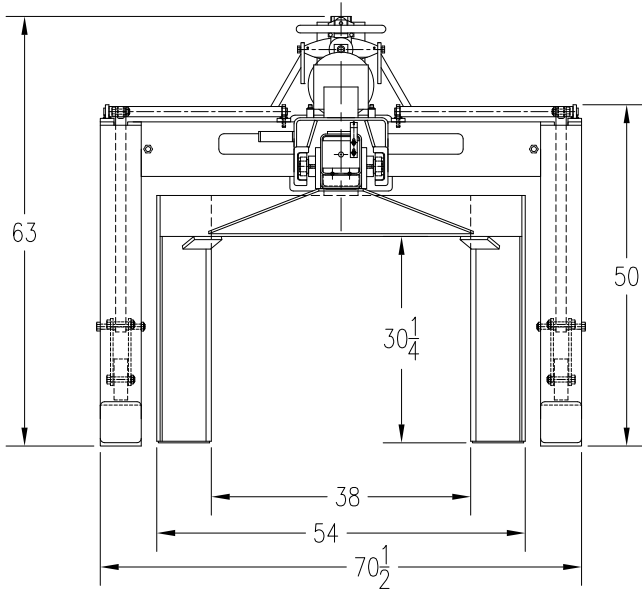


CAPACITY PER COLUMN - 24,000 lbs
 LIFTING HEIGHT UP TO 69"
 LIFTING SPEED - 90 seconds
 ELECTRIC/HYDRAULIC SYSTEM
 AUTOMATIC MULTI-POSITION MECHANICAL LOCK
 HYD. OPERATED THIRD WHEEL
 ADJUSTABLE FORKS (14-1/2" TO 25" INSIDE)

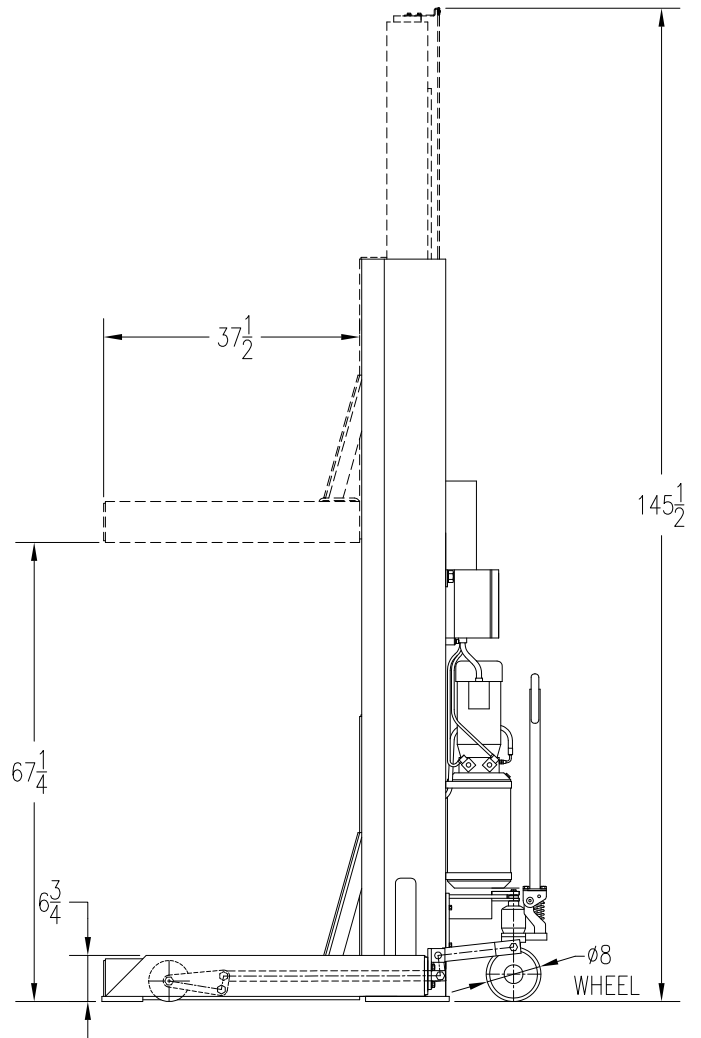
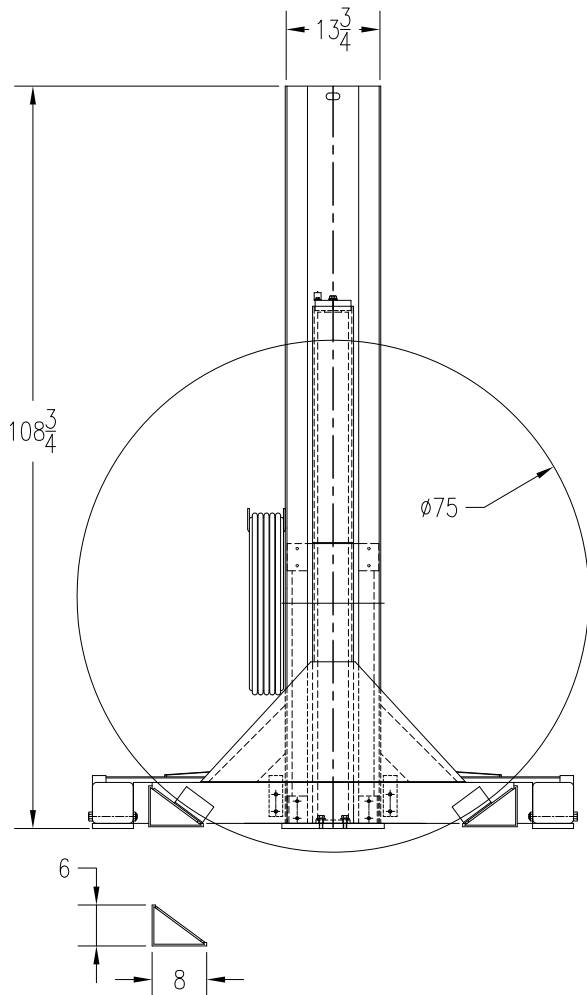


MOBILE LIFT COLUMN
 MODEL: PKMC24-PLC

| | | | | | | |
|-------------|---|---|---|--------------|---------|---|
| DWN. JK | P | K | S | JULY 13/2011 | PKMC24B | A |
| APPR. KK | | | | | | |
| | | | | | | |



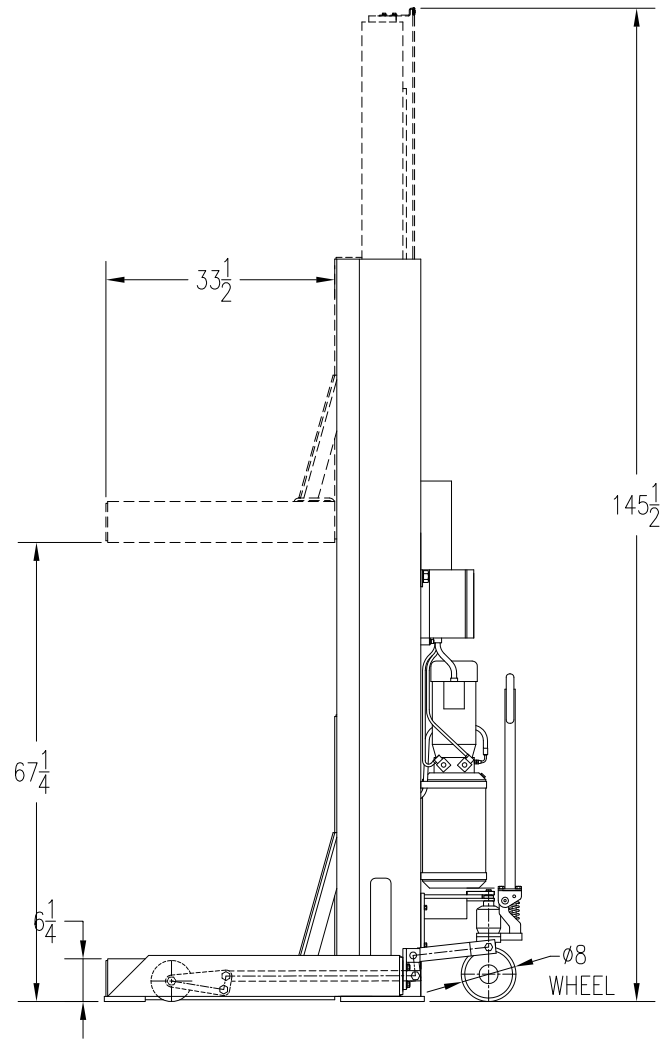
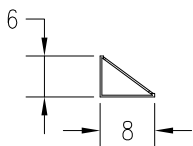
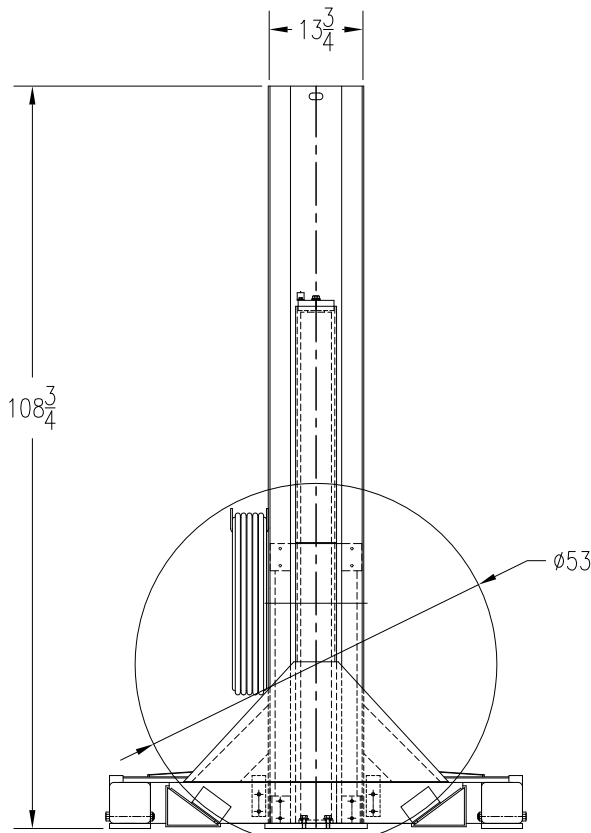
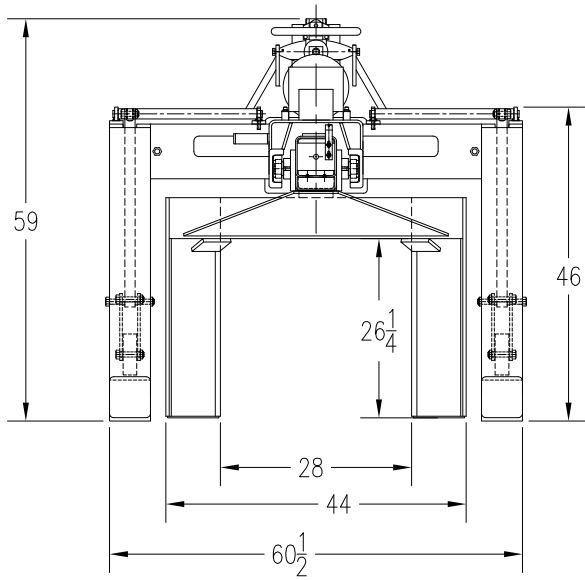
CAPACITY PER COLUMN – 26,000 LBS
 LIFTING HEIGHT UP TO 67”
 LIFTING SPEED – 120 seconds
 ELECTRIC/HYDRAULIC SYSTEM
 AUTOMATIC MULTI-POSITION MECHANICAL LOCK
 HYDRAULICALLY OPERATED WHEELS
 FORK LIFT MAST CHANNELS & ROLLERS



MOBILE LIFT COLUMN
 MODEL: PKMC26.75

| | | | | | |
|---|---|---|-------------|------------|---|
| P | K | S | FEB.28/2011 | PKMC-26.75 | A |
|---|---|---|-------------|------------|---|

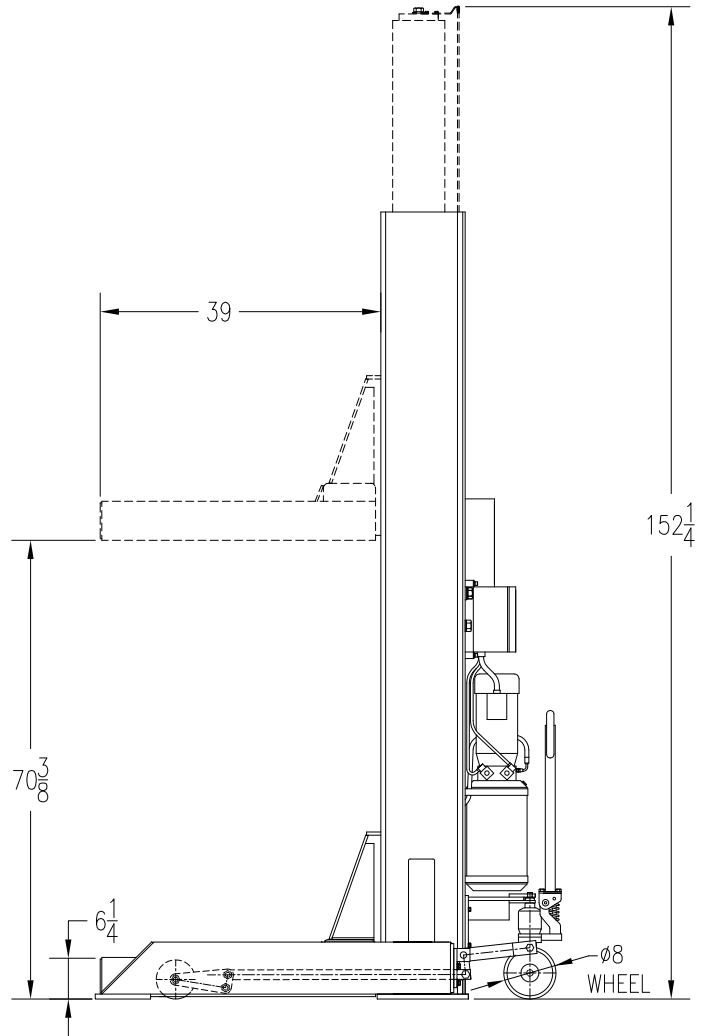
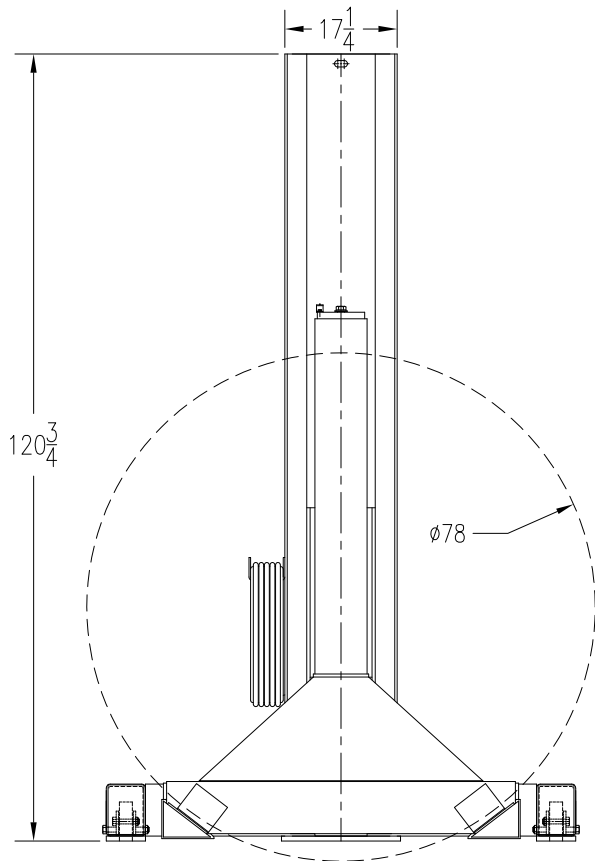
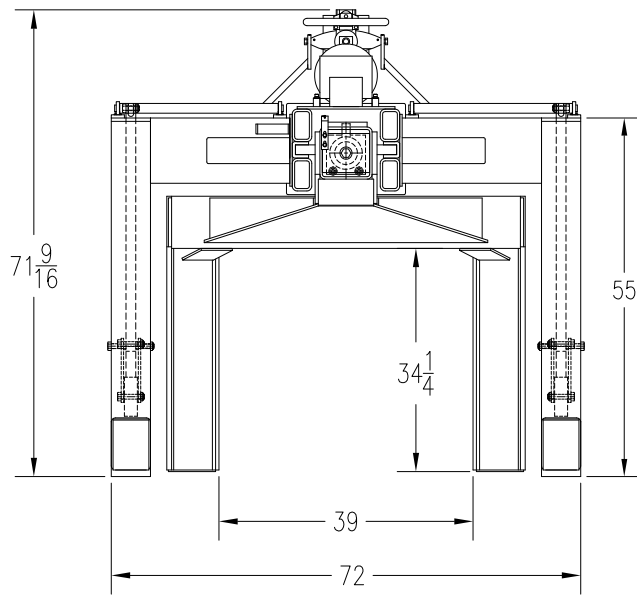
CAPACITY PER COLUMN – 30,000 LBS
 LIFTING HEIGHT UP TO 67”
 LIFTING SPEED – 120 seconds
 ELECTRIC/HYDRAULIC SYSTEM
 AUTOMATIC MULTI-POSITION MECHANICAL LOCK
 HYDRAULICALLY OPERATED WHEELS
 FORK LIFT MAST CHANNELS & ROLLERS



MOBILE LIFT COLUMN
 MODEL: PKMC-30.53

| | | | | | | |
|---|---|---|--|-------------|------------|---|
| P | K | S | | OCT.05/2010 | PKMC-30.53 | A |
|---|---|---|--|-------------|------------|---|

CAPACITY PER COLUMN – 40,000 lbs
 LIFTING HEIGHT UP TO 70”
 LIFTING SPEED – 120 seconds
 ELECTRIC/HYDRAULIC SYSTEM
 AUTOMATIC MULTI-POSITION MECHANICAL LOCK
 HYD. OPERATED THIRD WHEEL
 MAX. WHEEL DIA. – 78”



MOBILE LIFT COLUMN
 MODEL: PKMC40.78.34