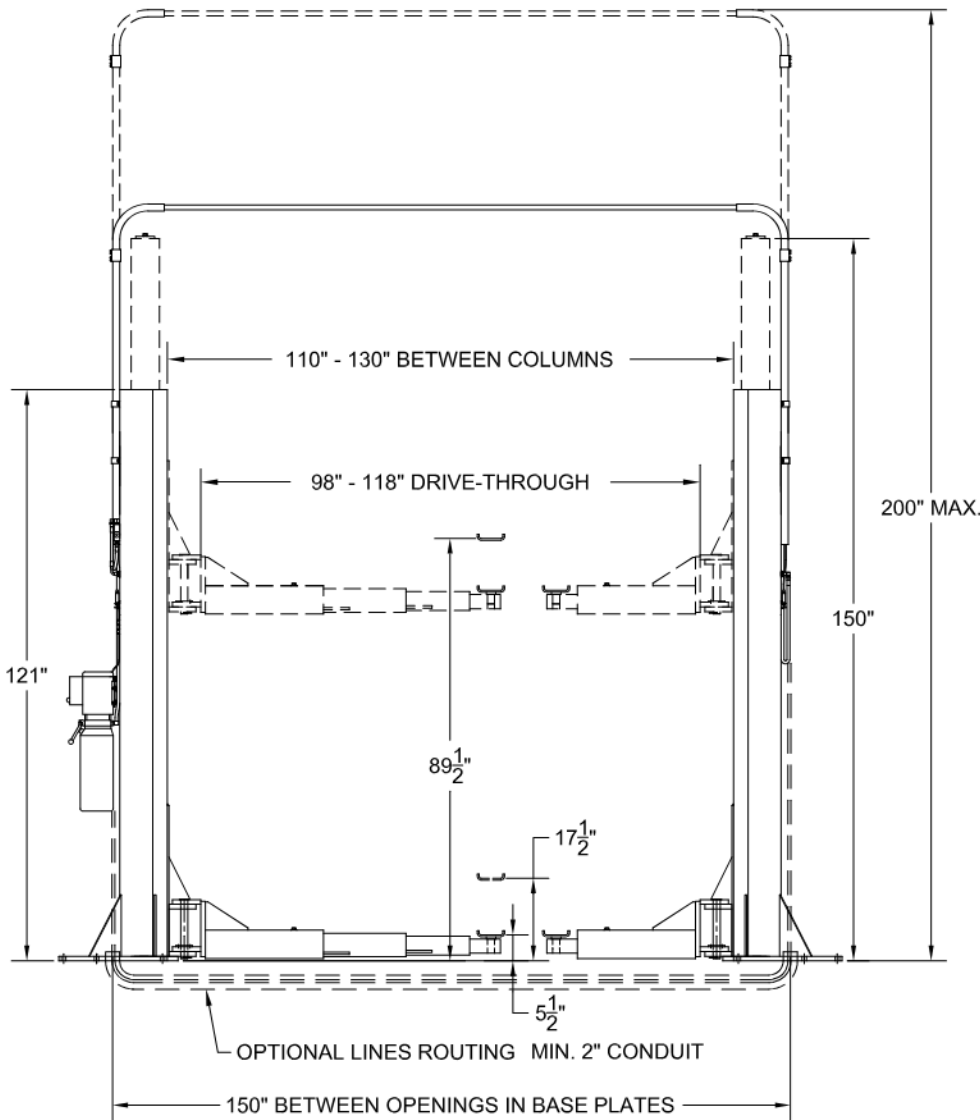


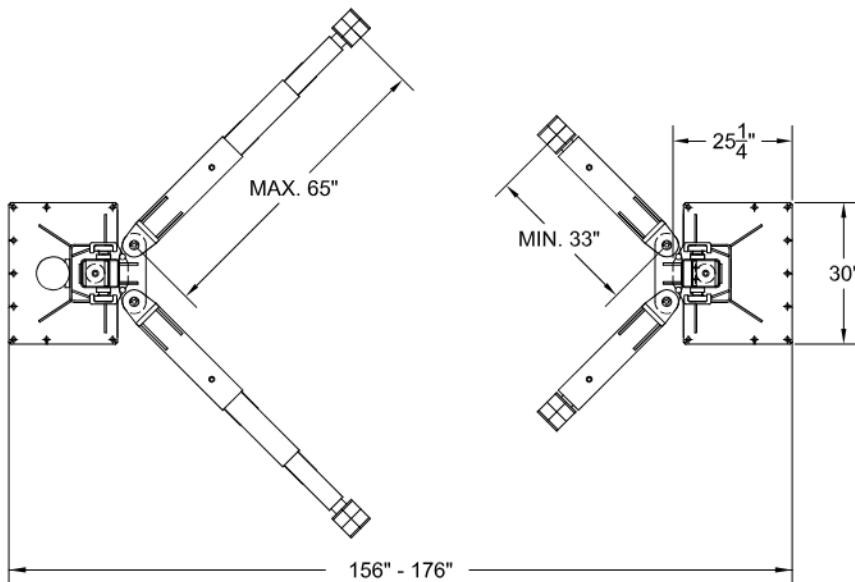
# TWO-POST LIFT MODEL: PK16



CAPACITY:.....16,000 LBS  
 RISE:.....89 -1/2"  
 MINIMUM CEILING HEIGHT REQ'D:....160"  
 MOTOR:.....3 HP  
 VOLTAGE OPTION 1:..... 208-230V/1PH  
 VOLTAGE OPTION 2:..... 230-460V/3PH  
 VOLTAGE OPTION 3:..... 575V/3PH

## FEATURES:

1. AIR/HYDRAULIC CONTROL
2. CLEAR FLOOR
3. NO OVERHEAD BEAM
4. NO EQUALIZING CABLES
5. LOW PROFILE ARMS
6. GEARED ARM RESTRAIN WITH SINGLE POINT LOCK AND RELEASE.
7. COMES WITH A SET OF HEIGHT ADAPTERS (3", 6" AND 9")



DWN  
JK  
APPR.  
KK

**PKS**

DATE

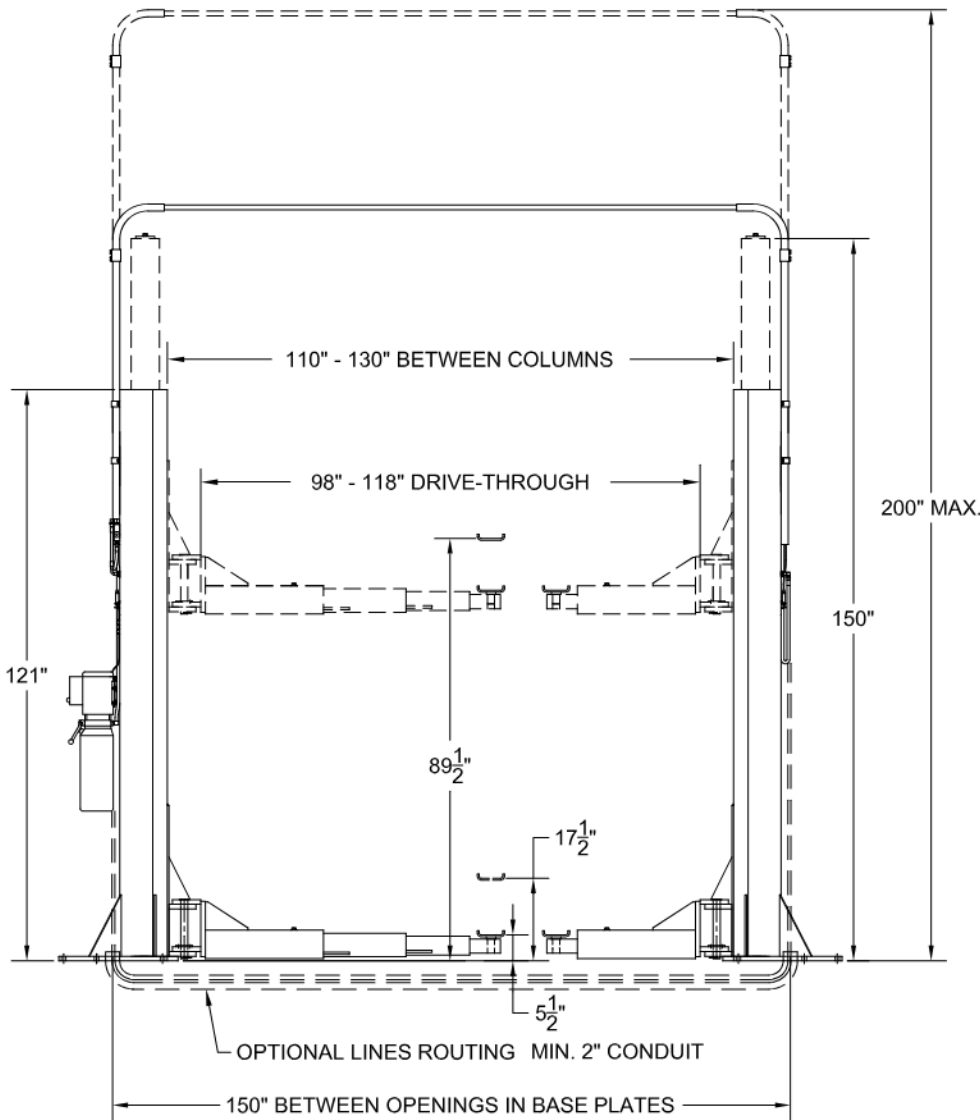
MAY 01/2017

DWG

PK16-SPEC-1

A

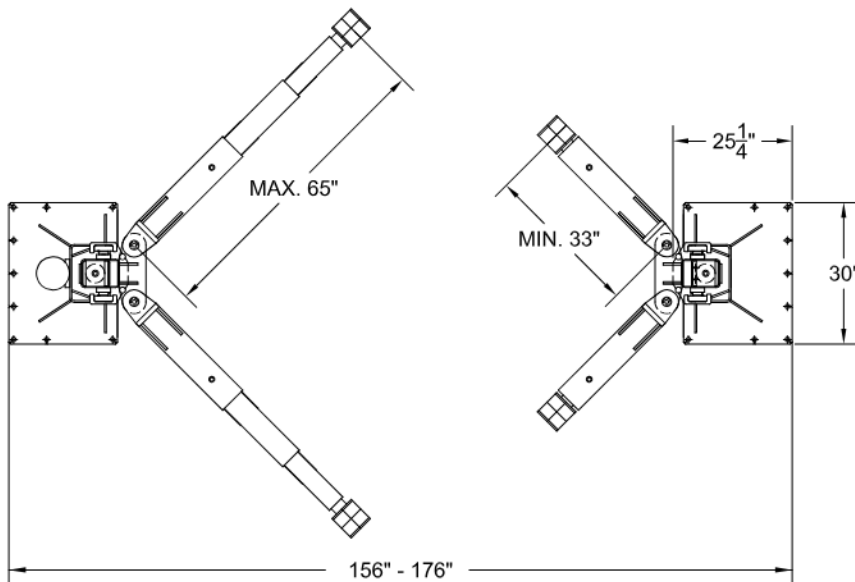
# TWO-POST LIFT MODEL: PK18



CAPACITY:.....18,000 LBS  
 RISE:.....89 -1/2"  
 MINIMUM CEILING HEIGHT REQ'D:....160"  
 MOTOR:.....3 HP  
 VOLTAGE OPTION 1:.....208-230V/1PH  
 VOLTAGE OPTION 2:.....230-460V/3PH  
 VOLTAGE OPTION 3:.....575V/3PH

## FEATURES:

1. AIR/HYDRAULIC CONTROL
2. CLEAR FLOOR
3. NO OVERHEAD BEAM
4. NO EQUALIZING CABLES
5. LOW PROFILE ARMS
6. GEARED ARM RESTRAIN WITH SINGLE POINT LOCK AND RELEASE.
7. COMES WITH A SET OF HEIGHT ADAPTERS (3", 6" AND 9")



DWN  
JK  
APPR.  
KK

**PKS**

DATE

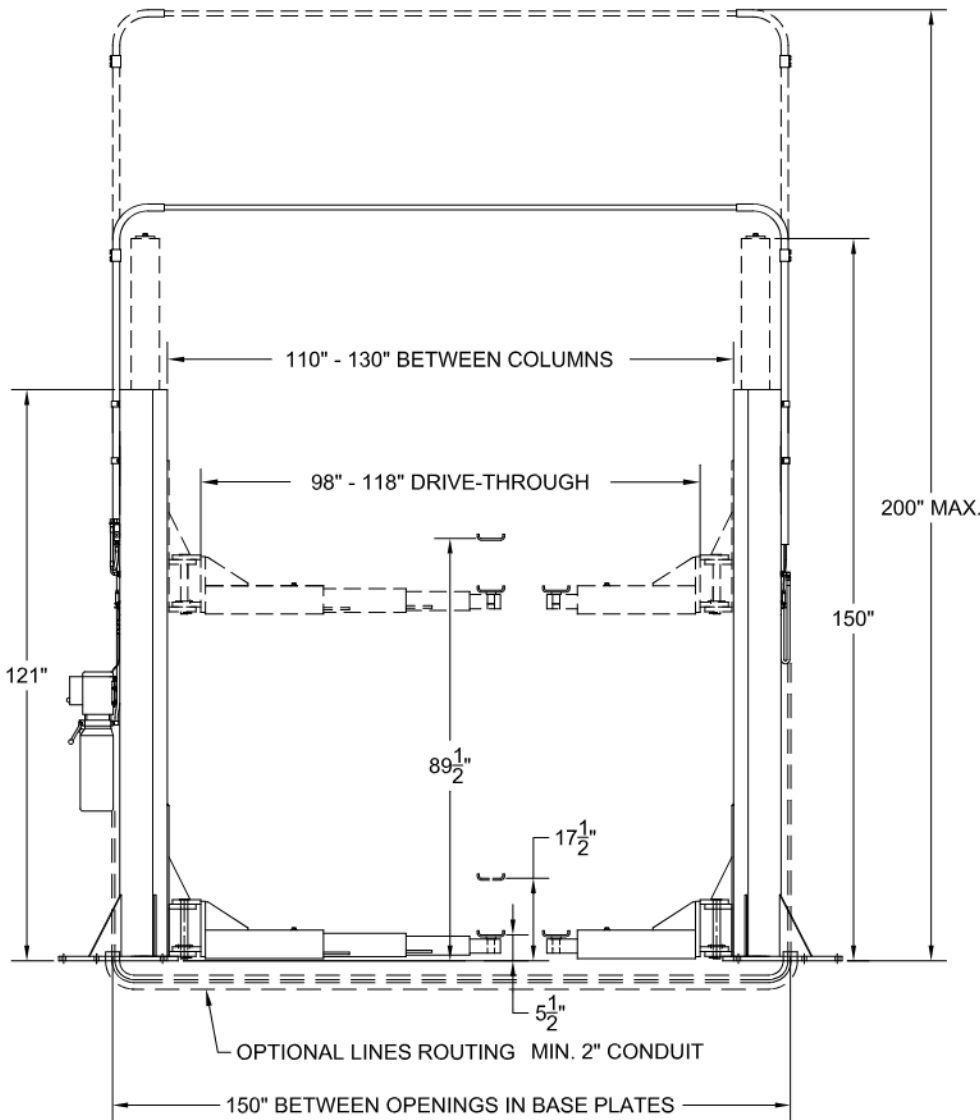
MAY 01/2017

DWG

**PK18-SPEC-1**

**A**

# TWO-POST LIFT MODEL: PK20

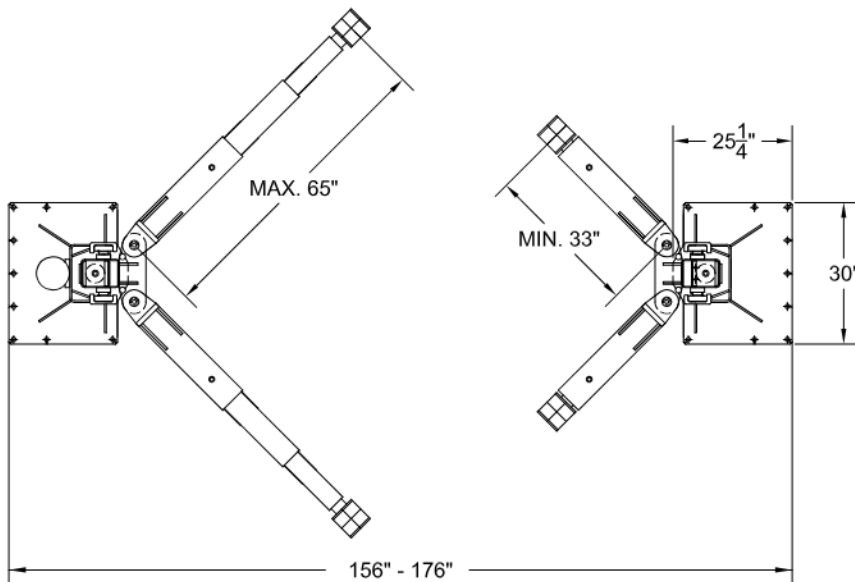


CAPACITY:.....20,000 LBS  
 RISE:.....89 -1/2"  
 MINIMUM CEILING HEIGHT REQ'D:.... 160"  
 MOTOR:.....3 HP  
 VOLTAGE OPTION 1:..... 208-230V/1PH  
 VOLTAGE OPTION 2:..... 230-460V/3PH  
 VOLTAGE OPTION 3:..... 575V/3PH



## FEATURES:

1. AIR/HYDRAULIC CONTROL
2. CLEAR FLOOR
3. NO OVERHEAD BEAM
4. NO EQUALIZING CABLES
5. LOW PROFILE ARMS
6. GEARED ARM RESTRAIN WITH SINGLE POINT LOCK AND RELEASE.
7. COMES WITH A SET OF HEIGHT ADAPTERS (3", 6" AND 9")



DWN  
JK  
APPR.  
KK

**PKS**

DATE

MAY 01/2017

DWG

**PK20-SPEC-1**

**A**