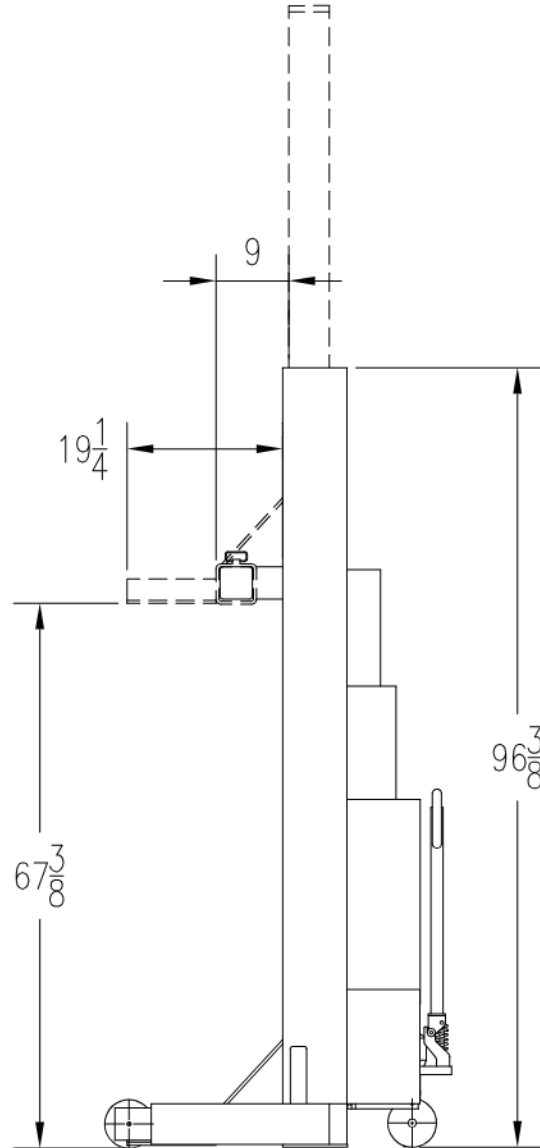
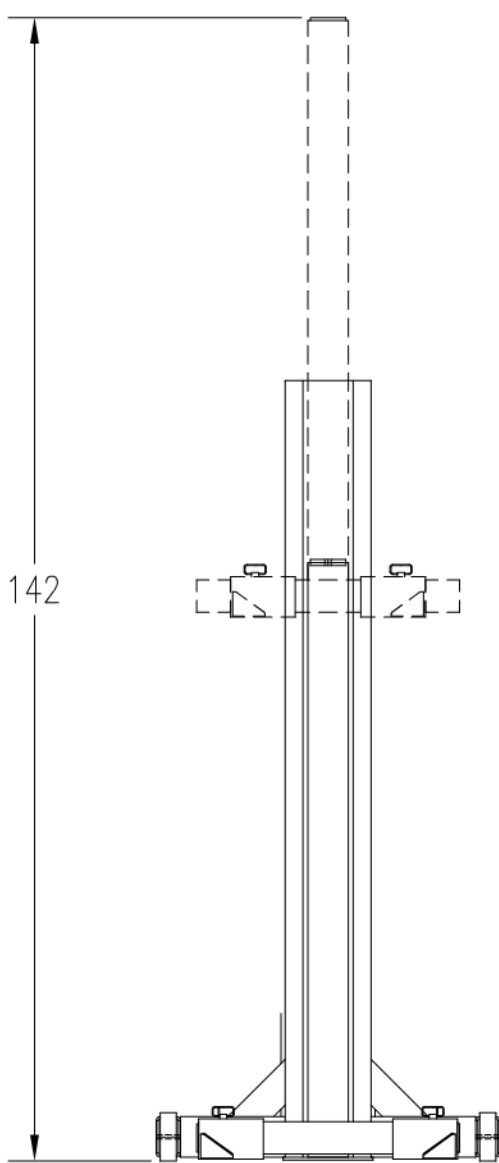


CAPACITY PER COLUMN - 12,000 lbs
 LIFTING HEIGHT UP TO 67"
 LIFTING SPEED - 46 seconds
 ELECTRIC/HYDRAULIC SYSTEM
 AUTOMATIC MULTI-POSITION MECHANICAL LOCK
 HYD. OPERATED THIRD WHEEL
 ADJUSTABLE FORKS (13" TO 23-1/2" INSIDE)



MOBILE LIFT COLUMN
 MODEL: PKMC12-PLC

P

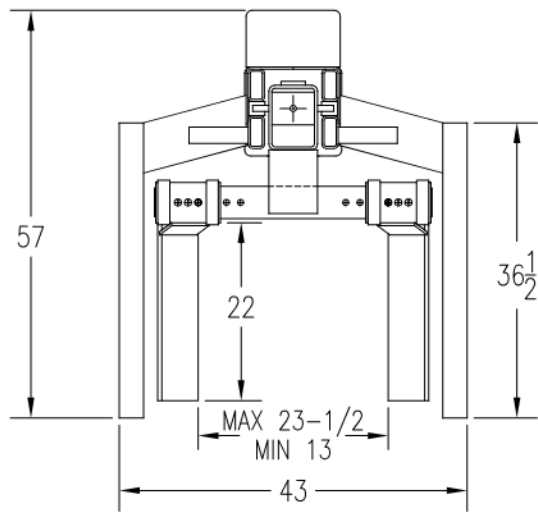
K

S

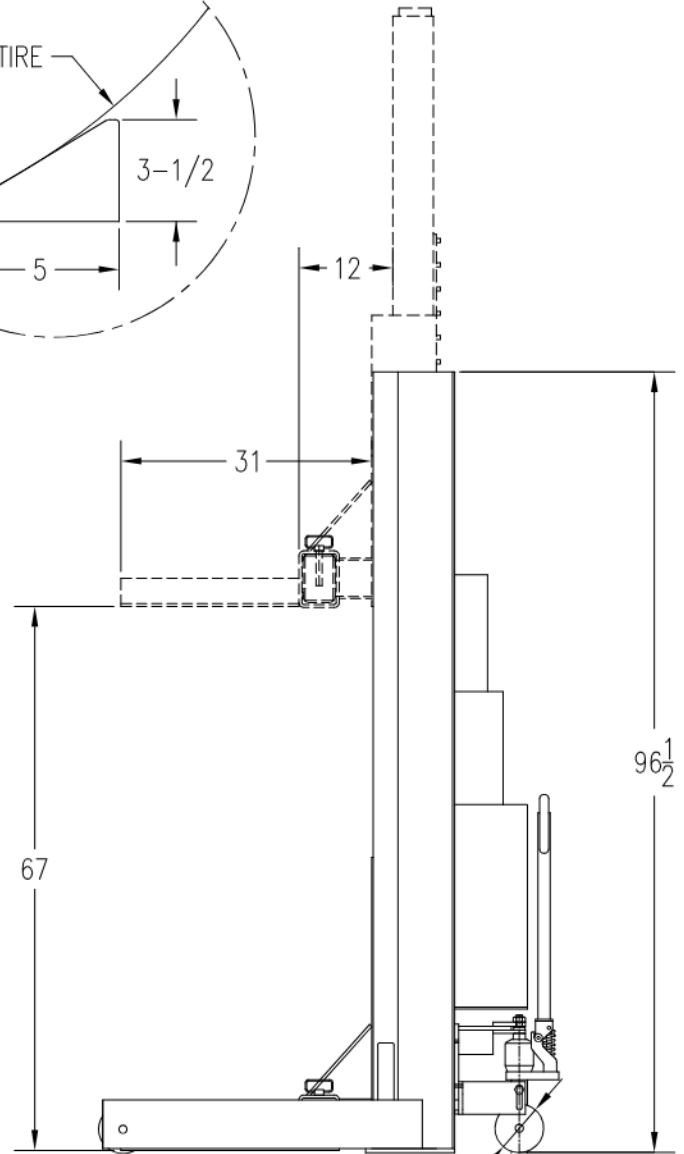
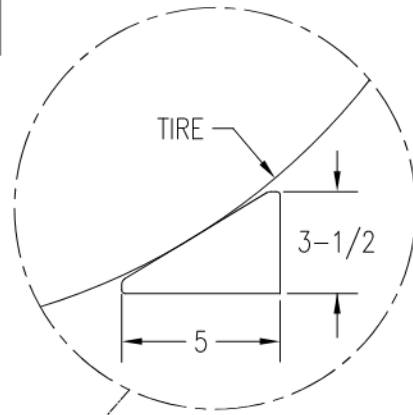
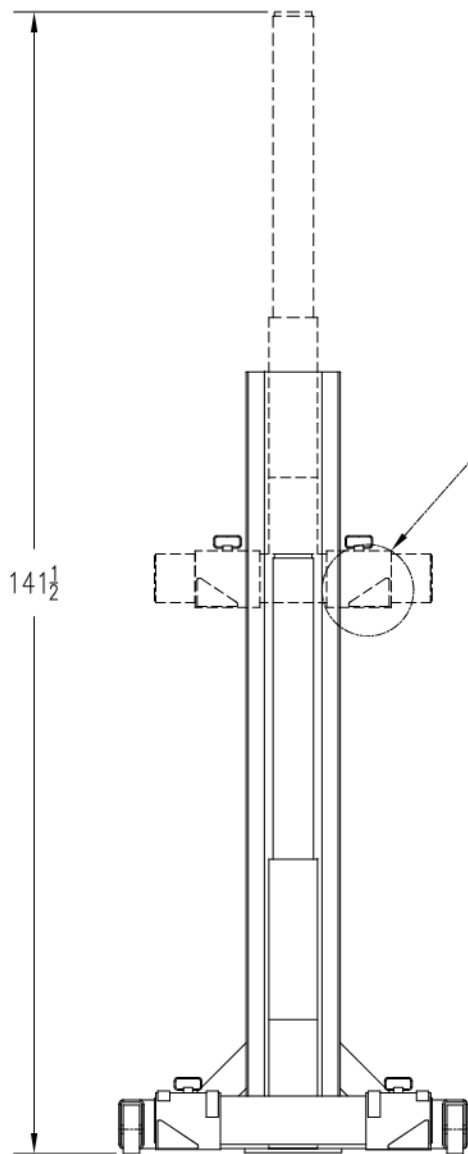
JULY 14/2008

PKMC12-PLC

A



CAPACITY PER COLUMN - 16,000 lbs
 LIFTING HEIGHT UP TO 67"
 LIFTING SPEED - 66 seconds
 ELECTRIC/HYDRAULIC SYSTEM
 AUTOMATIC MULTI-POSITION MECHANICAL LOCK
 HYD. OPERATED THIRD WHEEL
 ADJUSTABLE FORKS (13" TO 23-1/2" INSIDE)



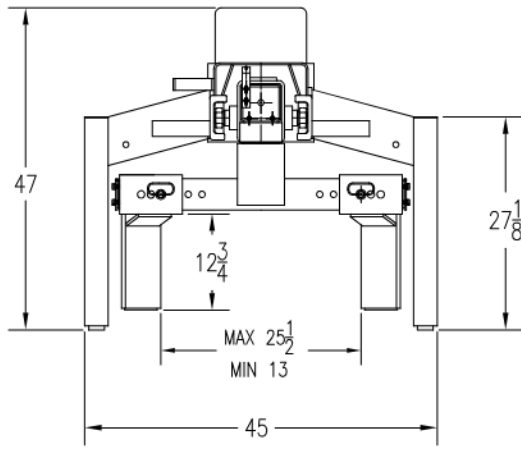
MOBILE LIFT COLUMN
 MODEL: PKMC16

P K S

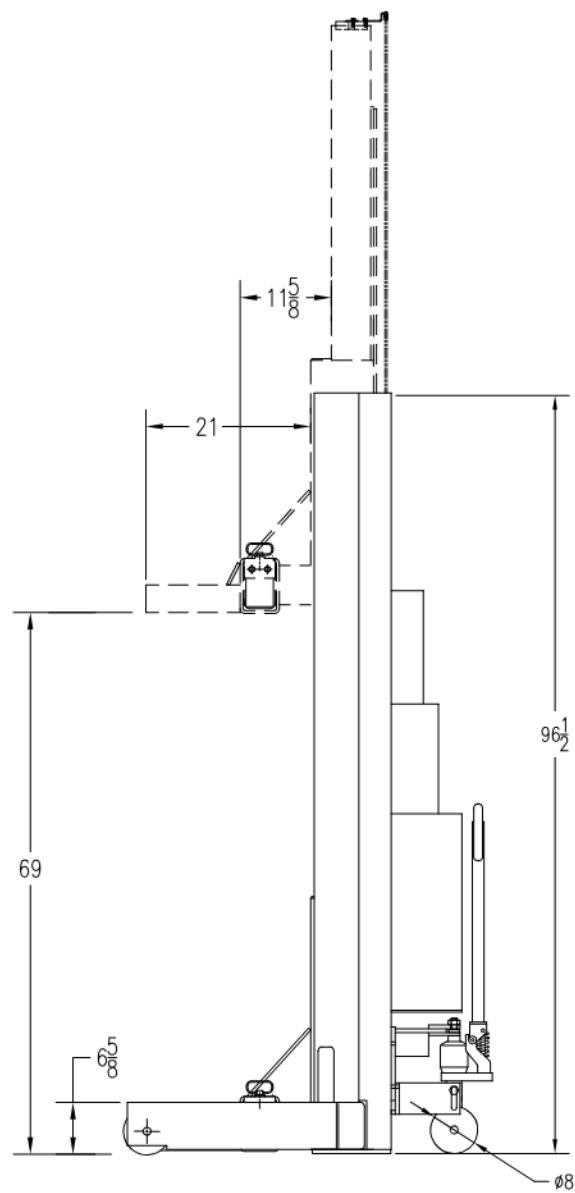
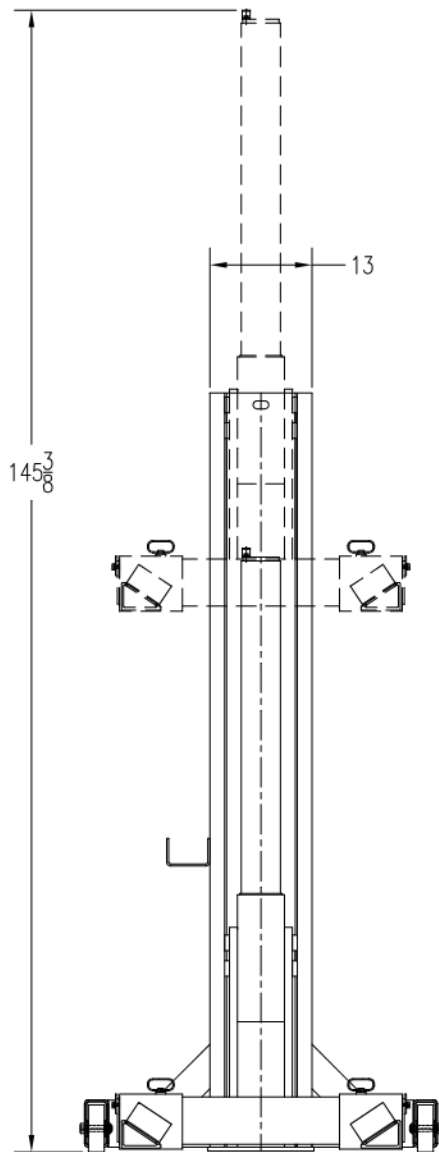
JAN.23/2003

PKMC16

A

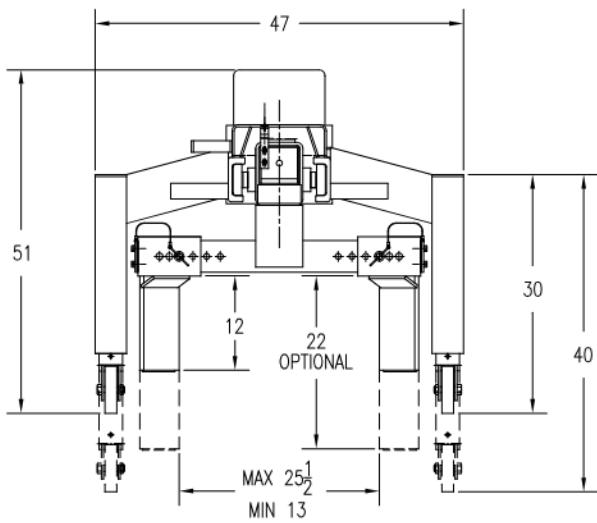


CAPACITY PER COLUMN - 18,000 lbs
 LIFTING HEIGHT UP TO 69"
 LIFTING SPEED - 69 seconds
 ELECTRIC/HYDRAULIC SYSTEM
 AUTOMATIC MULTI-POSITION MECHANICAL LOCK
 HYD. OPERATED THIRD WHEEL
 ADJUSTABLE FORKS (13" TO 25-1/2" INSIDE)
 STEEL ROLLERS, 7/8" THICK CHANNEL

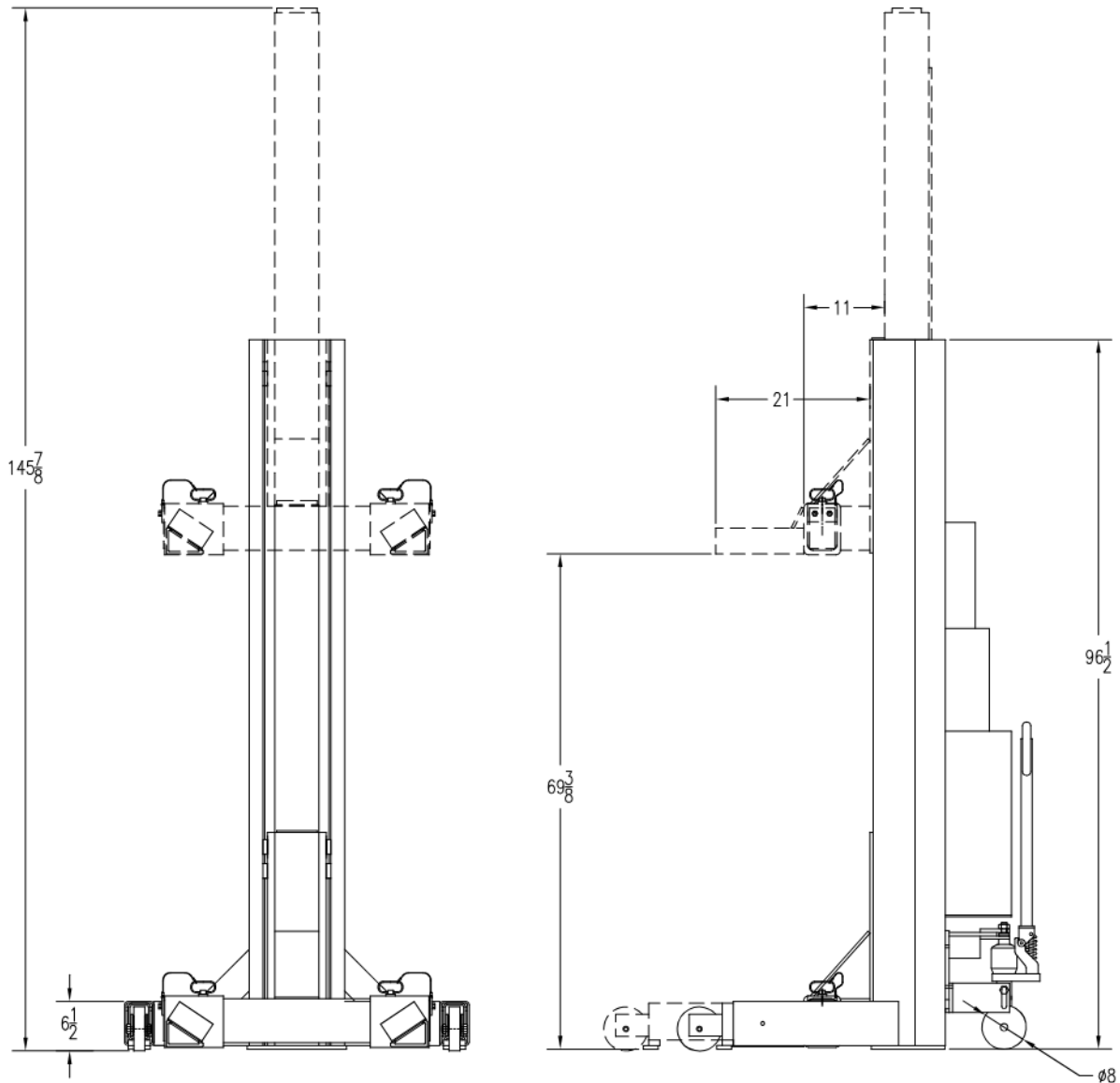


MOBILE LIFT COLUMN
 MODEL: PKMC18-PLC

DWN. KK	P	K	S	FEB.24/2005	M-18-69	A
APPR. KK						
KK						

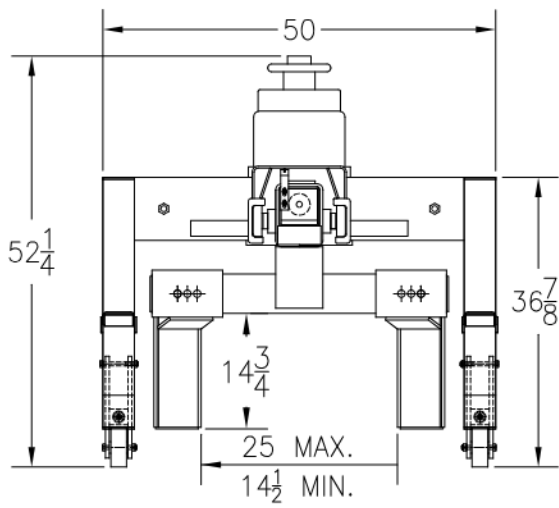


CAPACITY PER COLUMN - 20,000 lbs
 LIFTING HEIGHT UP TO 69"
 LIFTING SPEED - 68 seconds
 ELECTRIC/HYDRAULIC SYSTEM
 AUTOMATIC MULTI-POSITION MECHANICAL LOCK
 HYD. OPERATED THIRD WHEEL
 ADJUSTABLE FORKS (13" TO 25-1/2" INSIDE)
 SPRING LOADED FRONT WHEELS

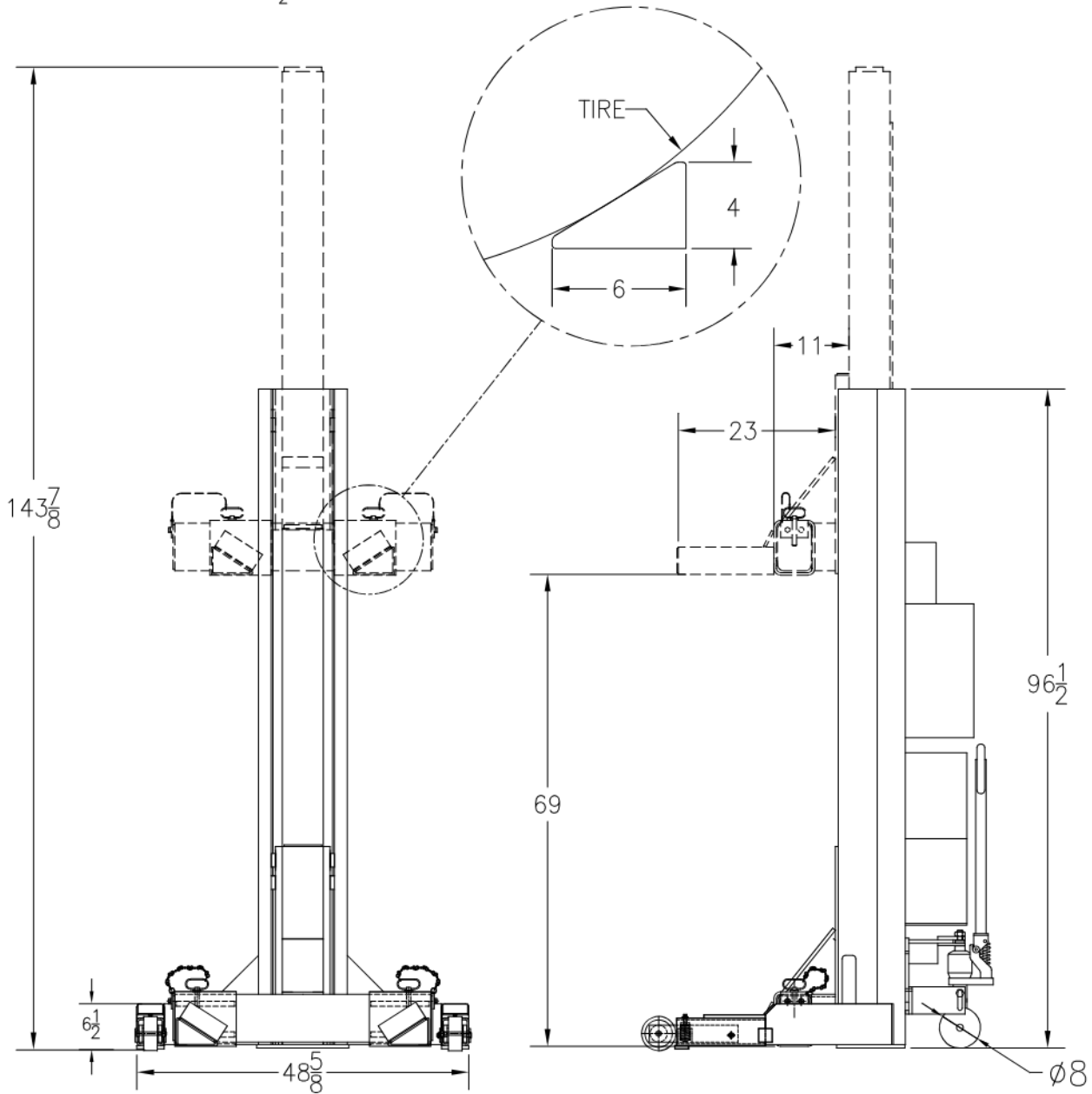


MOBILE LIFT COLUMN
 MODEL: PKMC-20-PLC

DWN. KK	P	K	S	JAN.24/2005	M-20-69	A
APPR. KK						
KK						

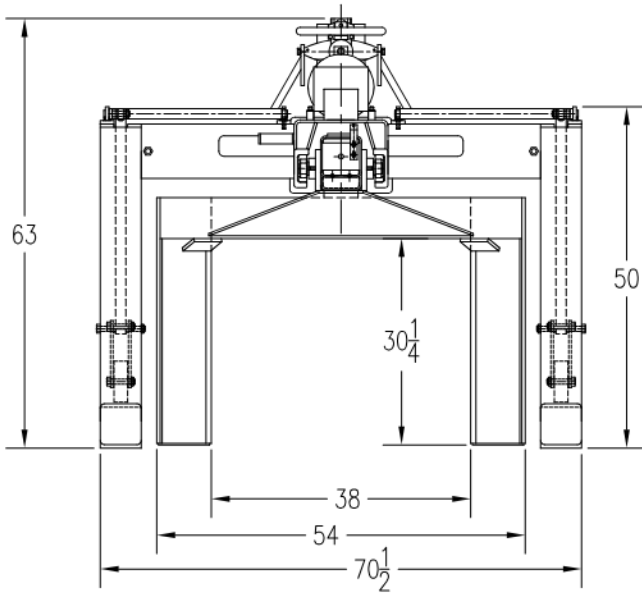


CAPACITY PER COLUMN - 24,000 lbs
 LIFTING HEIGHT UP TO 69"
 LIFTING SPEED - 90 seconds
 ELECTRIC/HYDRAULIC SYSTEM
 AUTOMATIC MULTI-POSITION MECHANICAL LOCK
 HYD. OPERATED THIRD WHEEL
 ADJUSTABLE FORKS (14-1/2" TO 25" INSIDE)

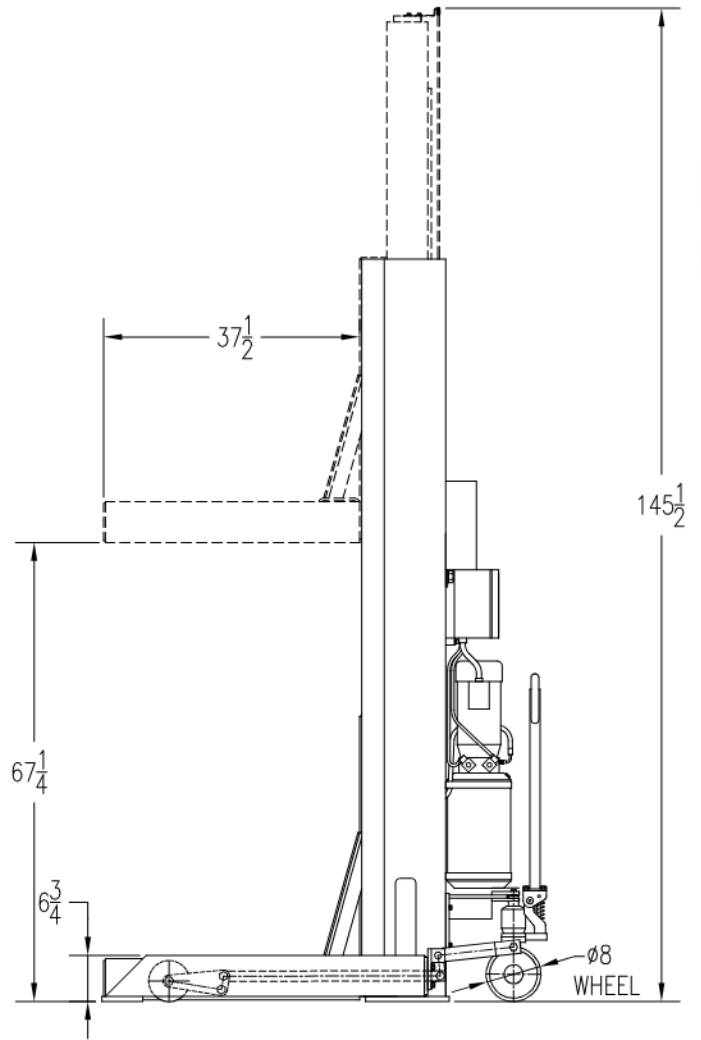
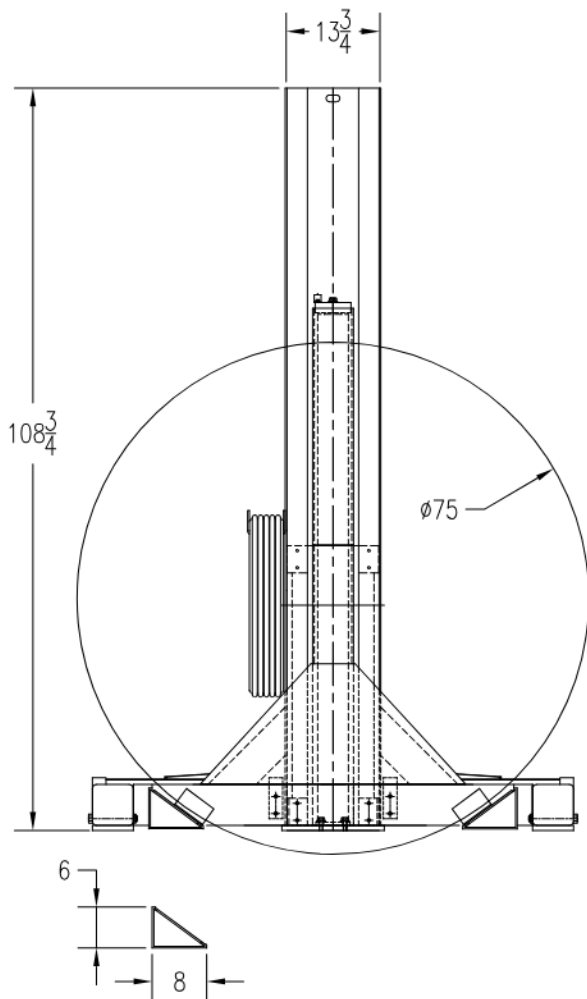


MOBILE LIFT COLUMN
 MODEL: PKMC24-PLC

DWN. JK	P	K	S	JULY 13/2011	PKMC24B	A
APPR. KK						



CAPACITY PER COLUMN – 26,000 LBS
 LIFTING HEIGHT UP TO 67”
 LIFTING SPEED – 120 seconds
 ELECTRIC/HYDRAULIC SYSTEM
 AUTOMATIC MULTI-POSITION MECHANICAL LOCK
 HYDRAULICALLY OPERATED WHEELS
 FORK LIFT MAST CHANNELS & ROLLERS

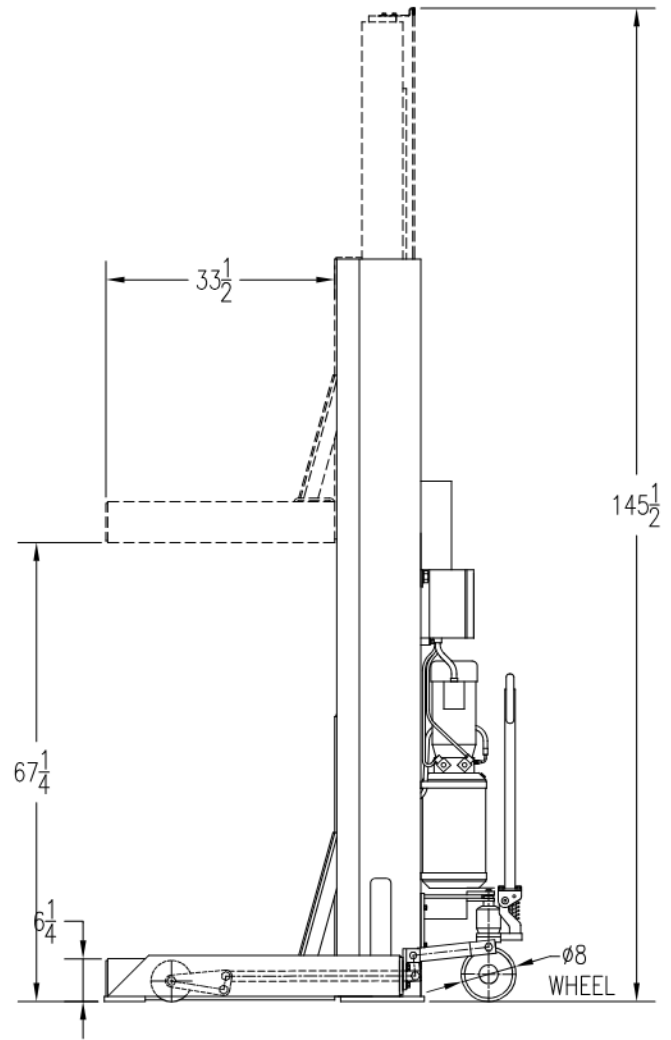
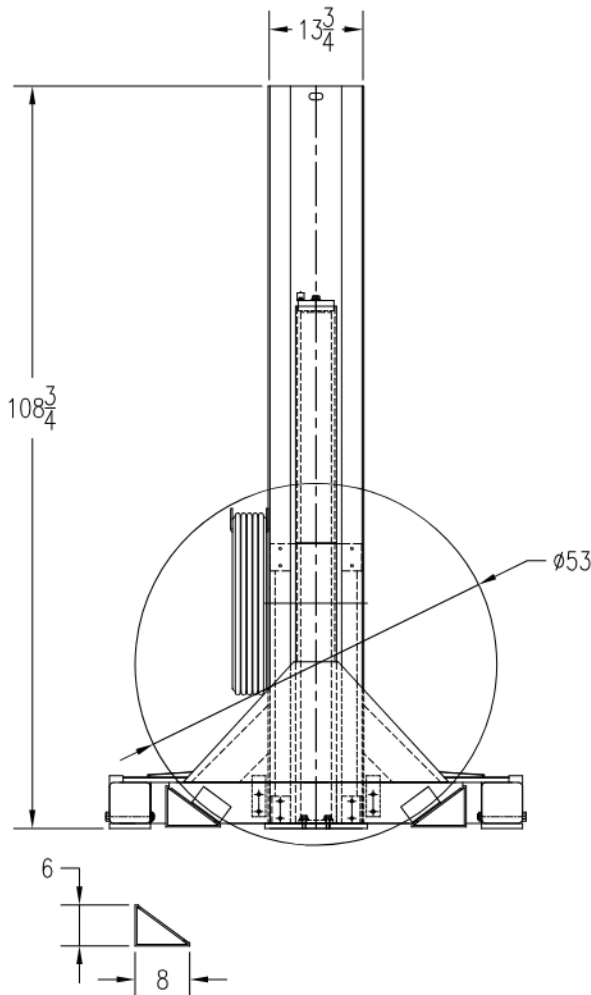
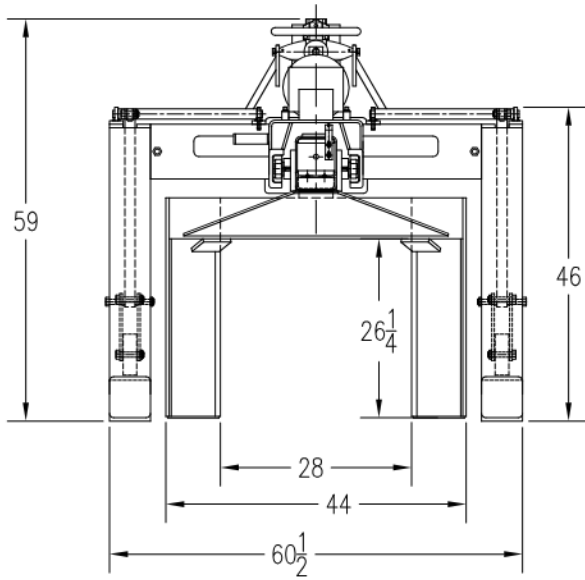


MOBILE LIFT COLUMN
 MODEL: PKMC26.75

文A

P	K	S	FEB.28/2011	PKMC-26.75	A
---	---	---	-------------	------------	---

CAPACITY PER COLUMN – 30,000 LBS
 LIFTING HEIGHT UP TO 67”
 LIFTING SPEED – 120 seconds
 ELECTRIC/HYDRAULIC SYSTEM
 AUTOMATIC MULTI-POSITION MECHANICAL LOCK
 HYDRAULICALLY OPERATED WHEELS
 FORK LIFT MAST CHANNELS & ROLLERS

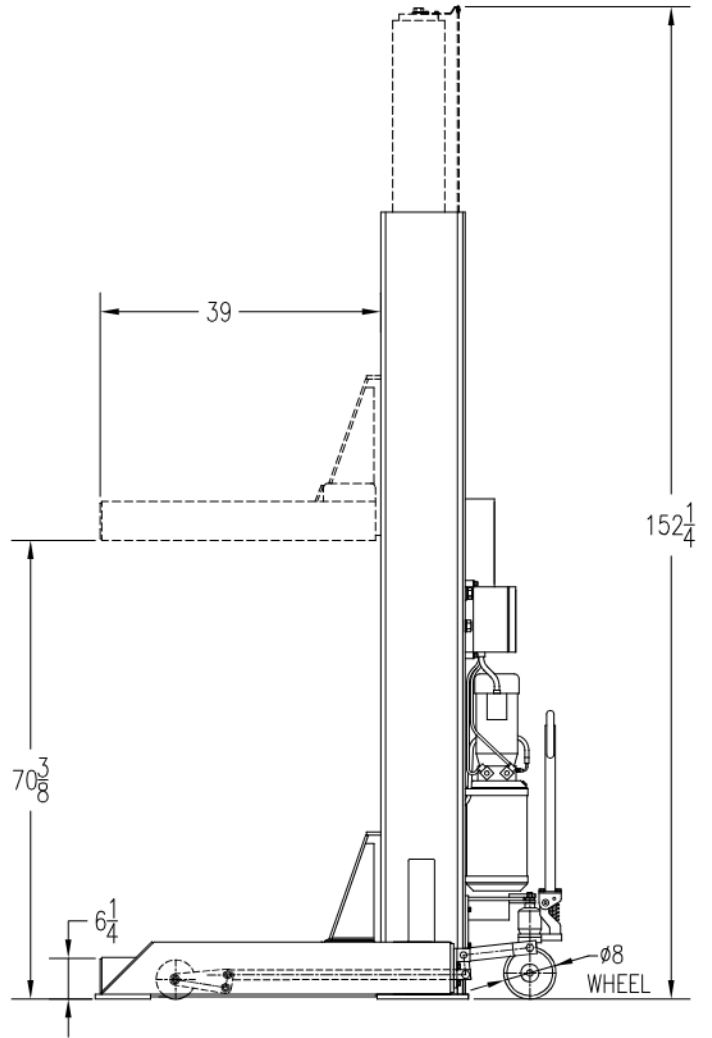
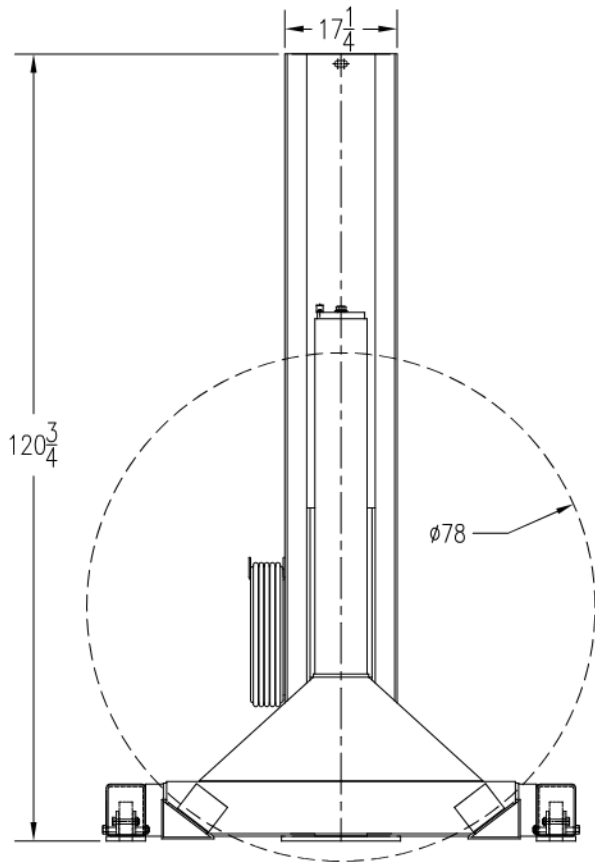
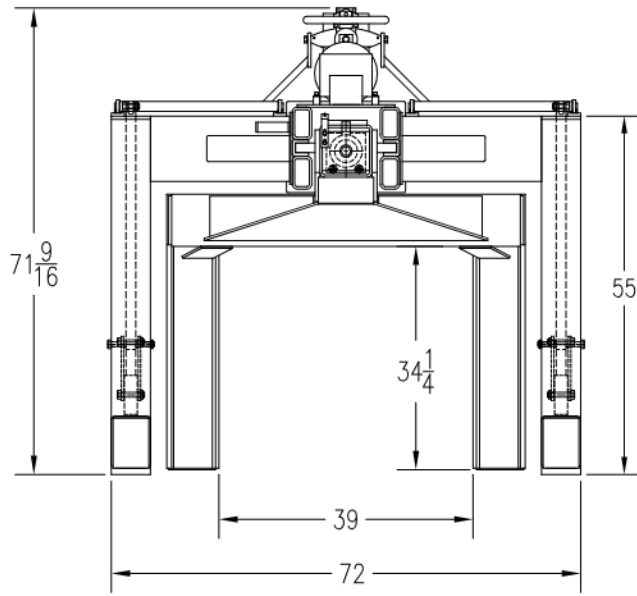


MOBILE LIFT COLUMN
 MODEL: PKMC-30.53

文A

P	K	S	OCT.05/2010	PKMC-30.53	A
---	---	---	-------------	------------	---

CAPACITY PER COLUMN – 40,000 lbs
 LIFTING HEIGHT UP TO 70”
 LIFTING SPEED – 120 seconds
 ELECTRIC/HYDRAULIC SYSTEM
 AUTOMATIC MULTI-POSITION MECHANICAL LOCK
 HYD. OPERATED THIRD WHEEL
 MAX. WHEEL DIA. – 78”



文A

MOBILE LIFT COLUMN
 MODEL: PKMC40.78.34

P	K	S	JAN.08/2009	PKMC40-78.34	A
---	---	---	-------------	--------------	---