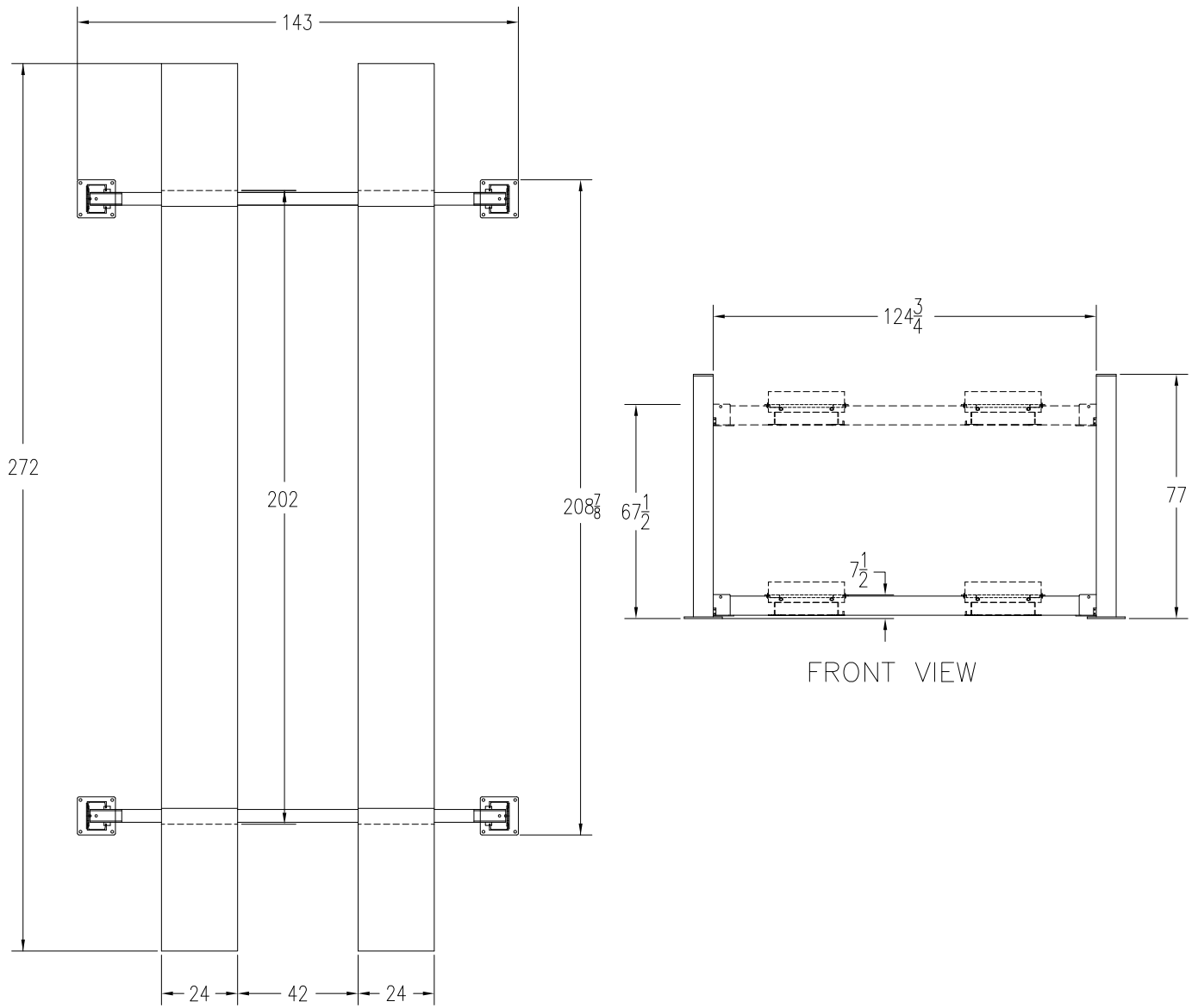


FOUR POST LIFT PK15-4-202-S-DT

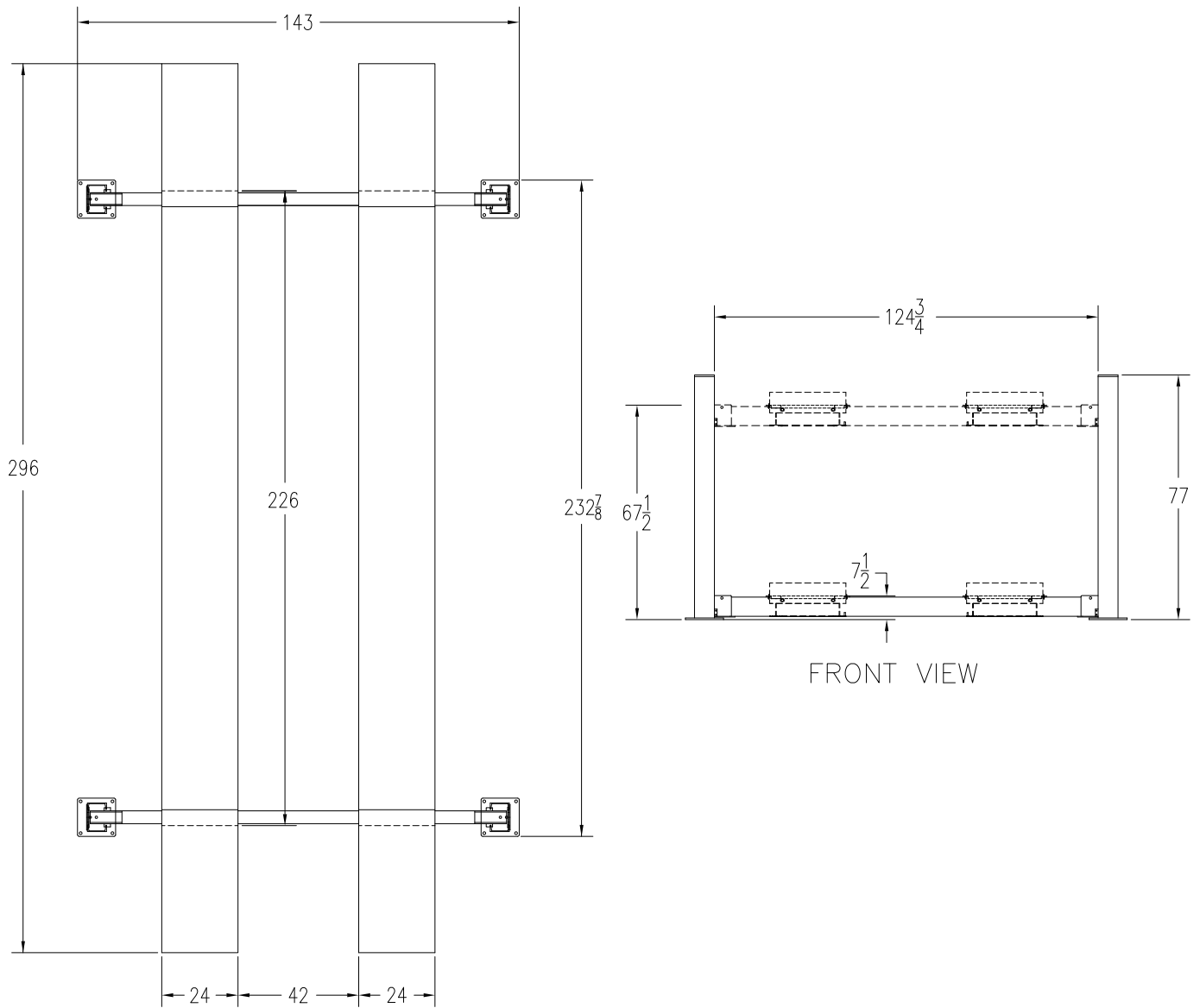


SPECIFICATION

CAPACITY	15,000 LBS	RUNWAY LENGTH	202"
WHEELBASE	178"	RUNWAY HEIGHT	7-1/2"
INSIDE COLUMN CLEARANCE	124-3/4"	RUNWAY WIDTH	24"
MECHANICAL SAFETY LOCK ON EACH COLUMN		OVERALL HEIGHT	77"
ELECTRICAL 2HP 208-230 V, SINGLE PHASE		OVERALL WIDTH	143"
OPTIONAL 208-230 V, 3PH		OVERALL LIFTING HEIGHT	67-1/2"
SPEED OF RISE	60 SEC.	OPTIONAL - ROLLING JACKING BEAM	

P K S	NOV.22/2010	DWG	FIG.01-202DT
			A

FOUR POST LIFT PK15-4-226-S-DT



SPECIFICATION

CAPACITY	15,000 LBS	RUNWAY LENGTH	226"
WHEELBASE	202"	RUNWAY HEIGHT	7-1/2"
INSIDE COLUMN CLEARANCE	124-3/4"	RUNWAY WIDTH	24"
MECHANICAL SAFETY LOCK ON EACH COLUMN		OVERALL HEIGHT	77"
ELECTRICAL	2HP 208-230 V, SINGLE PHASE	OVERALL WIDTH	143"
OPTIONAL	208-230 V, 3PH	OVERALL LIFTING HEIGHT	67-1/2"
SPEED OF RISE	60 SEC.	OPTIONAL - ROLLING JACKING BEAM	

P	K	S	NOV.22/2010	DWG	FIG.01-226DT	A
---	---	---	-------------	-----	--------------	---

SPECIFICATION

CAPACITY		15,000 LBS
FOUR COLUMNS C/W SAFETY DEVICES (MECHANICAL/AIR)		
POWER UNIT	STANDARD	2HP, 1PH, 230V
C/W EL. MOTOR	OPTIONAL	2HP, 3PH, 230/460V
SPEED OF RISE		60 SEC.
ALIGNMENT RUNWAY	LENGTH	202" (226")
2 PCS	WIDTH	24"
	HEIGHT	7-1/8"
	WHEELBASE	178"
	LIFTING HEIGHT	67-1/2"
INSIDE COLUMN CLEARANCE		124-3/4"
OVERALL		
	HEIGHT	77"
	WIDTH	143"
	LENGTH	240-1/2"
OPTIONAL - ROLLING JACKING BEAM		

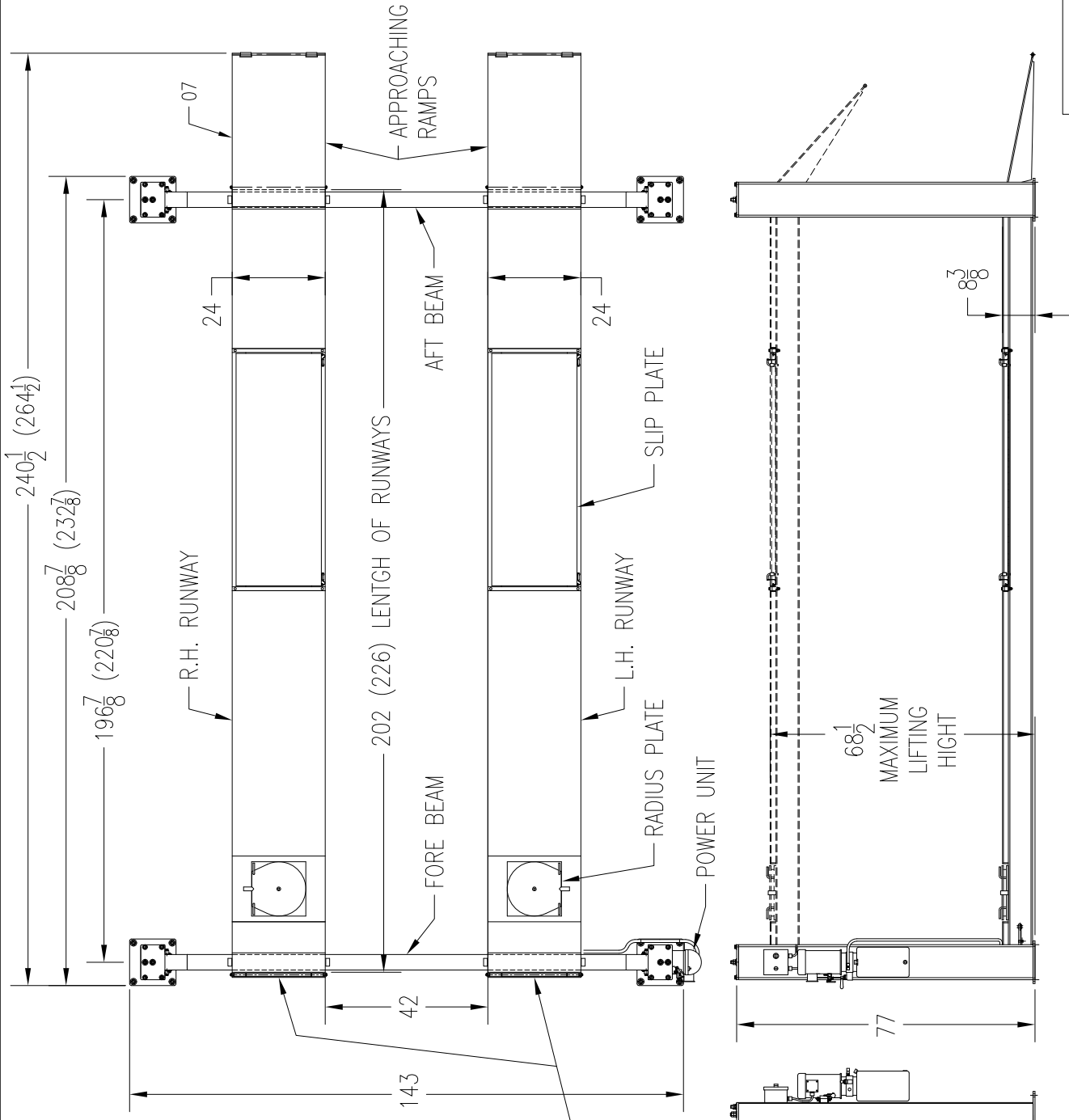


FIG.01

SPECIFICATION

CAPACITY	15,000 LBS	
FOUR COLUMNS C/W SAFETY DEVICES (MECHANICAL/AIR)	STANDARD 2HP, 1PH, 230V	
POWER UNIT C/W EL. MOTOR	OPTIONAL 2HP, 3PH, 230/460V	
RUNWAY 2 PCS	SPEED OF RISE	60 SEC.
	LENGTH	202" (226")
	WIDTH	24"
	HEIGHT	7'-1/8"
	WHEELBASE	178"
INSIDE COLUMN CLEARANCE	124-3/4"	
OVERALL	HEIGHT	77"
	WIDTH	143"
	LENGTH	240-1/2"
OPTIONAL - ROLLING JACKING BEAM		

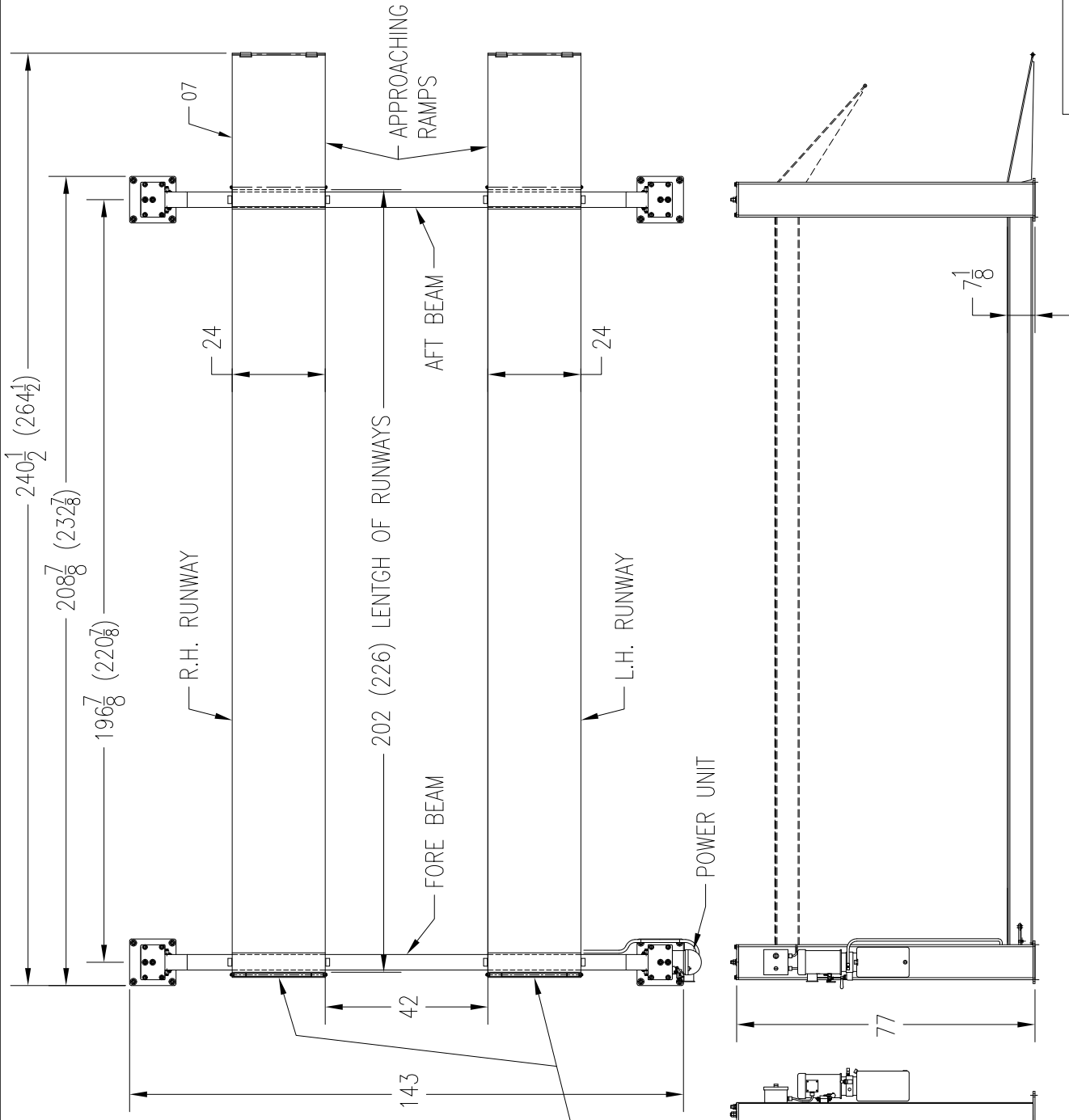
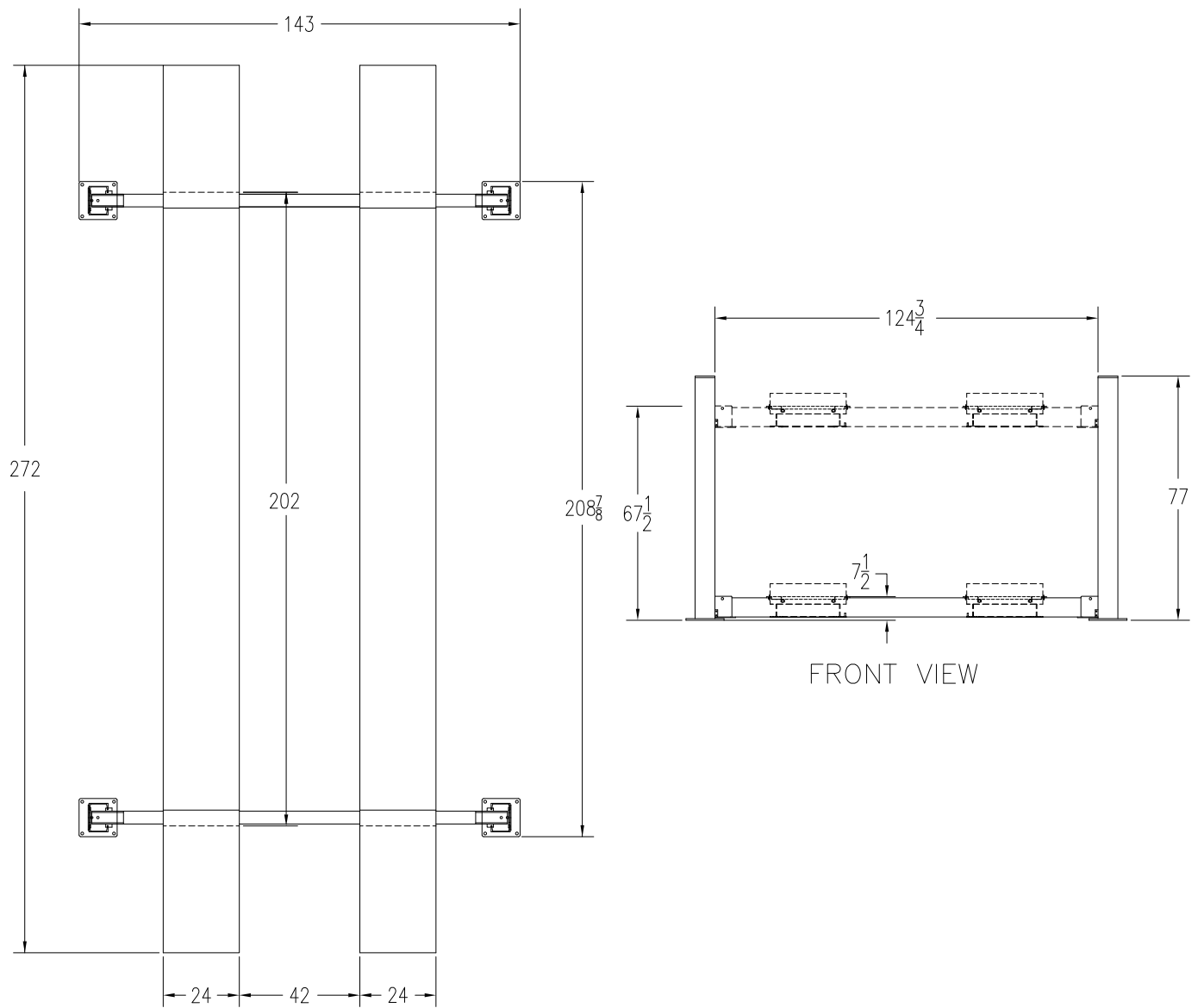


FIG.01

FOUR POST LIFT PK18-4-202-S-DT

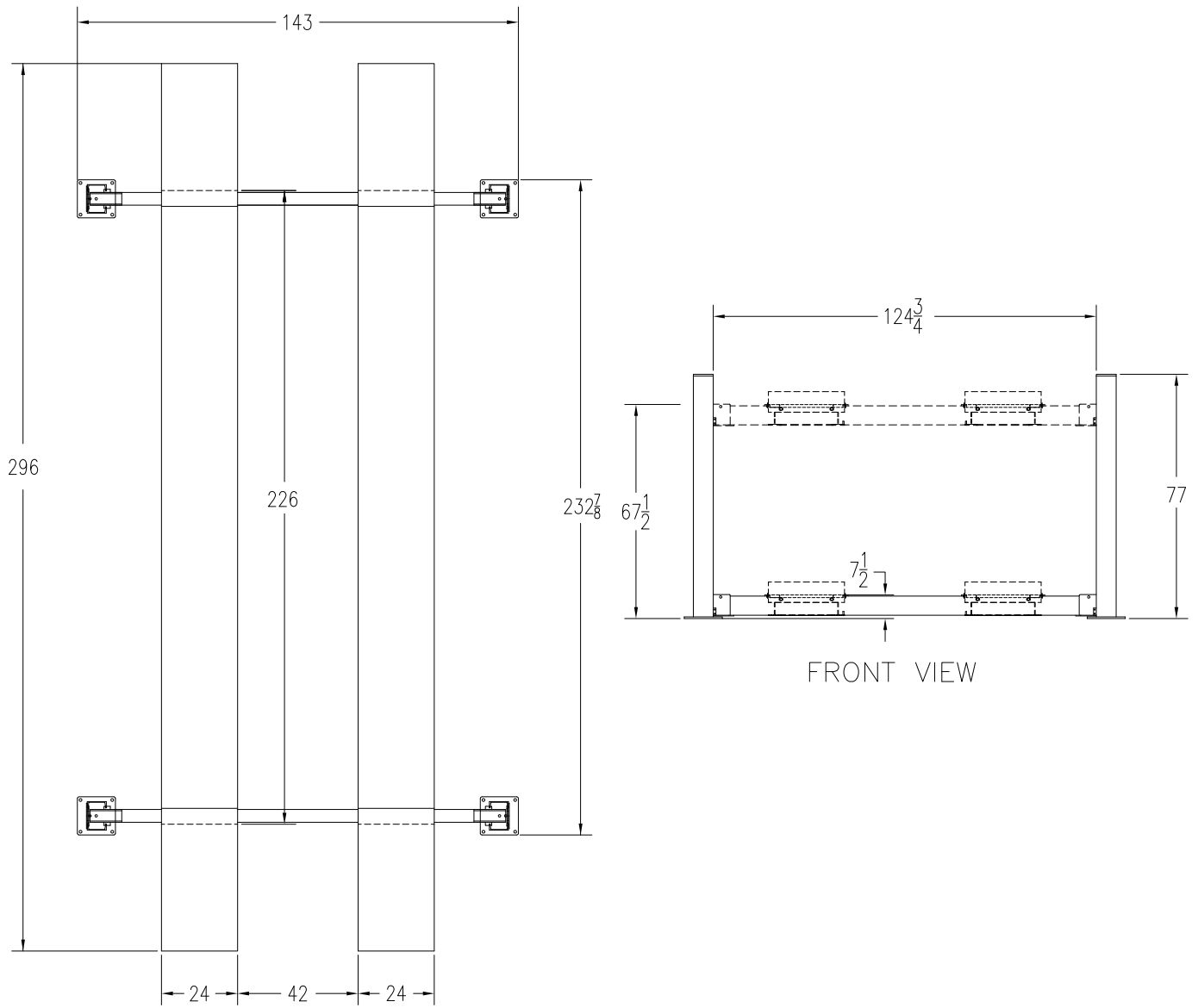


SPECIFICATION

CAPACITY	18,000 LBS	RUNWAY LENGTH	202"
WHEELBASE	178"	RUNWAY HEIGHT	7-1/2"
INSIDE COLUMN CLEARANCE	124-3/4"	RUNWAY WIDTH	24"
MECHANICAL SAFETY LOCK ON EACH COLUMN		OVERALL HEIGHT	77"
ELECTRICAL 2HP 208-230 V, SINGLE PHASE		OVERALL WIDTH	143"
OPTIONAL 208-230 V, 3PH		OVERALL LIFTING HEIGHT	67-1/2"
SPEED OF RISE	60 SEC.	OPTIONAL - ROLLING JACKING BEAM	

P	K	S	NOV.22/2010	DWG	FIG.01-202DT	A
---	---	---	-------------	-----	--------------	---

FOUR POST LIFT PK18-4-226-S-DT



SPECIFICATION

CAPACITY	18,000 LBS	RUNWAY LENGTH	226"
WHEELBASE	202"	RUNWAY HEIGHT	7-1/2"
INSIDE COLUMN CLEARANCE	124-3/4"	RUNWAY WIDTH	24"
MECHANICAL SAFETY LOCK ON EACH COLUMN		OVERALL HEIGHT	77"
ELECTRICAL	2HP 208-230 V, SINGLE PHASE	OVERALL WIDTH	143"
OPTIONAL	208-230 V, 3PH	OVERALL LIFTING HEIGHT	67-1/2"
SPEED OF RISE	60 SEC.	OPTIONAL - ROLLING JACKING BEAM	

P	K	S	NOV.22/2010	DWG	FIG.01-226DT	A
---	---	---	-------------	-----	--------------	---

SPECIFICATION

CAPACITY		18,000 LBS
FOUR COLUMNS C/W SAFETY DEVICES (MECHANICAL/AIR)		
POWER UNIT C/W EL. MOTOR	STANDARD	2HP, 1PH, 230V
	OPTIONAL	2HP, 3PH, 230/460V
SPEED OF RISE		60 SEC.
ALIGNMENT RUNWAY 2 PCS	LENGTH	202" (226")
	WIDTH	24"
	HEIGHT	7'-1/8"
	WHEELBASE	178"
	LIFTING HEIGHT	67'-1/2"
INSIDE COLUMN CLEARANCE		124'-3/4"
OVERALL	HEIGHT	77"
	WIDTH	143"
	LENGTH	240'-1/2"
OPTIONAL - ROLLING JACKING BEAM		

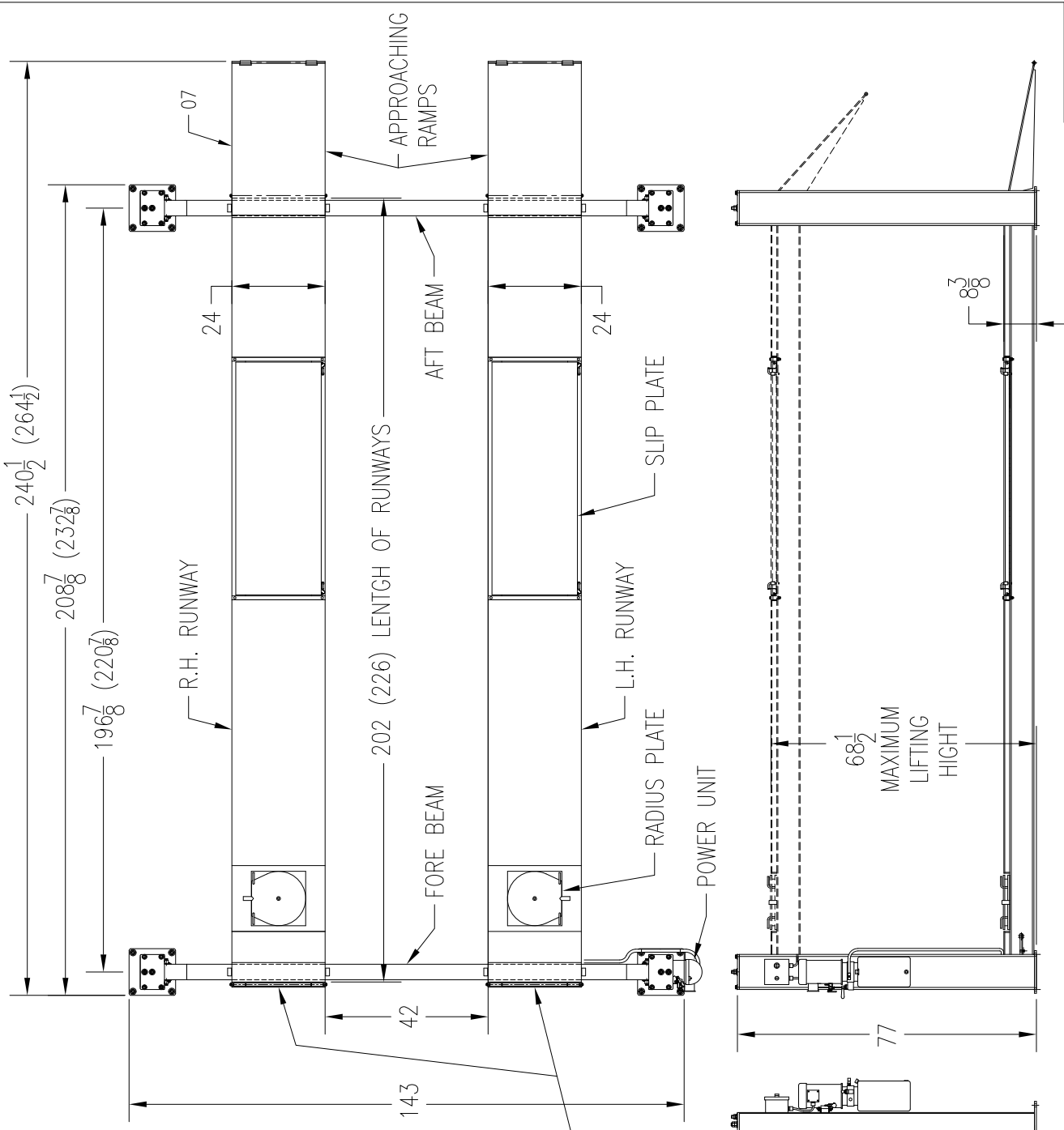


FIG.01

SPECIFICATION

CAPACITY		18,000 LBS
FOUR COLUMNS C/W SAFETY DEVICES (MECHANICAL/AIR)		
POWER UNIT C/W EL. MOTOR	STANDARD	2HP, 1PH, 230V
	OPTIONAL	2HP, 3PH, 230/460V
SPEED OF RISE		60 SEC.
RUNWAY 2 PCS	LENGTH	202" (226")
	WIDTH	24"
	HEIGHT	7'-1/8"
	WHEELBASE	178"
	LIFTING HEIGHT	67'-1/2"
INSIDE COLUMN CLEARANCE		124'-3/4"
OVERALL	HEIGHT	77"
	WIDTH	143"
	LENGTH	240'-1/2"
OPTIONAL - ROLLING JACKING BEAM		

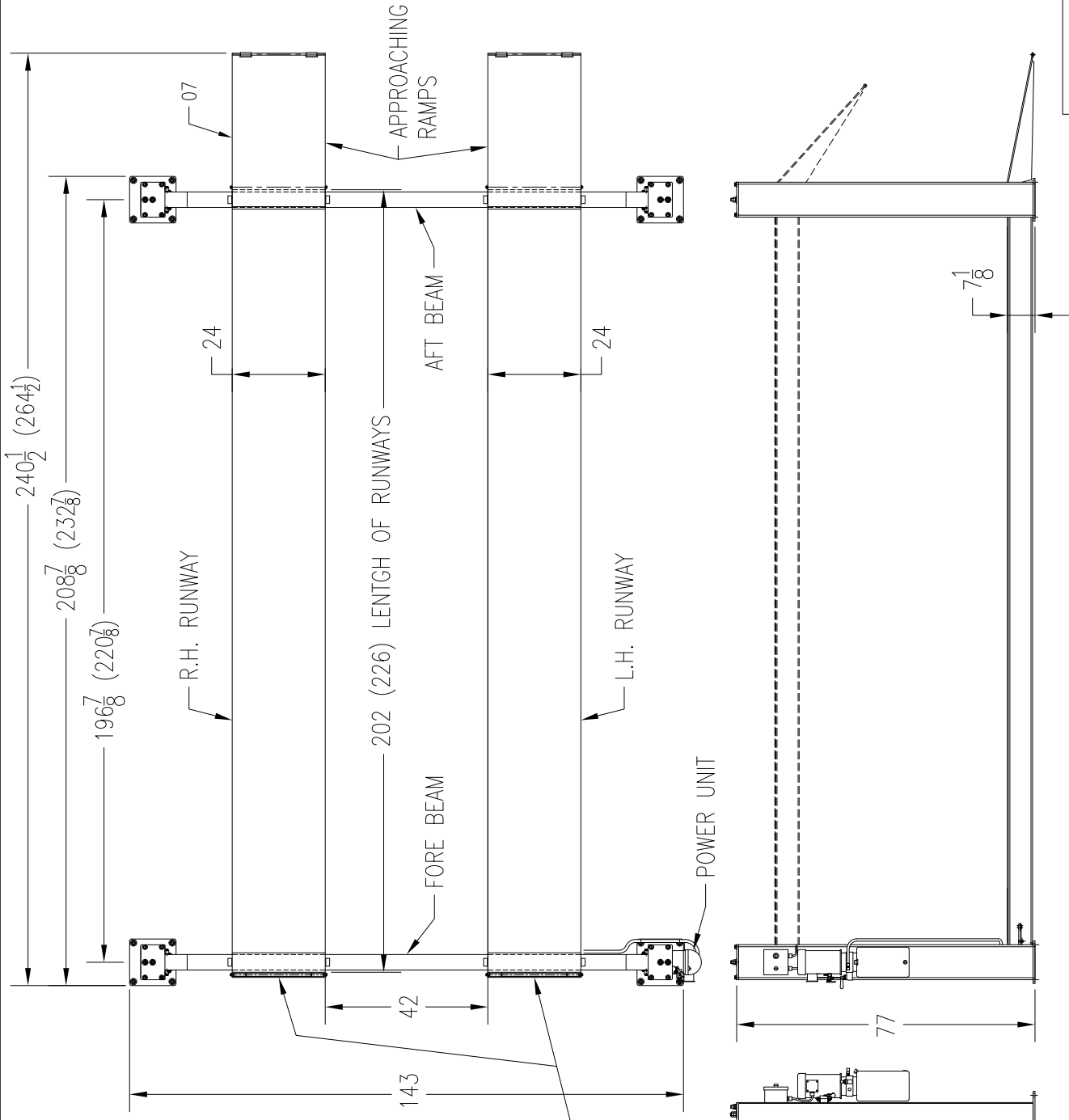


FIG.01